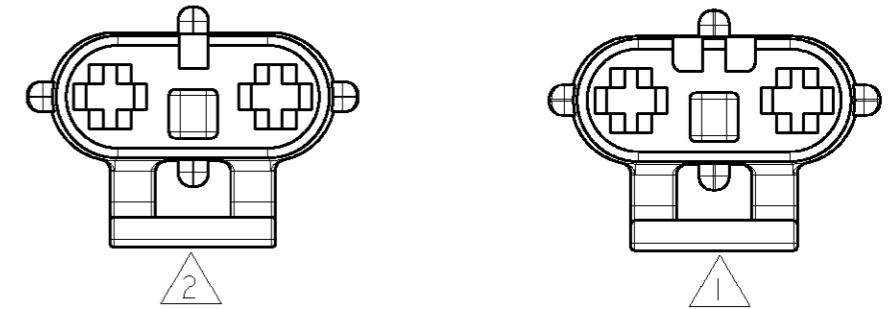
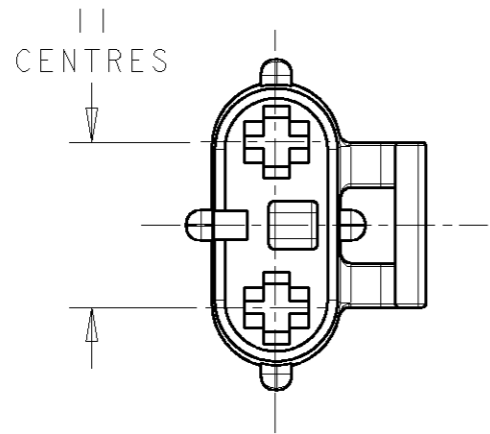
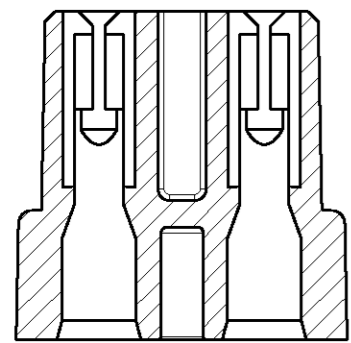


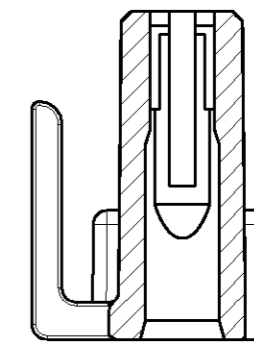
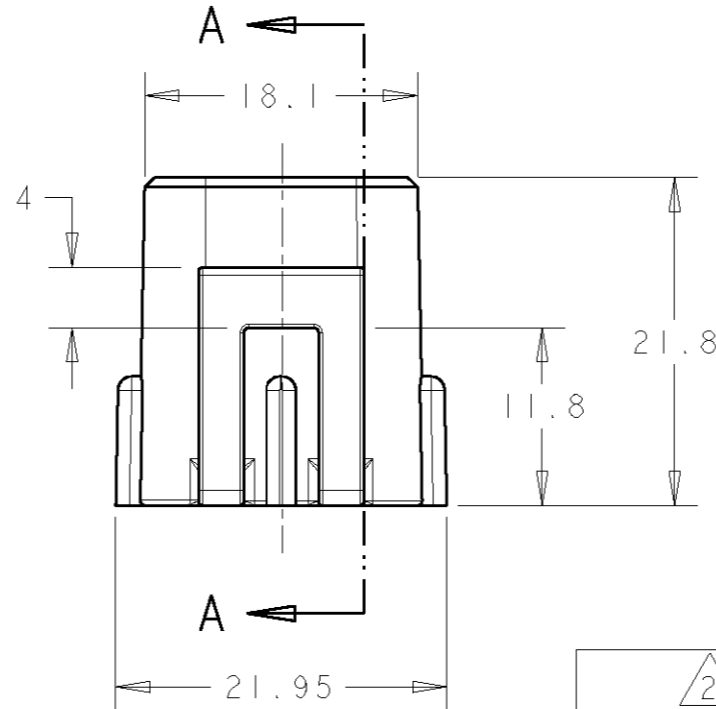
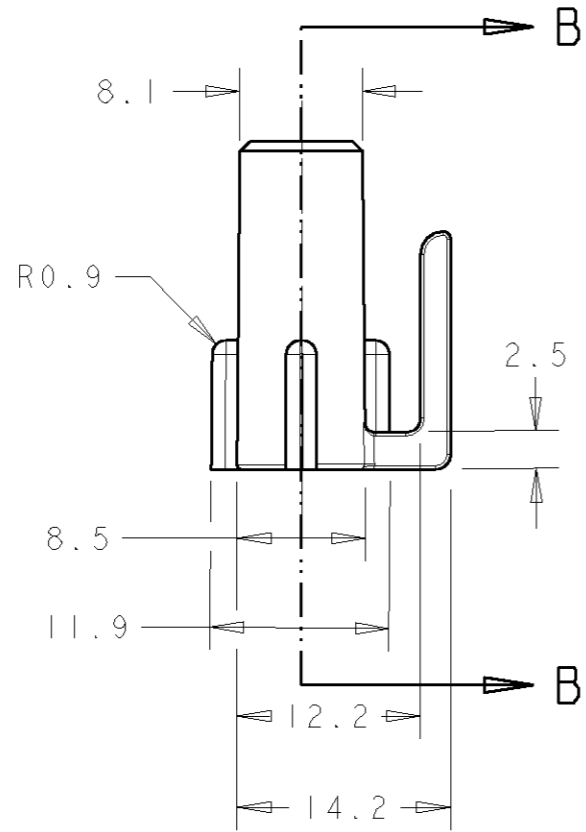
LOC	REVISIONS					
	P	LTR	DESCRIPTION	DATE	DWN	APVD
E	1		PRELIMINARY ISSUE	23.4.98	GL	RS
	3		EB00-0293-99	2.6.99	EAS	MJW
	0		EB00-0229-01	22/6/01	RL	BB



INHIBITION DETAIL
(SEE TABLE)



SECTION B-B



SECTION A-A

△2	NATURAL	2 POS. HSG.	PA46	699707-4
△2	BROWN	2 POS. HSG.	PA46	699707-3
△2	WHITE	2 POS. HSG.	PA66	699707-2
△1	BLACK	2 POS. HSG.	PA66	699707-1
INHIBITION	COLOUR	DESCRIPTION	MATERIAL	PART NUMBER

THIS DRAWING IS A CONTROLLED DOCUMENT FOR AMP INCORPORATED. IT IS SUBJECT TO CHANGE AND THE CONTROLLING ENGINEERING ORGANIZATION SHOULD BE CONTACTED FOR THE LATEST REVISION.		DWN G LANGRIDGE 23-Apr-98	AMP AMP of Great Britain Ltd, Stanmore, Middlesex, HA7 4RS.	
DIMENSIONS IN m.m	TOLERANCES UNLESS OTHERWISE SPECIFIED:	CHK R SIMMONS 23.4.98		
 THIRD ANGLE PROJECTION	LINEAR: - ±0.5 ANGULAR: - ±1°	APVD R SIMMONS 23.4.98	NAME 2 POS. RECEPTACLE HOUSING	
MATERIAL SEE TABLE	FINISH -	PRODUCT SPEC -	SIZE A3	CAGE CODE 00779
		APPLICATION SPEC -	DRAWING NO C-699707	
		WEIGHT -	SCALE 2:1	SHEET 1
		CUSTOMER DRAWING FOR REFERENCE ONLY	OF 1	REV 0