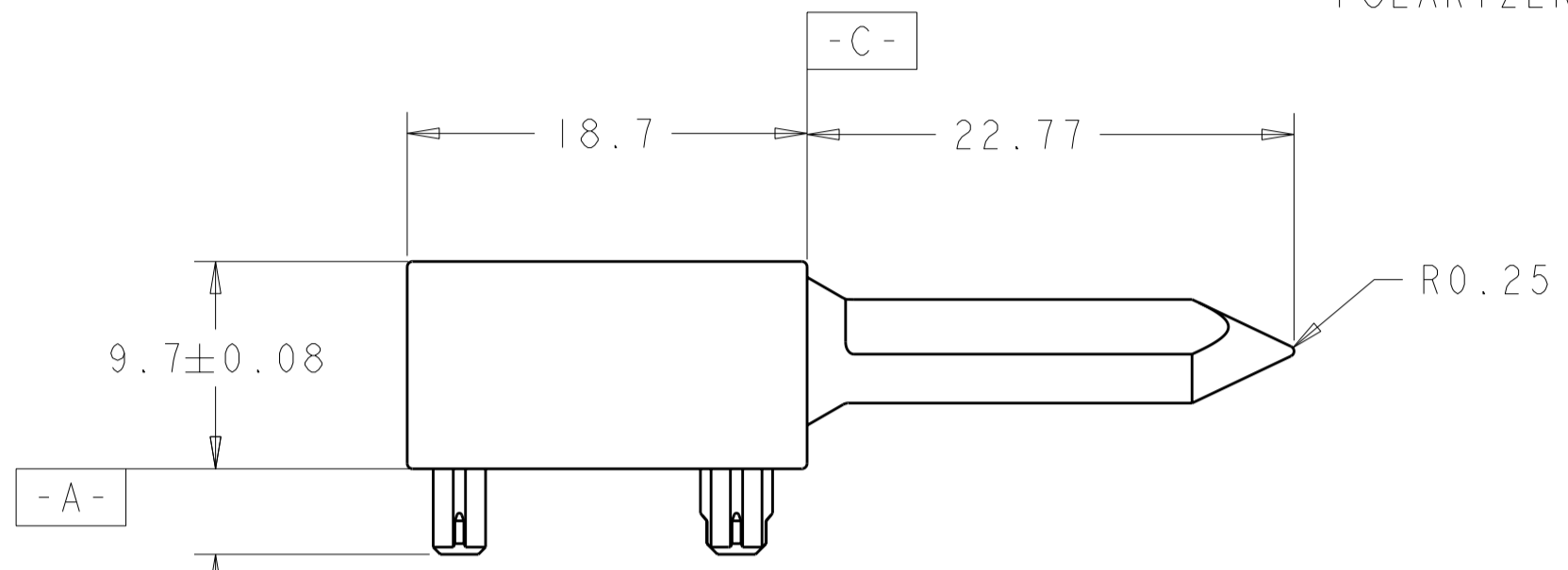
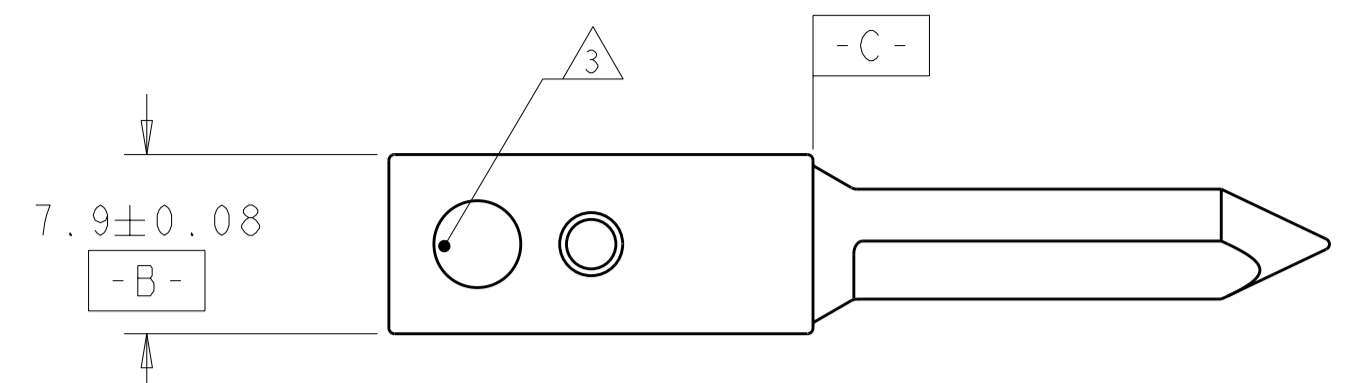
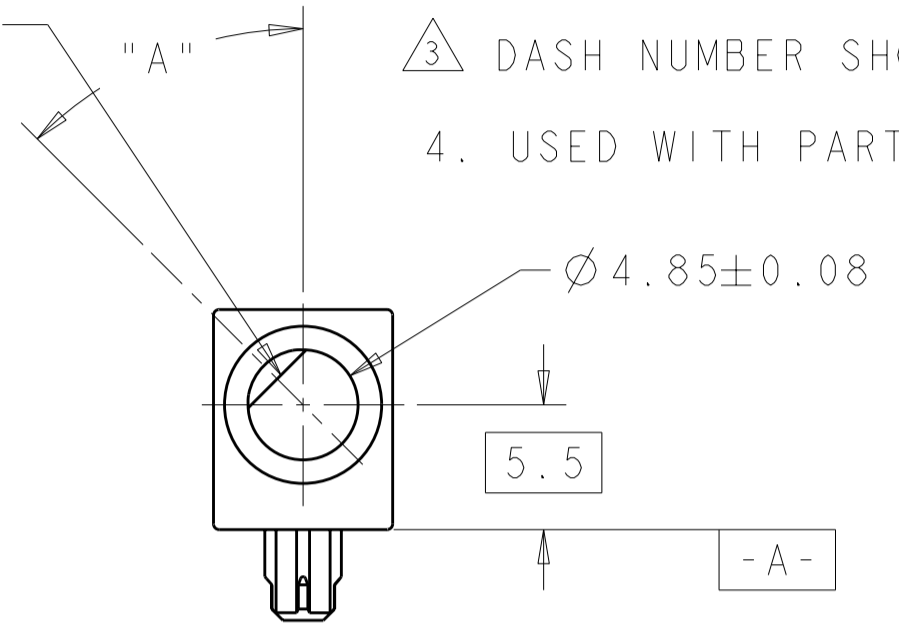


THIS DRAWING IS UNPUBLISHED. RELEASED FOR PUBLICATION 20  
 © COPYRIGHT 20 BY TYCO ELECTRONICS CORPORATION. ALL RIGHTS RESERVED.

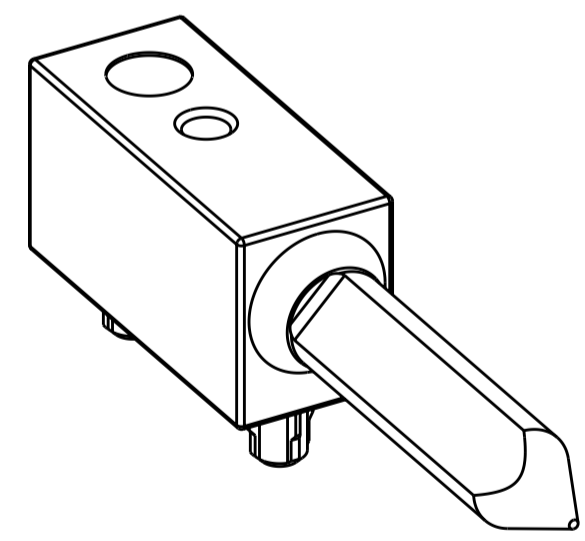
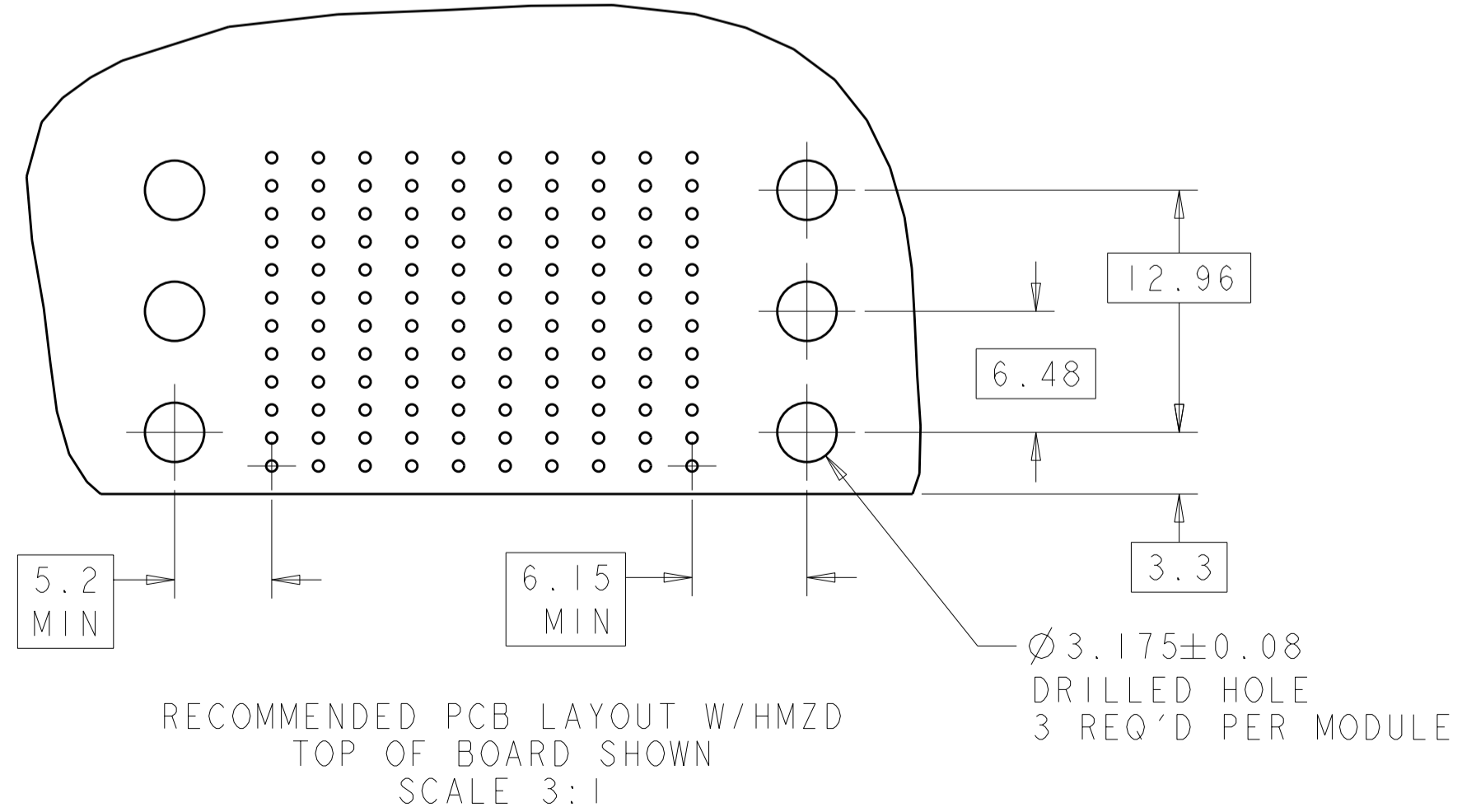
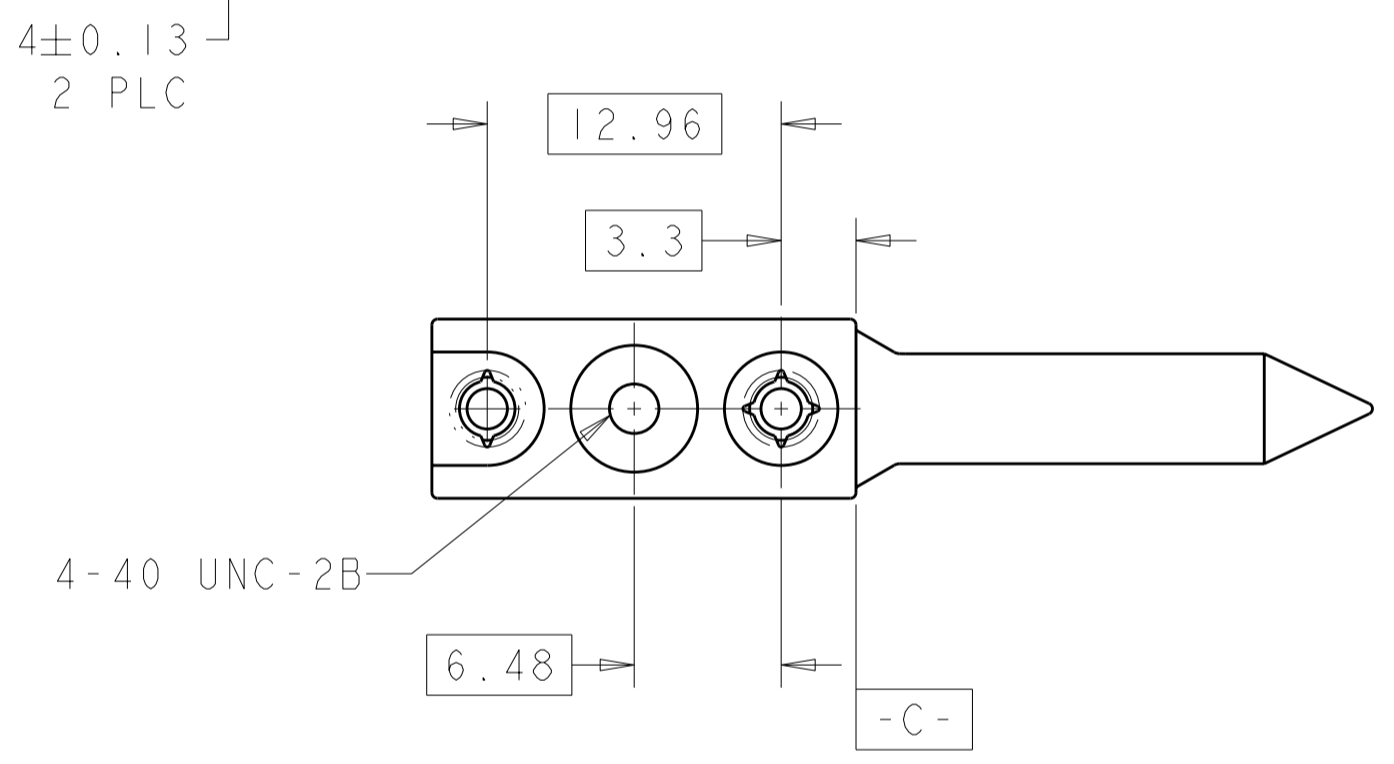
LOC	DIST	REVISIONS					
CG	00	P	LTR	DESCRIPTION	DATE	DWN	APVD
			O	RELEASED	31AUG2006	BC	RP
			O1	REV PER ECO-06-024628	12JAN2007	BC	RP
			A	REVISED PER ECO-08-023662	17NOV2008	DH	RP
			A1	REVISED PER ECO-10-016204	09AUG2010	DH	DY



POLARIZER NOTCH



- 1 MATERIAL: ZINC ALLOY DIE CAST, ZAMAK 3.
- 2 FINISH: CHROMATE CONVERSION COATING. ROHS COMPLIANT.
- 3 DASH NUMBER SHOWN THIS LOCATION.
- 4. USED WITH PART NUMBER 223986-X.



1469265-2 AS SHOWN

N/A (ROUND)	1469265-9
315°	1469265-8
270°	1469265-7
225°	1469265-6
180°	1469265-5
135°	1469265-4
90°	1469265-3
45°	1469265-2
0°	1469265-1
DIM A	PART NUMBER

<small>THIS DRAWING IS A CONTROLLED DOCUMENT FOR TYCO ELECTRONICS CORPORATION. IT IS SUBJECT TO CHANGE AND THE CONTROLLING ENGINEERING ORGANIZATION SHOULD BE CONTACTED FOR THE LATEST REVISION.</small>		DWN 25OCT2002 D. SZCZESNY CHK 31AUG2006 R. PATERSON APVD 31AUG2006 R. PATERSON	<b>tyco</b> Electronics Tyco Electronics Harrisburg, PA 17105-3608
DIMENSIONS: mm 	TOLERANCES UNLESS OTHERWISE SPECIFIED: 0 PLC ± 1 PLC ±0.5 2 PLC ±0.13 3 PLC ±0.013 4 PLC ±0.0001 ANGLES ±	PRODUCT SPEC APPLICATION SPEC WEIGHT CUSTOMER DRAWING	NAME UNIVERSAL POWER MODULE RIGHT ANGLE MALE GUIDE PIN, KEYED SIZE A2 CAGE CODE 00779 DRAWING NO. 1469265 RESTRICTED TO SCALE 3:1 SHEET 1 OF 1 REV A1