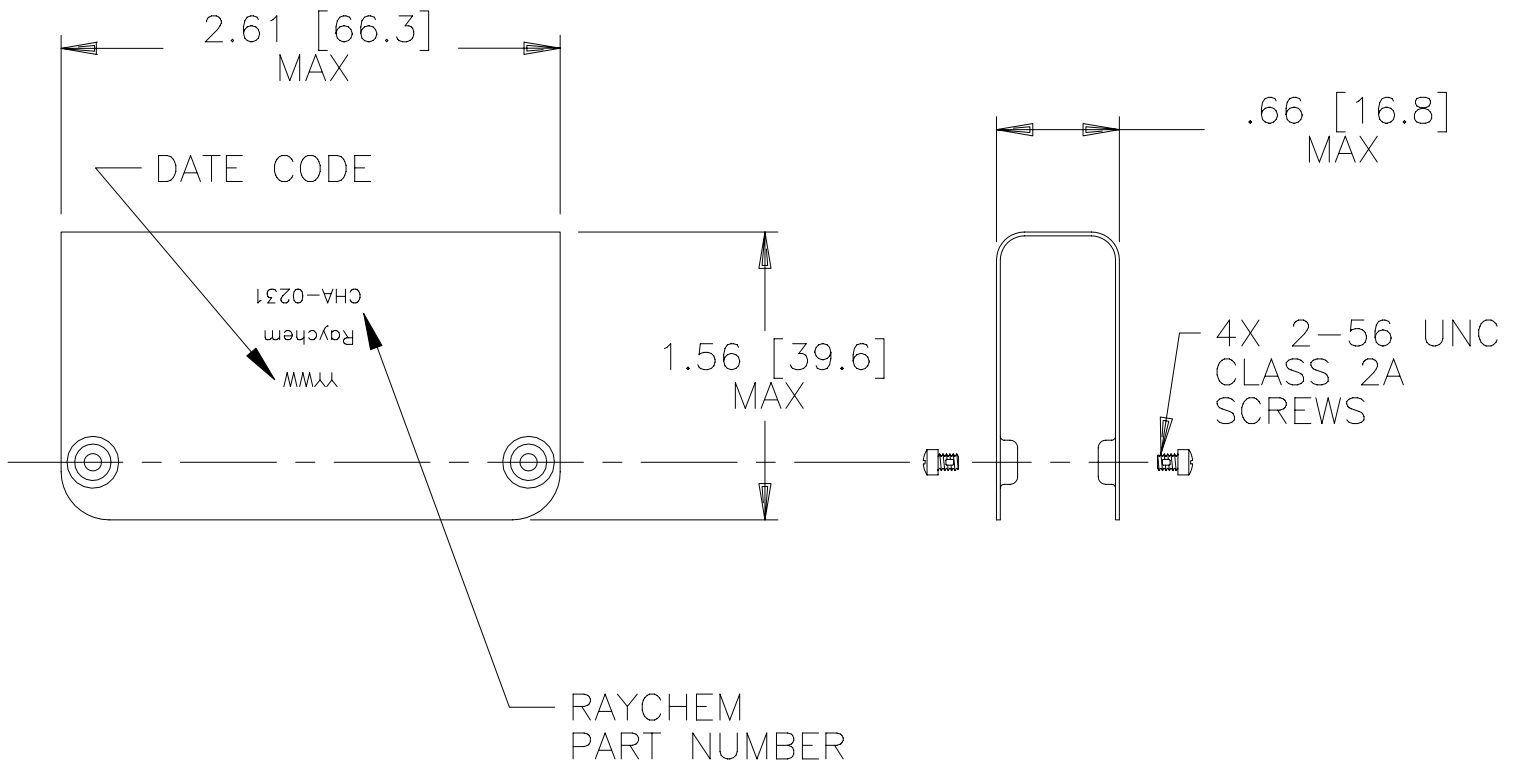


REVISIONS			
LTR	DESCRIPTION	DATE	APPROVED
A	REVISED PER ECN T-19774	1-9-95	R.H.
B	REVISED PER DCR# T-22580	1/25/99	M.HIGGY

NOTES:

MATERIAL: BACKSHELL: ALUMINUM ALLOY PER QQ-A-225
 SCREWS: STAINLESS STEEL PER QQ-S-763

FINISH: BACKSHELL: CADMIUM PLATED PER QQ-P-416
 OVER NICKEL UNDERPLATE
 SCREWS: CADMIUM PLATED PER QQ-P-416



SPECIFICATION CONTROL DRAWING

If this document is printed it becomes uncontrolled.
 Check with the web for latest revision.

UNLESS OTHERWISE SPECIFIED DIMENSIONS ARE IN INCHES. METRIC DIMENSIONS ARE IN BRACKETS.	DRAWN	HAWKINGS	89 APR 03	<i>Raychem</i>	RAYCHEM CORPORATION 300 CONSTITUTION DRIVE MENLO PARK, CALIFORNIA 94025		
	CHECKED				TITLE	BACKSHELL, PROTECTIVE, 2" FOR RIGHT ANGLE BREAKOUT OF FCC, MTC SERIES	
	APPROVED	J.BLAIR	89 APR 24	SIZE	CODE IDENT. NO.	DWG. NO.	REV
	APPROVED	J.CRAMRON	89 APR 25	A	06090	CHA-0231	B
DEC .XXX ± DEC .XX ± N/A ANGLES ±	CAD NAME		T22580.DWG		DO NOT SCALE THIS DRAWING		
WEIGHT: MAXIMUM 10.80 grams	THIRD ANGLE PROJECTION			SHEET 1 OF 1			