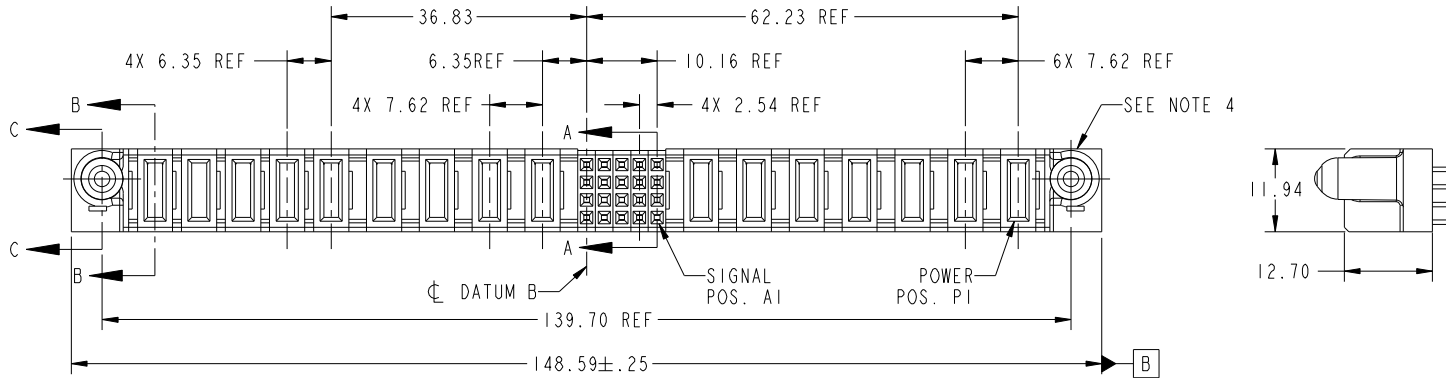


Tous droits strictement reserves. Reproduction ou communication a des tiers interdite sous quelque forme que ce soit sans autorisation écrite du propriétaire. Propriete de c FCI. Droits de reproduction FCI.



All rights strictly reserved. Reproduction or issue to third parties in any form whatever is not permitted without written authority from the proprietor. Property of FCI. Copyright FCI.

PRODUCT NO.	ROWS	POWER								SIGNAL				POWER										
		E2	P16	P15	P14	P13	P12	P11	P10	P9	P8	5	4	3	2	1	P7	P6	P5	P4	P3	P2	P1	E1
51940-230- NOTE: 3	D C B A		PA	X	PD	X	PD	PD	PD	PD	PD	PD	PD	PD	PD	PD	PD	PD	PD	PD	PD	PD	PD	



CODE	DIM "M" MATING LENGTH	CONTACT TYPE
E	[N/A]	SIGNAL
PD	[2.34]	POWER
PA	[1.07]	POWER
X	OMITTED	OMITTED

mat'l code				SEE NOTES		tolerances unless otherwise specified		CUSTOMER		FCI	
ltr	ecn no.	dr	date	linear	0.X ± 0.3	projection	COPY		www.fciconnect.com		
A	DG07-0242	JMG	06/11/07	angles	0.XX ± 0.13		title		7ACP + 20S + 4ACP + 5P VERTICAL SOLDER RECEPT		
				dr	0.XXX ± 0.051		product family		PwrBlade	code	
				enr	0° ± 2°	scale	size		A	dwg no	213
				chr	JM GUO 06/11/07	1:1	product family		51940-230		sheet
				appd	RYAN YUAN 06/11/07		size				1 of 4
					GARY HSIEH 06/11/07		cage code		22526		
					JOSEPH HSIA 06/11/07						
sheet index	revision sheet	A	A	A	A						
		1	2	3	4						

1 | 2 | 3 | 4

Pro/E

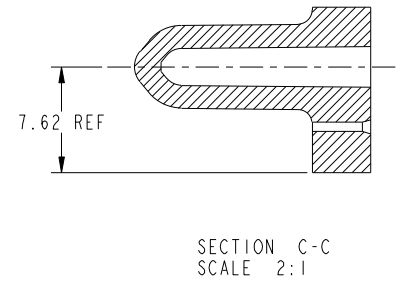
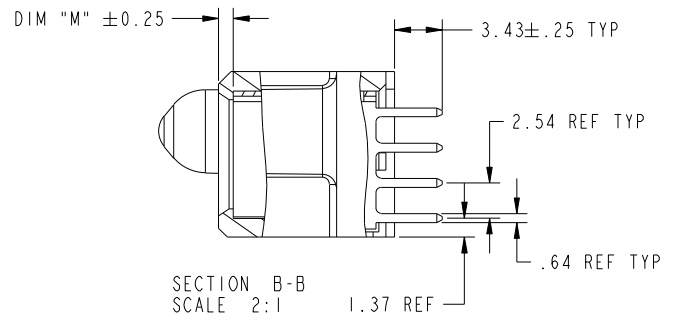
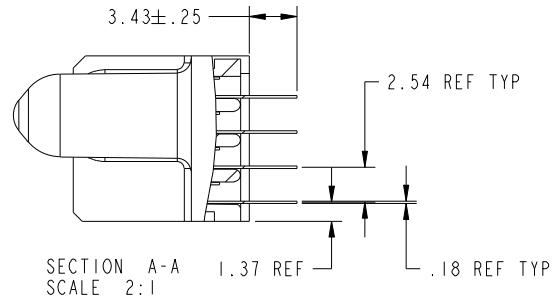
cage code 22526

Tous droits strictement reserves. Reproduction ou communication a des tiers interdite sous quelque forme que ce soit sans autorisation écrite du propriétaire. Propriete de c FCI. Droits de reproduction FCI.



All rights strictly reserved. Reproduction or issue to third parties in any form whatever is not permitted without written authority from the proprietor. Property of FCI. Copyright FCI.

PRODUCT NUMBER
51940-230--
NOTE: 3



mat'l code				tolerances unless otherwise specified		CUSTOMER		FCI	
ltr	ecn no.	dr	date	linear	0.X ± 0.3	COPY		www.fciconnect.com	
A					0.XX ± 0.13	projection		title	
				angles	0.XXX ± 0.051			7ACP + 20S + 4ACP + 5P VERTICAL SOLDER RECEPT	
				dr	0° ± 2°			product family PwrBlade code	
				enr	JM GUO 06/11/07	scale		size	
				chr	RYAN YUAN 06/11/07	1:1		dwg no	
				appd	GARY HSIEH 06/11/07			A 51940-230	
					JOSEPH HSIA 06/11/07			sheet	
sheet index		revision sheet						2 of 4	

cage code 22526

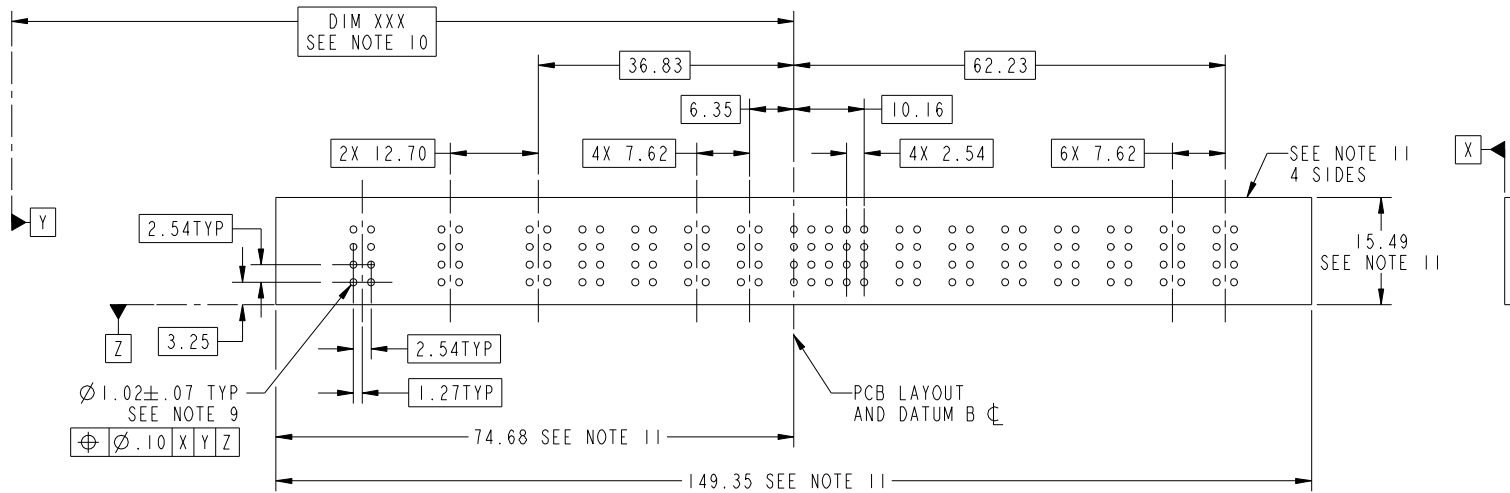
Pro/E

Tous droits strictement reserves. Reproduction ou communication a des tiers interdite sous quelque forme que ce soit sans autorisation écrite du propriétaire. Propriete de c FCI. Droits de reproduction FCI.



All rights strictly reserved. Reproduction or issue to third parties in any form whatever is not permitted without written authority from the proprietor. Property of FCI. Copyright FCI.

PRODUCT NUMBER
51940-230--
NOTE: 3



mat'l code				tolerances unless otherwise specified		CUSTOMER		FCI	
ltr	ecn no.	dr	date	linear	0.X ± 0.3	COPY		www.fciconnect.com	
A					0.XX ± 0.13	projection		title	
				angles	0.XXX ± 0.051			7ACP + 20S + 4ACP + 5P VERTICAL SOLDER RECEPT	
				dr	0° ± 2°			product family PwrBlade code	
				enr	JM GUO 06/11/07	scale		size	
				chr	RYAN YUAN 06/11/07	1:1		dwg no	
				appd	GARY HSIEH 06/11/07	A		51940-230	
					JOSEPH HSIA 06/11/07			sheet	
sheet index	revision sheet							3 of 4	

cage code 22526

Pro/E

Tous droits strictement reserves. Reproduction ou communication a des tiers interdite sous quelque forme que ce soit sans autorisation écrite du propriétaire. Propriete de c FCI. Droits de reproduction FCI.

All rights strictly reserved. Reproduction or issue to third parties in any form whatever is not permitted without written authority from the proprietor. Property of FCI. Copyright FCI.

PRODUCT NUMBER
51940-230--
NOTE: 3

NOTES:

1. DIMENSIONS AND TOLERANCES ARE IN ACCORDANCE WITH ASME Y14.5M, 1994 UNLESS OTHERWISE SPECIFIED.

CONNECTOR NOTES:

- ② HOUSING MATERIAL: UL 94 V-0 GLASS FILLED
HIGH-TEMP THERMOPLASTIC
POWER CONTACT MATERIAL: COPPER ALLOY
SIGNAL PIN MATERIAL: COPPER ALLOY
- 3. PLATING SPEC.
51940-230, 51940-230LF PLATING SPEC. WAS SHOWN IN THE PRINT OF 10064183.
- ④ MANUFACTURER'S NAME, P/N, AND DATE CODE TO APPEAR ON THIS SURFACE.
- 5. PRODUCT SPECIFICATION GS-12-149.
APPLICATION SPECIFICATION BUS-20-067.
- 6. PACKAGED IN TRAYS.
- PCB NOTES:
- 7. ALL HOLE DIAMETERS ARE FINISHED HOLE SIZE.
- ⑧ MOUNTING HOLES, WHERE APPLICABLE, ARE UNPLATED.
- ⑨ $\varnothing 1.151 \pm 0.025$ DRILLED HOLES PLATED WITH
0.008 MIN SnPb OR Sn OVER 0.03
TO 0.08 Cu PLATING TO ACHIEVE
 $\varnothing 1.02 \pm .07$ HOLE.
- ⑩ "DIM XXX" TO BE DETERMINED BY THE CUSTOMER.
- ⑪ CONNECTOR KEEP-OUT ZONE.

mat'l code				tolerances unless otherwise specified		CUSTOMER		FCI	
ltr	ecr no.	dr	date	linear	0.X ± 0.3	COPY		www.fciconnect.com	
A					0.XX ± 0.13	projection		title	
				angles	0.XXX ± 0.051			7ACP + 20S + 4ACP + 5P VERTICAL SOLDER RECEPT	
				dr	0° ± 2°	MIM		product family	
				enr	JM GUO 06/11/07			PwrBlade	
				chr	RYAN YUAN 06/11/07	scale		code	
				appd	GARY HSIEH 06/11/07	1:1		213	
					JOSEPH HSIA 06/11/07	A		sheet	
sheet index		revision sheet						4 of 4	
								4	

cage code 22526

Pro/E