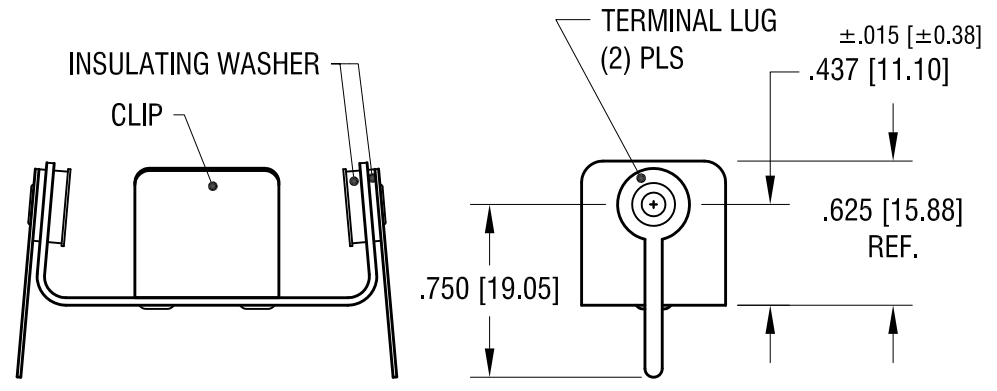
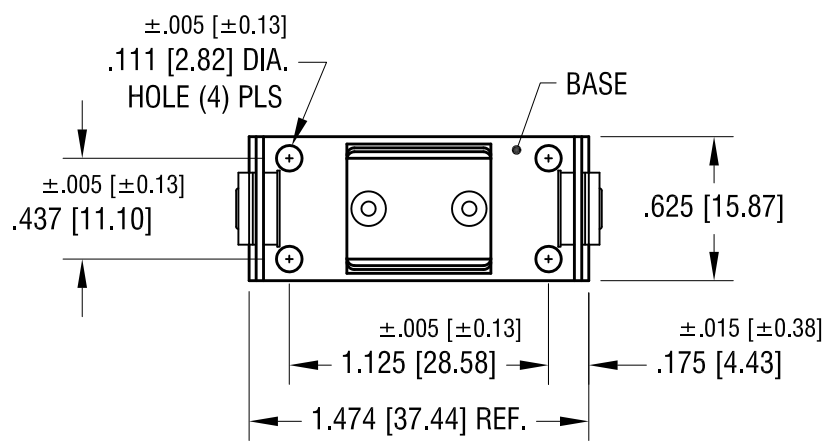
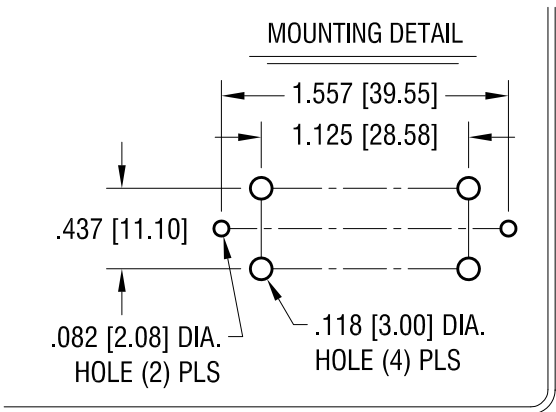
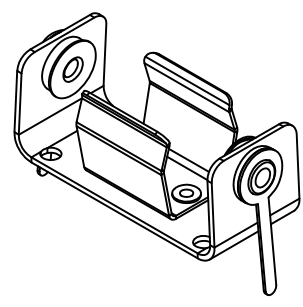


THIS DOCUMENT IS THE PROPERTY OF KEYSTONE ELECTRONICS CORP. AND SHALL NOT BE REPRODUCED, DISTRIBUTED OR USED AS A BASIS FOR MANUFACTURE WITHOUT PRIOR WRITTEN PERMISSION FROM KEYSTONE ELECTRONICS CORP.

ACTUAL SIZE



- NOTES:**
- 1. BASE: MAT'L - .032 [.81] TH'K ALUMINUM
 - CLIP: MAT'L - .020 [.50] TH'K ALUMINUM
 - TERMINAL LUG: MAT'L - .020 [.50] TH'K BRASS
 - FINISH - TIN PLATE

KEYSTONE ELECTRONICS CORP.			
www.keyelco.com • ASTORIA, N.Y. 11105-2017 • Tel (718) 956-8900			
PART NAME			
BATTERY HOLDER, PC '2/3 A'			
MATERIAL			
AS NOTED			
FINISH		DRN BY	DATE
AS NOTED		BOONE	6.7.83
		APP'D	SCALE
		LN	1.2X
TOLERANCES	INCH [MM]	CODE	DWG NO.
DECIMAL	±.010 [±0.25]	C	131
ANGULAR	± 1°		
UNLESS OTHERWISE SPECIFIED			

3.12.07	CHANGE AS PER ECN 07-013	D
DATE	DESCRIPTION	REV.