

THIS DRAWING IS UNPUBLISHED. RELEASED FOR PUBLICATION
 © COPYRIGHT BY TYCO ELECTRONICS CORPORATION. ALL RIGHTS RESERVED.

LOC		DIST		REVISIONS			
P	LTR	DESCRIPTION	DATE	DWN	APVD		
B		ECO 06 000585	08AUG06	BSV	MZ		

SPECIFICATIONS:

MATERIALS:

CASE: HIGH TEMPERATURE POLYESTER, UL 94V-0.
 ACTUATOR BUTTON: THERMOPLASTIC, COLORS: SEE CHART BELOW.
 MOVING CONTACT: COPPER ALLOY, GOLD PLATED.
 FIXED CONTACT: COPPER ALLOY, GOLD PLATED.
 TERMINALS: COPPER ALLOY, TIN LEAD PLATED.
 TERMINAL SEAL: SP EPOXY
 DP EPOXY OPTIONAL.

ELECTRICAL:

CONTACT RATING: 0.4 VA MAX. @ 20 VDC OR PEAK AC.
 INITIAL CONTACT RESISTANCE: 20 MILLIOHMS MAX.
 INSULATION RESISTANCE: 1,000 MEGOHMS @ 500 VDC MIN.
 DIELECTRIC STRENGTH: 1,000 VAC.
 LIFE EXPECTANCY: 1 POLE = 60,000 CYCLES
 2 POLES = 50,000 CYCLES.

MECHANICAL:

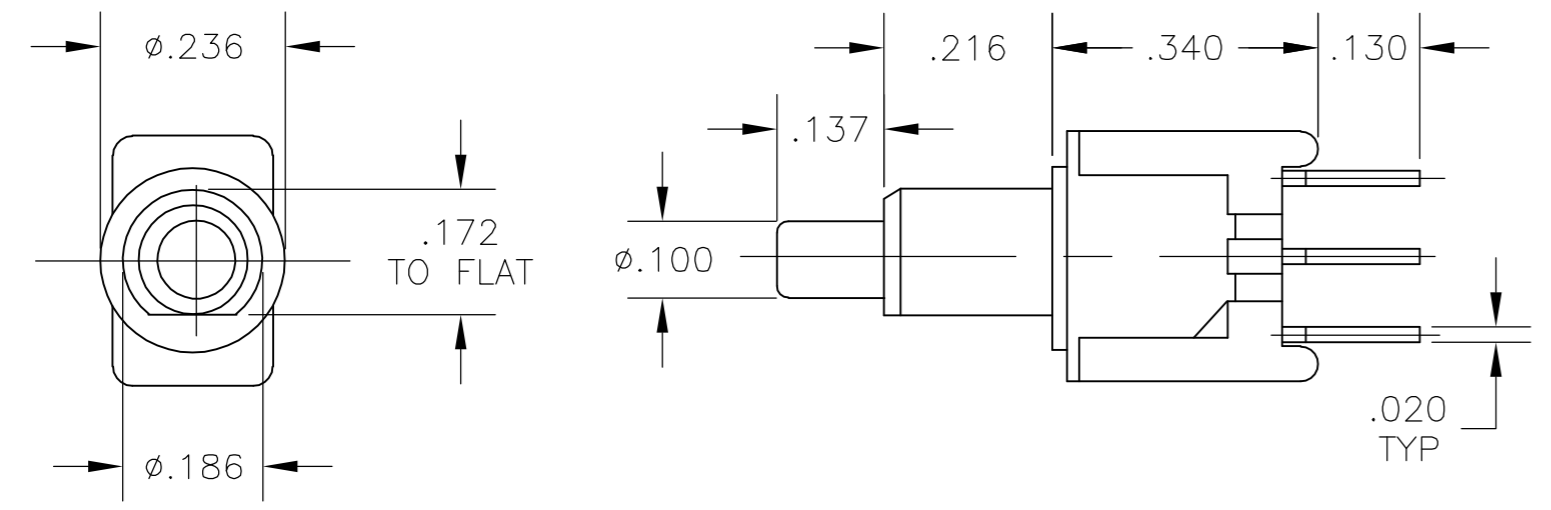
ACTUATION FORCE: 50 TO 400g.
 ACTUATION TRAVEL: .030 APPROX.

ENVIRONMENTAL:

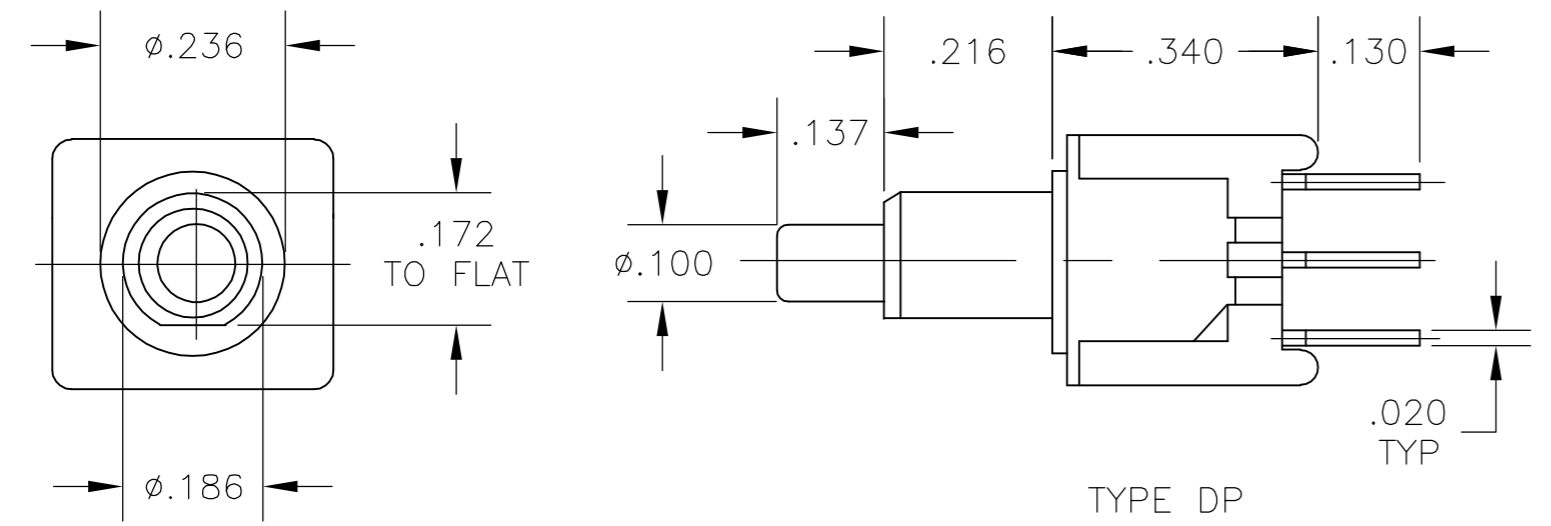
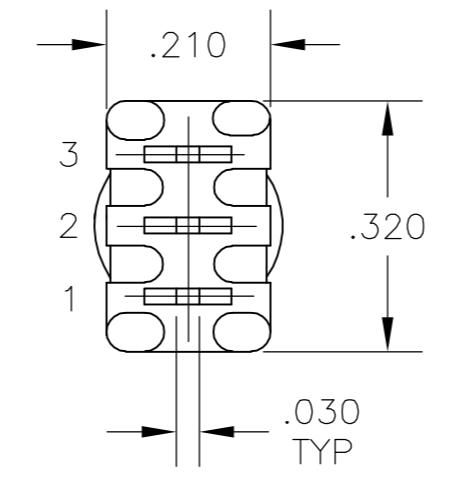
OPERATING TEMPERATURE: -22°F TO +149°F (-30°C TO +65°C).
 STORAGE TEMPERATURE: -22°F TO +149°F (-30°C TO +65°C).

NOTES:

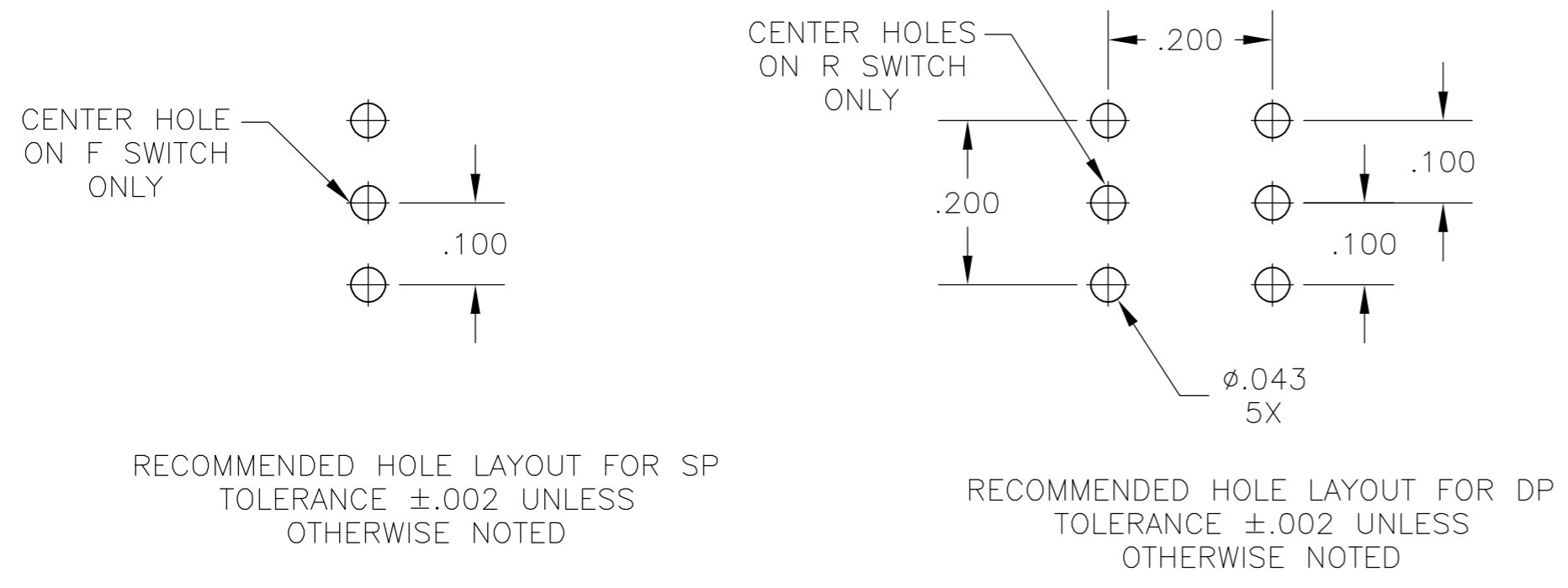
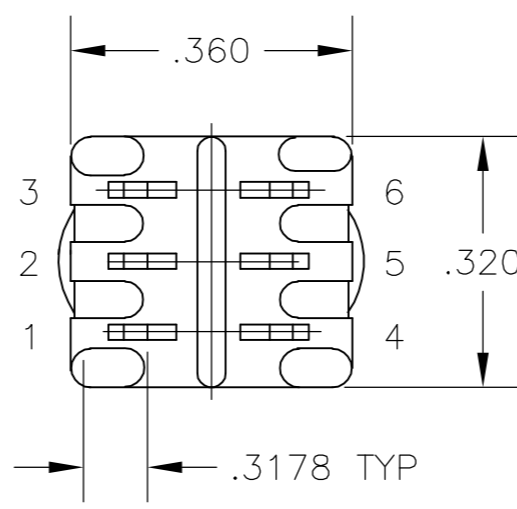
- INTERPRET DRAWING PER ASME Y14.5M-1994.
- SUPPLIED WITH MOUNTING HARDWARE.



TYPE SP



TYPE DP



OBSOLETE	TPB21RGPC2	8-1437571-4
OBSOLETE	TPB21RGPC0	8-1437571-3
	TPB21MGPC2	8-1437571-0
	TPB21MGPC0	7-1437571-9
OBSOLETE	TPB11FGPC6	6-1437571-7
OBSOLETE	TPB11FGPC2	6-1437571-6
	TPB11FGPC0	6-1437571-5
OBSOLETE	TPB11CGPC6	5-1437571-4
	TPB11CGPC2	5-1437571-3
	TPB11CGPC0	5-1437571-1
	ALCO MODEL	TYCO PART NO

TERMINALS CONNECTED WITH BUTTON IN POSITIONS SHOWN.		
SWITCH MODEL	FLAT	FLAT
TPB11CG-PC (*)	OFF	1-3(MOM)
TPB11FG-PC (*)	2-1	2-3(MOM)
TPB21MG-PC (*)	OFF	1-3 (MOM) 4-6
TPB21RG-PC (*)	2-1 5-4	2-3 (MOM) 5-6

NOTE:
 TERMINAL DESIGNATION NUMBERS ARE FOR REFERENCE ONLY AND DO NOT APPEAR ON SWITCHES.

(*)	BUTTON COLOR	DIMENSIONS: INCHES TOLERANCES UNLESS OTHERWISE SPECIFIED: 0 PLC ± - 1 PLC ± - 2 PLC ± - 3 PLC ± .010 4 PLC ± - ANGLES ± 1° FINISH SEE SPECIFICATIONS	DWN TRU-D 12SEP96	 Tyco Electronics Corporation Harrisburg, Pa 17105-3608
	(0) BLACK		CHK -	
	(2) RED		APVD -	
	(6) BLUE		NAME	
MATERIAL SEE SPECIFICATIONS		FINISH SEE SPECIFICATIONS	PRODUCT SPEC -	SIZE CAGE CODE DRAWING NO RESTRICTED TO
			APPLICATION SPEC -	A2 00779 C=5-1437571-1
			WEIGHT -	SCALE 4:1 SHEET 1 OF 1 REV B
			CUSTOMER DRAWING	

5-1437571-1

A