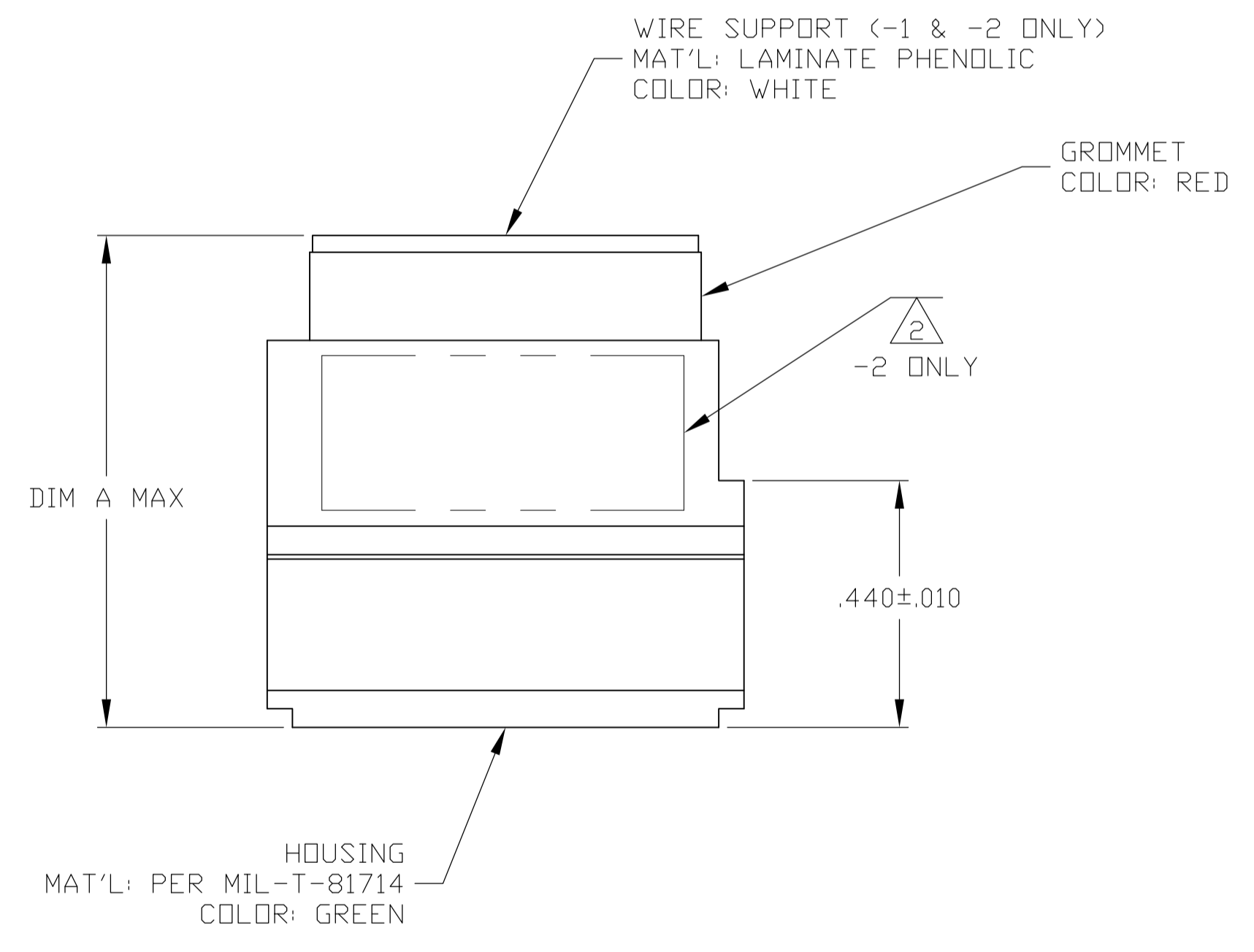
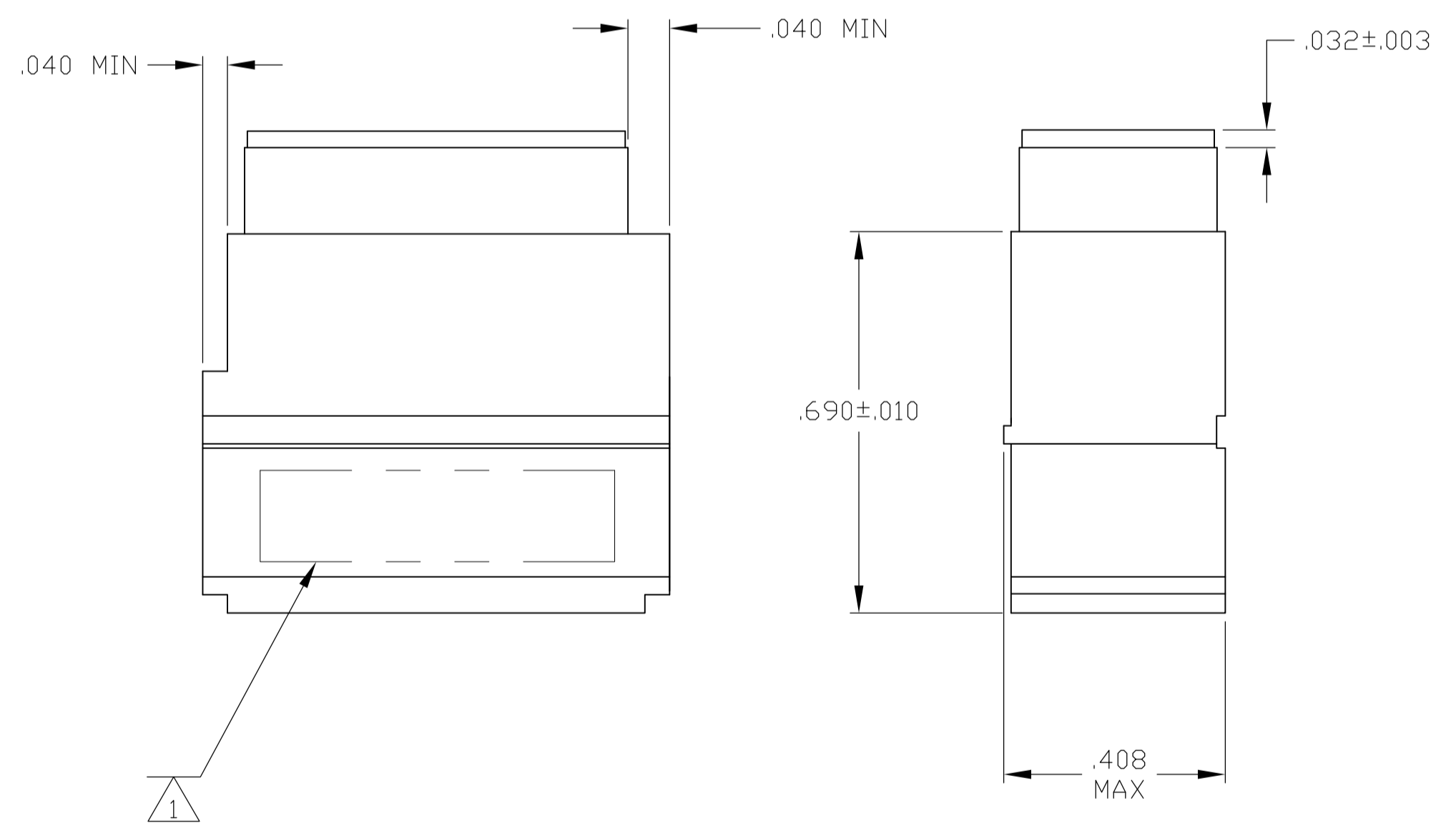
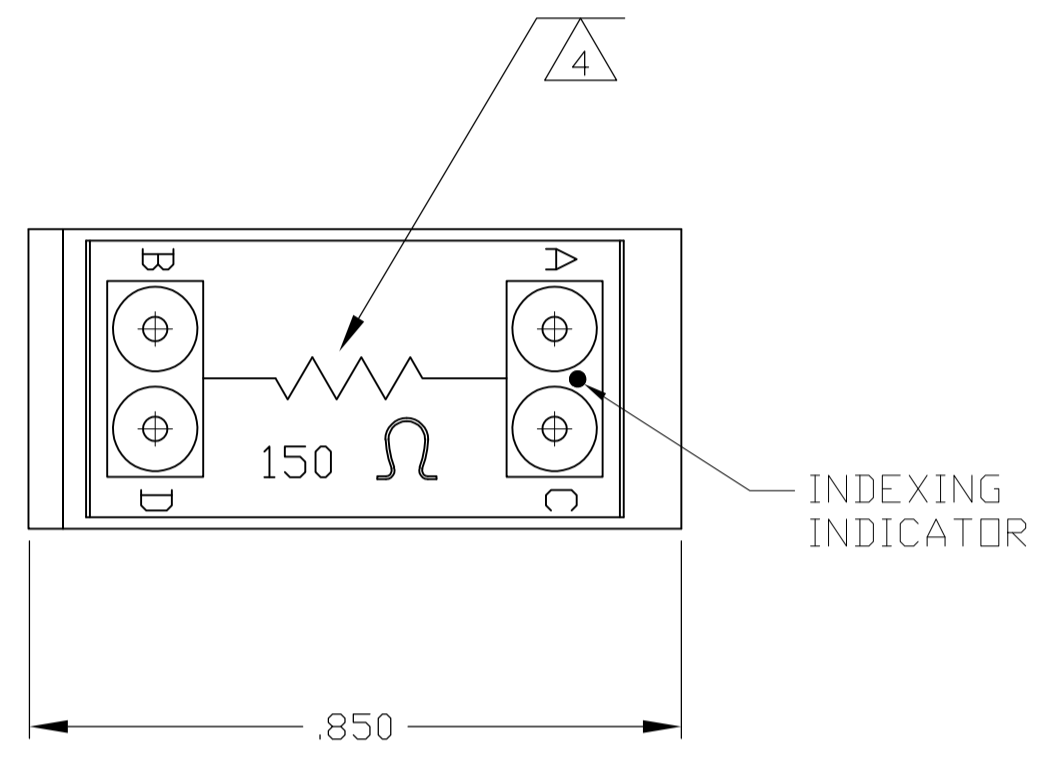


DESCRIPTION	MATERIAL	FINISH
MODULE ASSEMBLY	THERMOSET EPOXY	COLOR: BLACK
GROMMET	FLUORSILICONE RUBBER PER MIL-T-81714, CLASS B	COLOR: RED
CONTACT SOCKET	BERYLLIUM COPPER ASTM-B-194	GOLD PLATE PER ASTM-B-488
RETAINING CLIP	BERYLLIUM COPPER ASTM-B-194 OR STAINLESS STEEL PER QQ-S-766	NONE
RESISTOR (QTY=1)	RLR20C1500GS 150 Ω	NONE

LOC	DIST	REVISIONS			
REV	DATE	DESCRIPTION	DATE	DWN	APVD
A	REV PER ECO 08-000580		15 JAN 2009	PK	DE

- 1 MODULE ASSEMBLY MARKED WITH GAGE CODE "00779", "AMP", AMP PART NO. AND DATE CODE .060 MINIMUM CHARACTERS
- 2 CUSTOMER PART NO. (SEE TABLE) MARKED IN AREA SHOWN. -2 ONLY.
- 3 FOUR PIN CONTACTS (M39029/1-101) ARE PACKAGED SEPARATELY WITH CONNECTOR.
- 4 MARKING FOR WIRE SUPPORT IS IN CONTRASTING COLORS.



.847	--	591829-3
.885	110-121-1	591829-2
.885	--	591829-1
DIM A	CUSTOMER PART NO.	PART NO.

THIS DRAWING IS A CONTROLLED DOCUMENT.		DWN C. C. THOMAS 12-2-03	01 BEC03	Tyco Electronics Corporation Harrisburg, PA 17105	
DIMENSIONS IN INCHES		CHK D. EABY 12-2-03	NAME D. EABY	Tyco Electronics	
TOLERANCES UNLESS OTHERWISE SPECIFIED:		PRODUCT SPEC		REMOVABLE MODULE BLOCK WITH RESISTOR, SIZE 20, TJ	
0 PLC ± -		APPLICATION SPEC		RESTRICTED TO	
1 PLC ± -		WEIGHT		A1 00779 C=591829	
2 PLC ± .005		CUSTOMER DRAWING		SCALE 4:1 SHEET 1 OF 1 REV A	
3 PLC ± -					
4 PLC ± -					
ANGLES ± -					
FINISH					