

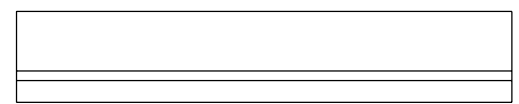
DWG. NO.
SD-35301-002

SIMILAR ITEM

PROJECT NO.

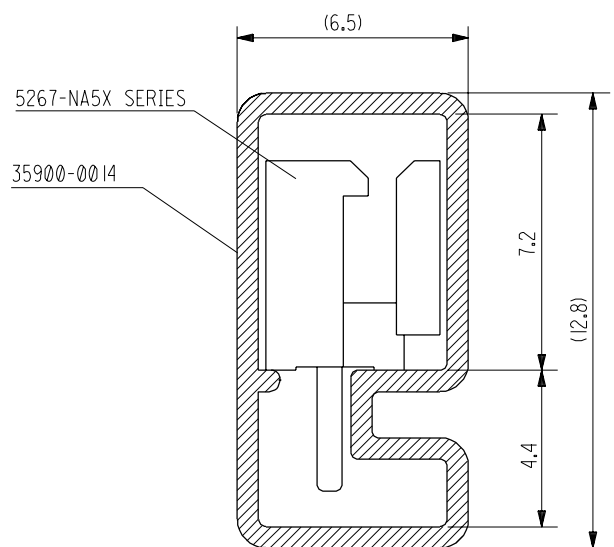
5 4 3 2 1

STICKER OR VINYL
(MOLEX LOGO SIDE)



← STOPPER

VIEW V



← V

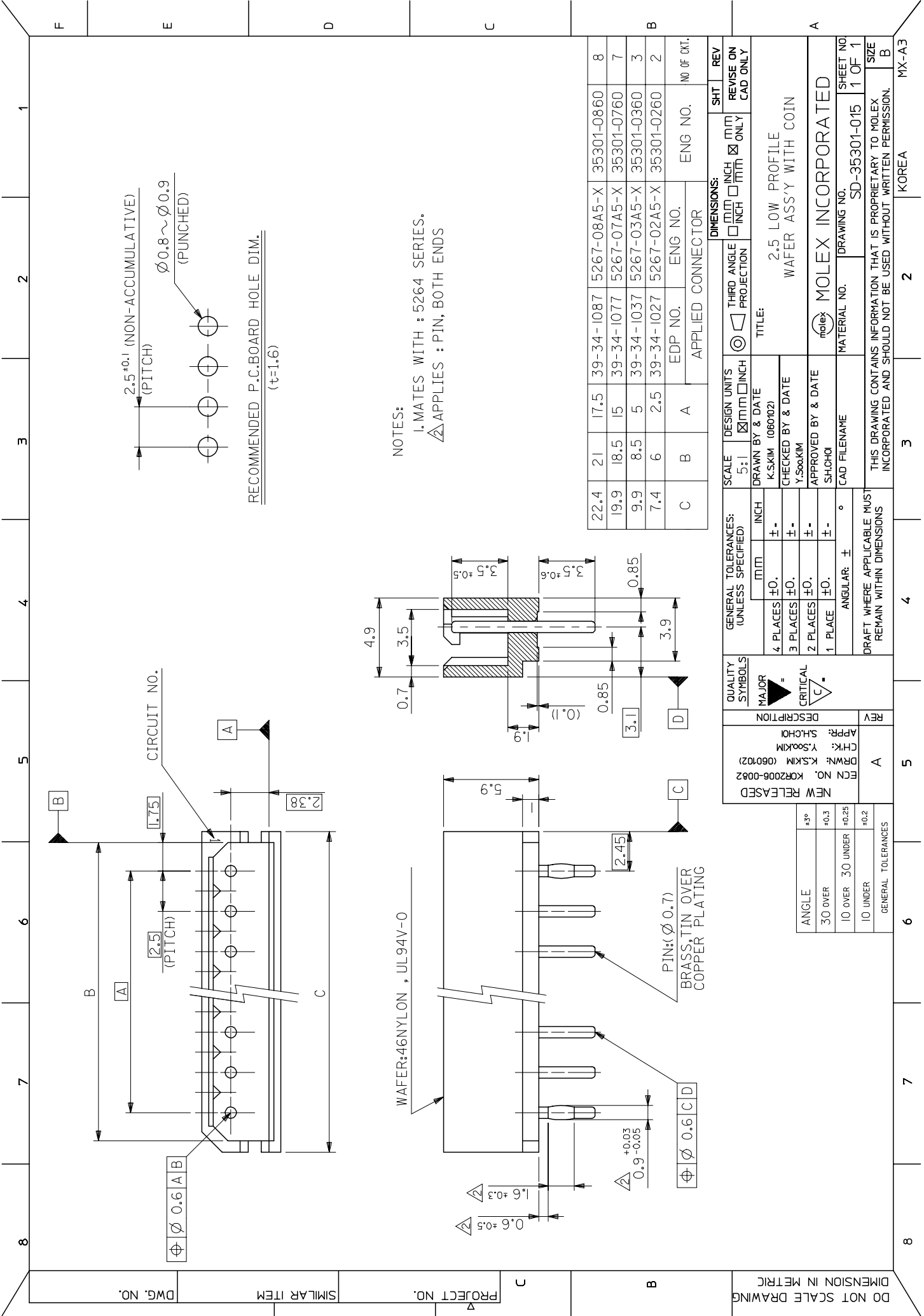
NOTES

1. PACKING TYPE : STOPPER & STICKER LOCKING TYPE(GENERAL)
: VINYL & STOPPER LOCKING TYPE(FOR S/S)
2. THICKNESS : 0.6 †
3. LENGTH : 550 mm

8	35301-0860	353010860	20	5267-NA5X SERIES
7	35301-0760	353010760	25	
3	35301-0360	353010360	50	
2	35301-0260	353010260	70	
CKTS	ENG NO.	MAT'L NO.	Q'TY/TUBE	USED ON

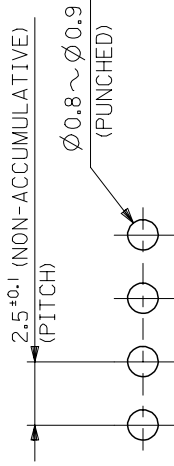
NEW RELEASED EC NO. KOR2002-0048 DRWN: KSKIM(011130) CHK: J.K.OH APPR: C.W.LEE	DESCRIPTION	QUALITY SYMBOLS	GENERAL TOLERANCES: (UNLESS SPECIFIED)		SCALE 5 : 1	DESIGN UNITS <input checked="" type="checkbox"/> mm <input type="checkbox"/> INCH	THIRD ANGLE PROJECTION <input type="checkbox"/> <input checked="" type="checkbox"/>	DIMENSIONS: <input type="checkbox"/> mm <input type="checkbox"/> INCH <input checked="" type="checkbox"/> mm ONLY	SHT	REV
		MAJOR =	CRITICAL =	mm	INCH	DRAWN BY & DATE K.S.KIM(011130)		TITLE: TUBE PACKAGED FOR 5267-NA5X SERIES		
A	REV	4 PLACES	±0.	±.	CHECKED BY & DATE J.K.OH		MOLEX INCORPORATED KOREA			
		3 PLACES	±0.	±.	APPROVED BY & DATE C.W.LEE					
		2 PLACES	±0.	±.	CAD FILENAME E35301B.DGN		MATERIAL NO. SEE TABLE	DRAWING NO. SD-35301-002	SHEET NO. 1 OF 1	
		1 PLACE	±0.4	±.	ANGULAR: ± 3 °		THIS DRAWING CONTAINS INFORMATION THAT IS PROPRIETARY TO MOLEX INCORPORATED AND SHOULD NOT BE USED WITHOUT WRITTEN PERMISSION.			SIZE A
		DRAFT WHERE APPLICABLE MUST REMAIN WITHIN DIMENSIONS								

5 4 3 2 1 MX-A4



NOTES:
 1. MATES WITH : 5264 SERIES.
 2. APPLIES : PIN, BOTH ENDS

RECOMMENDED P.C. BOARD HOLE DIM.
 (t=1.6)



C	B	A	EDP NO.	ENG NO.	APPLIED CONNECTOR	ENG NO.	NO OF CKT.

SCALE	DESIGN UNITS	THIRD ANGLE PROJECTION	DIMENSIONS:	SHT	REV
5:1	MM	MM	MM	MM	MM
DRAWN BY & DATE		TITLE:		REVISE ON CAD ONLY	
K.S.KIM (060102)		2.5 LOW PROFILE WAFER ASS'Y WITH COIN			
CHECKED BY & DATE		MATERIAL NO.		DRAWING NO.	
Y.SOO/KIM		MOLEX INCORPORATED		SD-35301-015	
APPROVED BY & DATE		SHEET NO.		1 OF 1	
S.H.CHOI		SIZE		B	
CAD FILENAME		KOREA		MX-A3	
DRAWING NO.		KOREA		MX-A3	

QUALITY SYMBOLS	GENERAL TOLERANCES (UNLESS SPECIFIED)
MAJOR	±
CRITICAL	±
	±
	±
	ANGULAR: ± °

DRAFT WHERE APPLICABLE MUST REMAIN WITHIN DIMENSIONS

DESCRIPTION	APPR.	CHK.	DRWN.	ECN NO.	NEW RELEASED
	S.H.CHOI	Y.SOO/KIM	K.S.KIM (060102)	KOR2006-0082	

ANGLE	GENERAL TOLERANCES
30 OVER	±0.3
10 OVER 30 UNDER	±0.25
10 UNDER	±0.2

DO NOT SCALE DRAWING DIMENSION IN METRIC