

## D-SUB combination contact insert - VS-09-ST-DSUB-1P-4S-LH - 1655315

Please be informed that the data shown in this PDF Document is generated from our Online Catalog. Please find the complete data in the user's documentation. Our General Terms of Use for Downloads are valid (<http://phoenixcontact.com/download>)

D-SUB contact insert, shell size 1, with 4 signal contacts, for PCB assembly, angled, accommodation for 1 combined contact, contact type pin, fixing with M3 thread and solder pins, for panel mounting frame VS-09-...



### Key commercial data

Packing unit	1 pc
Minimum order quantity	10 pc
Weight per Piece (excluding packing)	11.01 GRM
Custom tariff number	85366990
Country of origin	Germany

### Technical data

#### Mechanical characteristics

Number of positions	5
Connection profile	D-SUB 9
Insertion/withdrawal cycles	≥ 200
Connection method	Solder connection
Insertion force per signal contact	≤ 3.40 N
Extraction force per signal contact	≥ 0.2 N

#### Ambient conditions

Ambient temperature (operation)	-55 °C ... 125 °C
---------------------------------	-------------------

#### Material data

Inflammability class according to UL 94	V0
Housing material	Steel, yellow chromated
Contact carrier material	PBTP
Contact material	Copper alloy
Contact surface material	Gold over nickel

# D-SUB combination contact insert - VS-09-ST-DSUB-1P-4S-LH - 1655315

## Technical data

### Electrical characteristics

Rated voltage (III/3)	250 V
Rated current	5 A
Contact resistance per contact pair	$\leq 2.7 \text{ m}\Omega$
Insulation resistance	$\geq 5 \text{ G}\Omega$

## Classifications

### eCl@ss

eCl@ss 4.0	27140816
eCl@ss 4.1	27260701
eCl@ss 5.0	27260701
eCl@ss 5.1	27260701
eCl@ss 6.0	27260705
eCl@ss 7.0	27440309
eCl@ss 8.0	27440309

### ETIM

ETIM 2.0	EC000438
ETIM 3.0	EC000438
ETIM 4.0	EC000438
ETIM 5.0	EC000438

### UNSPSC

UNSPSC 6.01	30211923
UNSPSC 7.0901	39121522
UNSPSC 11	39121522
UNSPSC 12.01	39121522
UNSPSC 13.2	39121522

## Approvals

### Approvals

---

Approvals

GOST

---

Ex Approvals

# D-SUB combination contact insert - VS-09-ST-DSUB-1P-4S-LH - 1655315

## Approvals

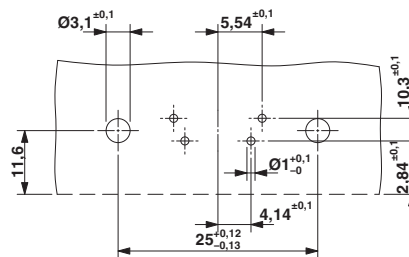
Approvals submitted

## Approval details



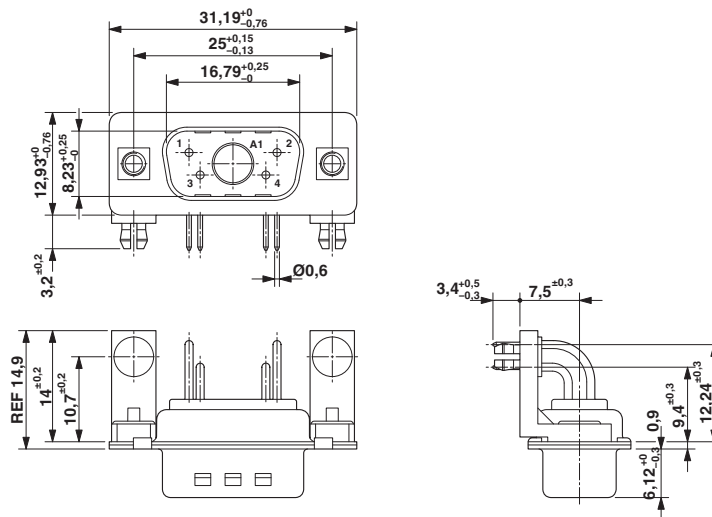
## Drawings

Drilling diagram



Drilling diagram

Dimensioned drawing



D-SUB contact insert

