

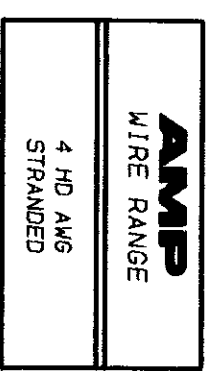
THIS DRAWING IS UNPUBLISHED. RELEASED FOR PUBLICATION
 © COPYRIGHT 19 BY AMP INCORPORATED. ALL INTERNATIONAL RIGHTS RESERVED.

LOC 6 DIST 14

P F ZONE LTR

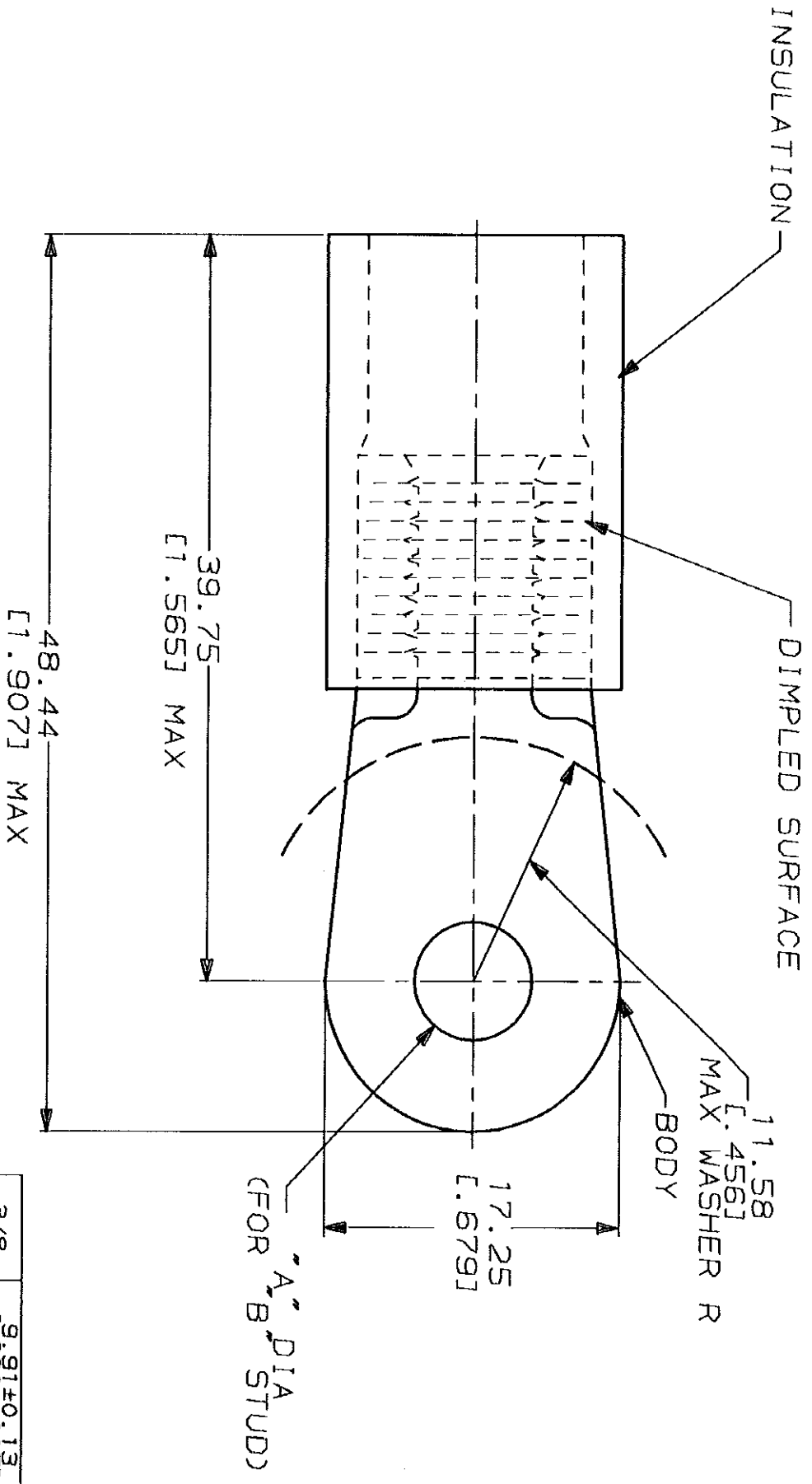
DESCRIPTION EC 0720-0279-93

REVISIONS DATE APPD 6-23-93 556 BB



METRIOR
 DIMENSIONS LISTED IN mm [INCHES]

1. TONGUE MATERIAL THK 2.31±0.08[.091±.004]
 FOR 11.25[.443] MAX WIRE INS DIA



**AMP INCORPORATED
 CUSTOMER SERVICE SYSTEMS**

FOR ADDITIONAL PRODUCT INFORMATION OR COPIES OF DRAWINGS AND TECHNICAL DOCUMENTS	PRODUCT INFORMATION CENTER 1-800-522-6752	MAX RECOMMENDED OPERATING TEMPERATURE: 105°C
FOR APPLICATION	TOOLING ASSISTANCE CENTER 1-800-722-1111	VOLTAGE RATING: -
TOOLING INFORMATION	1-800-526-5142	CIRCULAR MIL AREA: 16.8-26.7mm² [39,100-52,600] STRANDED
FOR ORDER ENTRY	1-800-526-5142	THIS DRAWING IS A CONTROLLED DOCUMENT FOR AMP INCORPORATED. IT IS SUBJECT TO CHANGE AND THE CONTROLLING ENGINEERING ORGANIZATION SHOULD BE CONTACTED FOR THE LATEST REVISION.

DO NOT SCALE PRINT. UNLESS SPECIFIED	DR 6-21-93	QTY	PACKAGE TYPE	PART NO
3/8	9.91±0.13	-	LOOSE PC	1-331421-1
5/16	8.33±0.13	-		1-331421-0

TOLERANCES ON: 1 PLG DEC ± .001 2 PLG DEC ± .002 3 PLG DEC ± .003 ANGLES ± .1	CHK 6-21-93 R. HERSEY	NAME AMP AMP Incorporated Harrisburg, PA 17105-3608
MATERIAL COPPER PER ASTM B-152 NYLON (MIL-M-20693) TYPE 1 COLOR: YELLOW	APPD 6-21-93 B. BARE	TERMINAL, RING TONGUE, TERMINYL WIRE SIZE: 4 HD AWG
FINISH TIN PLATE PER MIL-T-10727	APPD 6-21-93 H. ELLIS	SIZE B 00779
	PRODUCT SPEC	CAGE CODE G-331421
	APPLICATION SPEC	DRAWING NO G-331421
	WEIGHT	SCALE NTS
		SHEET 1 OF 1