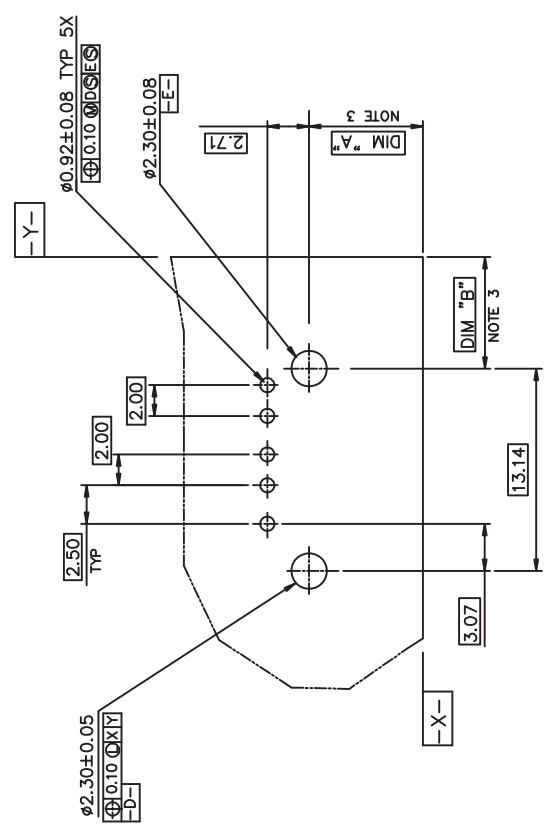
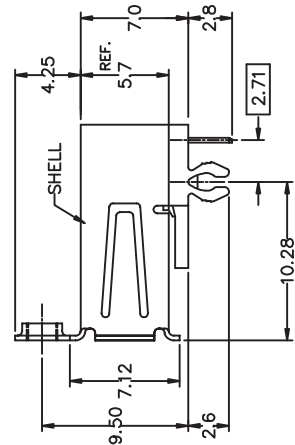
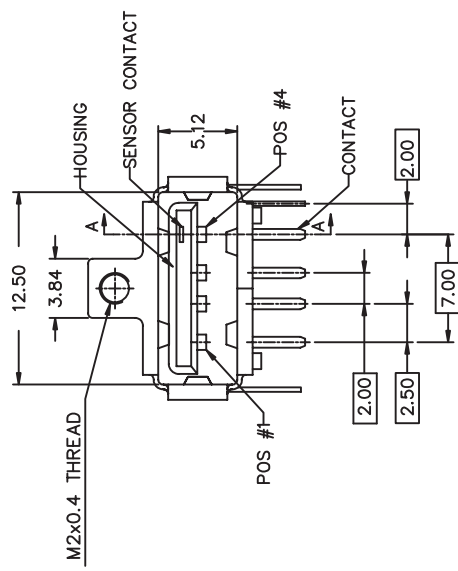
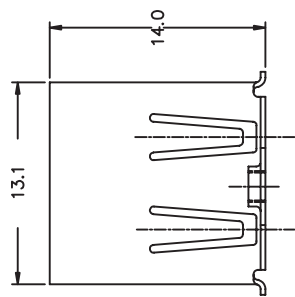


PRODUCT NO.
SEE SHEET 3

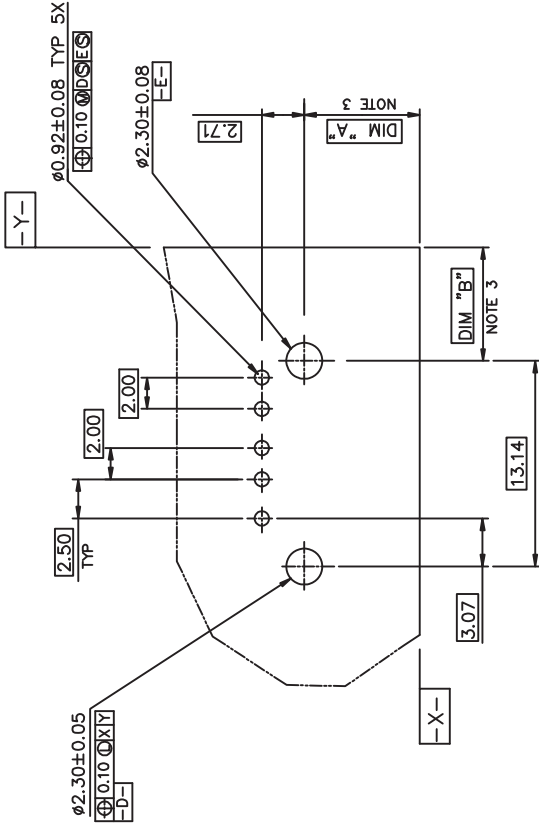
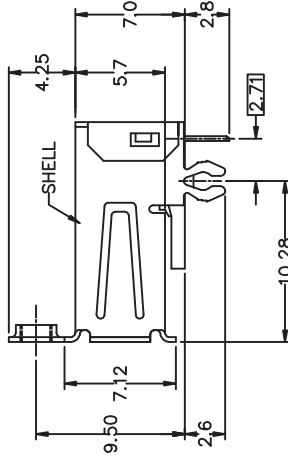
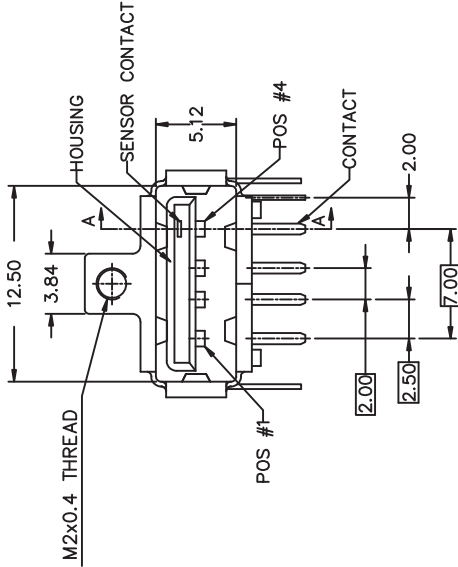
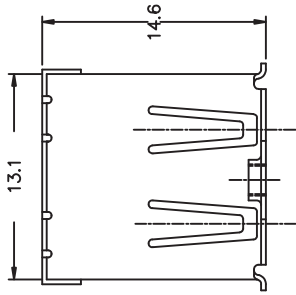


P.C. BOARD LAYOUT

ASSEMBLY WITHOUT BACK SHIELD

mat'l code		tolerance unless otherwise specified		CUSTOMER COPY		FCI	
rev.	ecn no.	dr	date	linear	projection	title	www.fciconnect.com
A	170233	P P	6/18/97	.00 ± 0.30	1st angle	UNIV SERIAL BUS	
B	170333	C L	08/11/97	.000 ± 0.10	1st angle	RECEPTACLE-CATALOG	
C	T04-0208	W L	09/13/04	± .3	unit	product family	USB
D	N04-0123	PH	12/13/04	engr	size	dwg no.	61819
E	N06-0101	HB	04/13/06	chr	scale	sheet	1 OF 3
				appl	JENN	TSAO	01/10/97
sheet revision	E	B	E				
index sheet	1	2	3				

PRODUCT NO.
SEE SHEET 3



P.C. BOARD LAYOUT

ASSEMBLY WITH BACK SHIELD

mat'l code		tolerance unless otherwise specified		CUSTOMER COPY	
rev.	sec. no.	dr	date	projection	title
B				0 ± 0.30	UNIV. SERIAL BUS S.M.T. RECEPTACLE-CATALOG
				.00 ± 0.20	product family USB
				.0000 ± 0.10	size
				angles ± 3°	dwg no. 61819
				dr SHIRLEY HSL01/10/97	unit
				engr R Y LU 01/10/97	mm/inch
				chr R Y LU 01/10/97	scale
				appl JENN TSAO01/10/97	2.5:1
sheet	revision				
index	sheet				



UNIV. SERIAL BUS S.M.T. RECEPTACLE-CATALOG
product family USB
size
dwg no. 61819
unit
mm/inch
scale
2.5:1

code
sheet
2 OF



