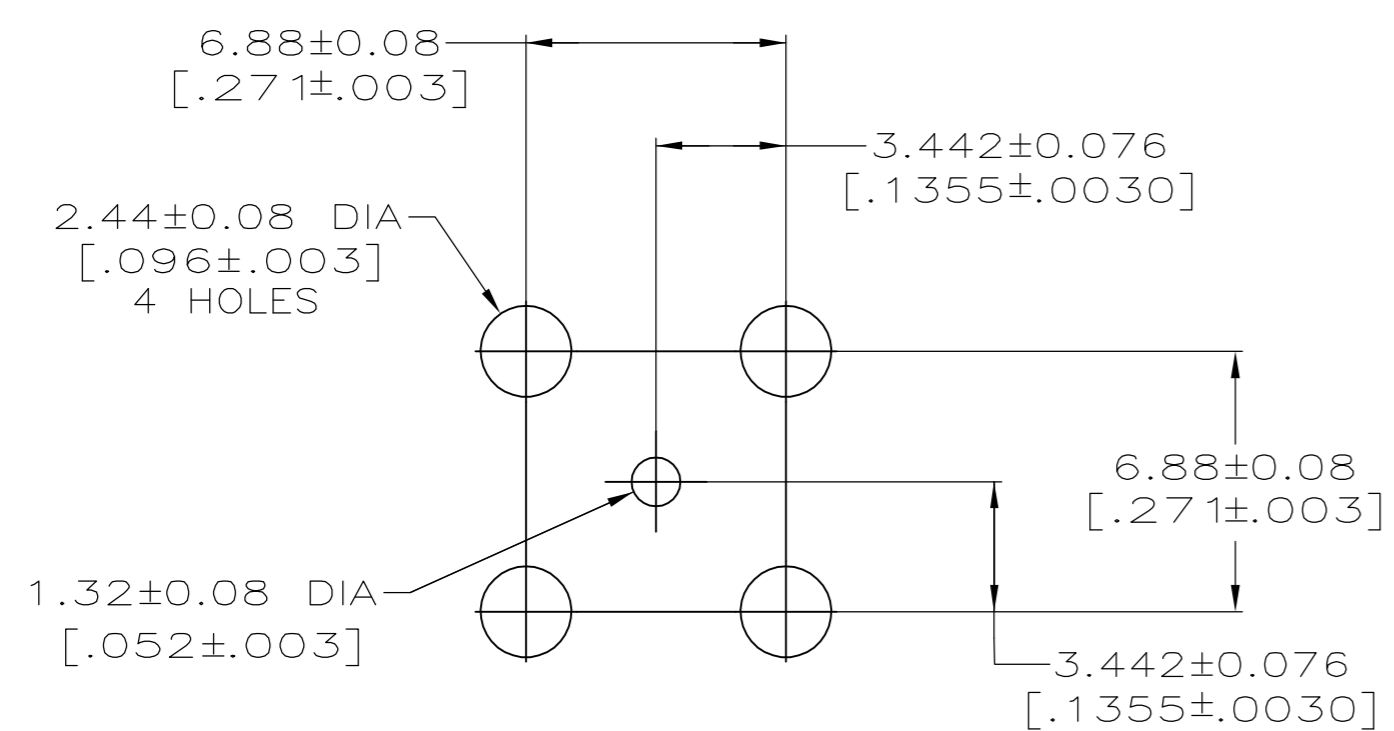
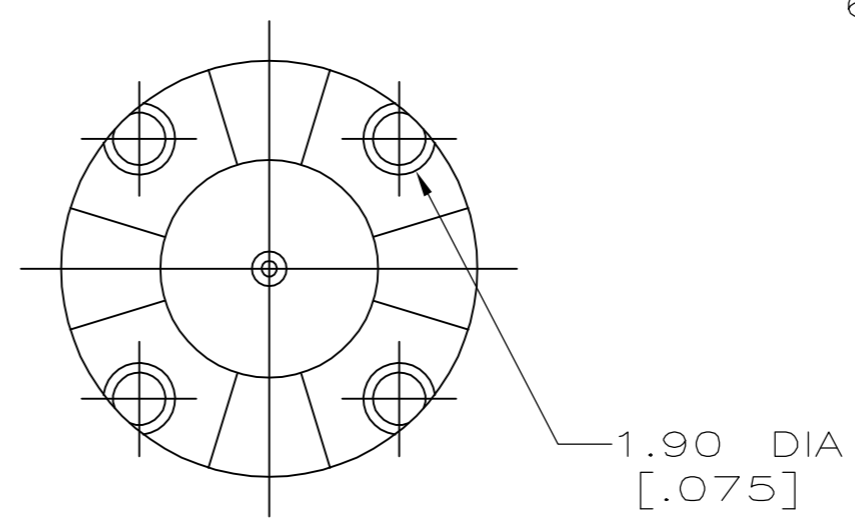
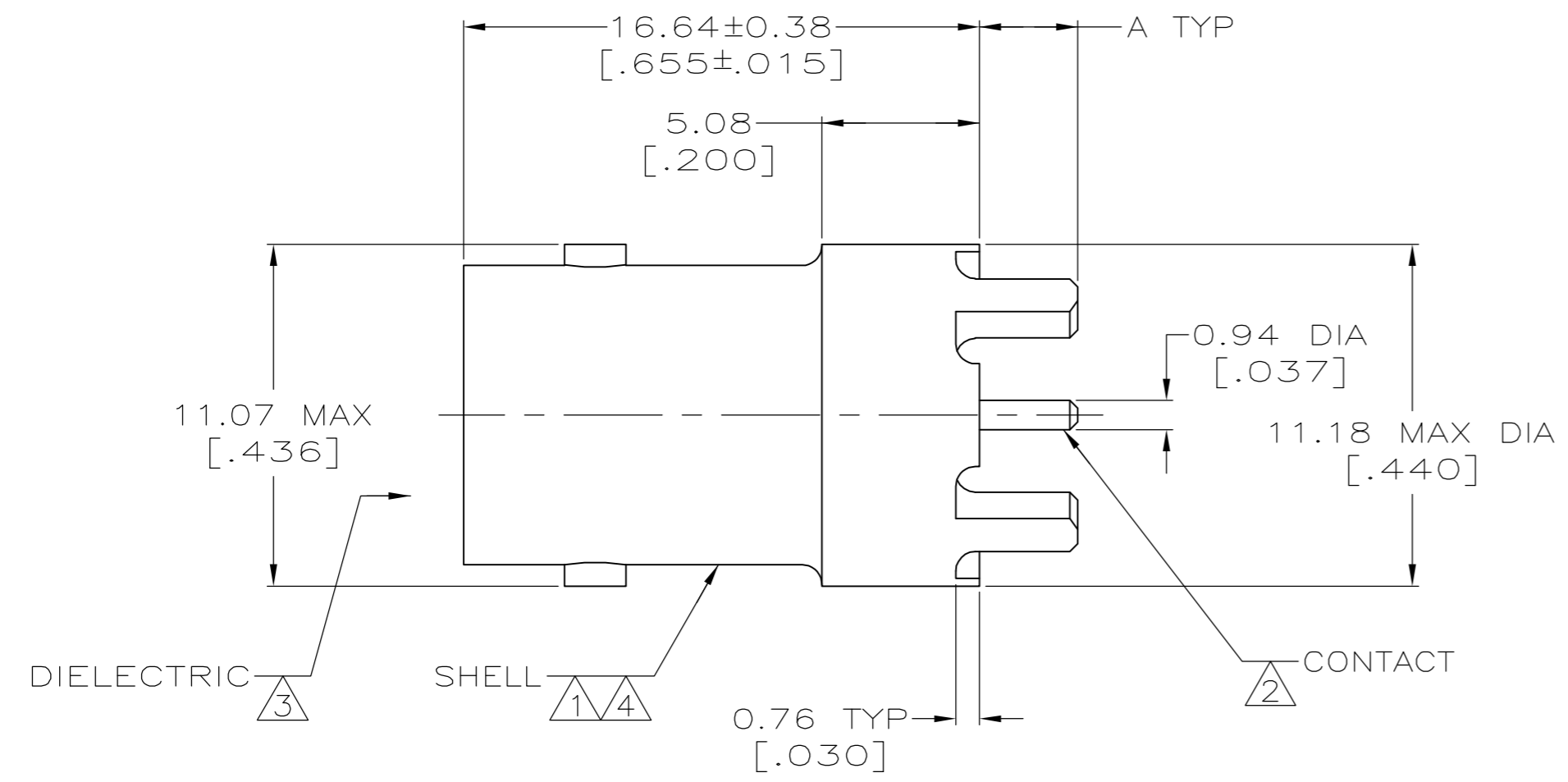


THIS DRAWING IS UNPUBLISHED. RELEASED FOR PUBLICATION  
 © COPYRIGHT BY TYCO ELECTRONICS CORPORATION. ALL RIGHTS RESERVED.

LOC	DIST	REVISIONS			
P	LTR	DESCRIPTION	DATE	DWN	APVD
AJ	16	A	REVISED PER ECO-06-012234	31MAY2006	KS JH

- ① ZINC PER QQ-Z-363.
- ② PHOSPHOR BRONZE PER ASTM-B-139.
- ③ POLYESTER PER ASTM-D-3220.
- ④ TIN PLATE PER ASTM-B-545, 2.54 μm [.000100] MINIMUM THICK.
- ⑤ SILVER PLATE PER QQ-S-365 2.54 μm [.000100] MINIMUM THICK.
- 6. SEE INSTRUCTION SHEET 408-9889.



SUGGESTED PCB CONFIGURATION

⑤	3.17 [.125]	5414305-1
CONTACT FINISH	A	PART NO

THIS DRAWING IS A CONTROLLED DOCUMENT.		DWN J. ALCORTA - DOCK5 26APR2005	Tyco Electronics Corporation Harrisburg, PA 17105-3608	
DIMENSIONS: mm [INCHES]		CHK J. HAVENER 26APR2005		
TOLERANCES UNLESS OTHERWISE SPECIFIED:		APVD J. LIPPERT 26APR2005	NAME	
0 PLC ± -		PRODUCT SPEC		
1 PLC ± -		108-12078		
2 PLC ± 0.20 [.008]		APPLICATION SPEC		
3 PLC ± -		SIZE		
4 PLC ± -		CAGE CODE		
ANGLES ± -		DRAWING NO		
FINISH		RESTRICTED TO		
MATERIAL SEE NOTES 1 - 3		A2 00779 C=5414305		
SEE NOTES 4 - 5		SCALE 5:1 SHEET 1 of 1 REV A		
CUSTOMER DRAWING				