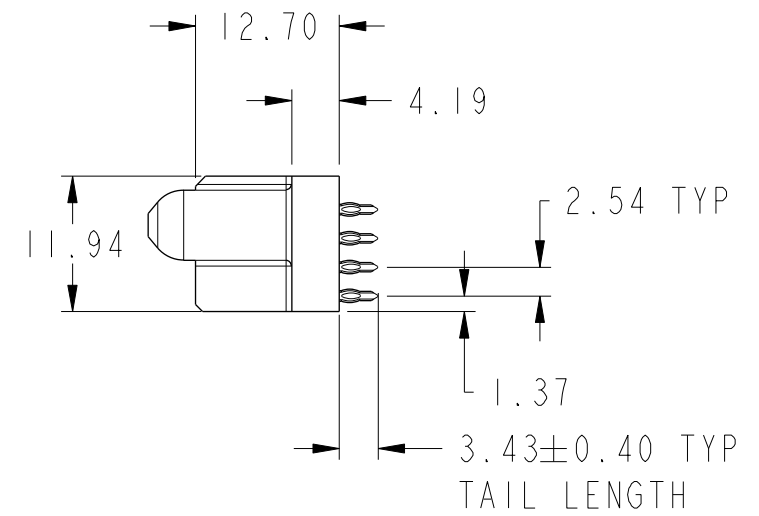
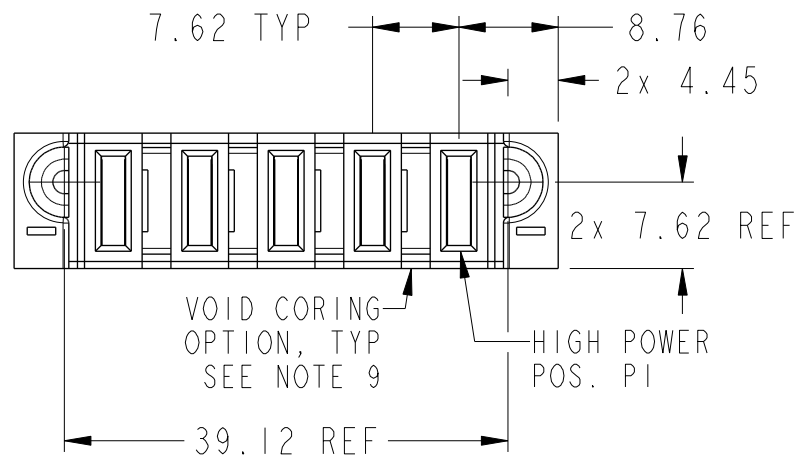
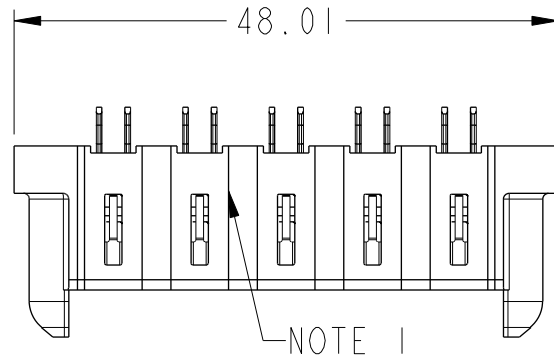
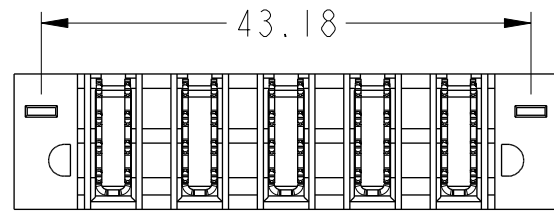


PRODUCT NUMBER SEE SHEET 2



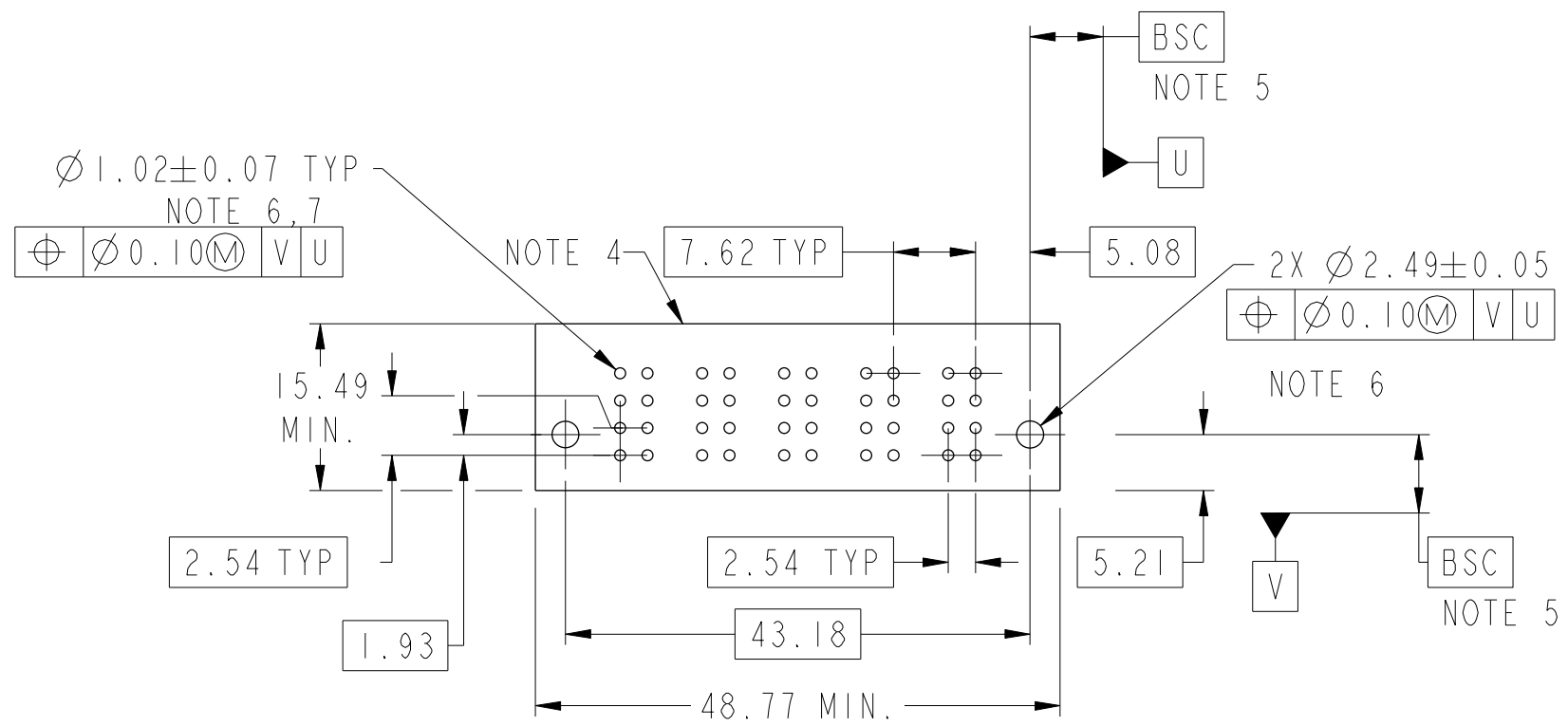
spec ref		dr	Rainbow Zhan	2015/01/07	projection	MM	size	A3	scale	3:2
tolerance std		eng	Rainbow Zhan	2015/01/15			ecn no		-	
ASME Y14.5		chr	-	-			rel level		Released	
TOLERANCES UNLESS OTHERWISE SPECIFIED		appr	Pei-Ming Zheng	2015/01/15	product family		PowerBlade+		-	
surface		linear	0.X	±0.50		title 5ACP VT PF RECEPTACLE		dwg no 10106123-5000001	rev A	
			0.XX	±0.25						
			0.XXX	±0.10						
ASME Y14.5		angular	0°	±2°	www.fci.com	cat. no.	Product - Customer Drw		sheet 1 of 3	



Copyright FCI.

PRODUCT NO.	ROWS	HIGH POWER						
		E1	P5	P4	P3	P2	P1	E2
10106123-5000001LF	D C B A		HG	HG	HG	HG	HG	

CODE	DESCRIPTION
HG	STD HIGH POWER CONTACT (3.43)



Copyright FCI.

dr	Rainbow Zhan	2015/01/07	projection	MM	size	A3	scale	3:2			
eng	Rainbow Zhan	2015/01/15		← →	ecn no	-	rel level	Released			
chr	-	-									
appr	Pei-Ming Zheng	2015/01/15	product family	PowerBlade+							
			title		5ACP		dwg no		10106123-5000001	rev	A
www.fci.com			cat. no.		Product - Customer Drw			sheet 2 of 3			

A

B

C

D

A

B

C

D

NOTES:

- 1) "FCI", PART NUMBER AND DATE CODE TO BE MARKED ON THIS SURFACE.  
THE MARK CAN BE OMITTED IF THERE IS NOT ENOUGH SPACE ON THIS SURFACE.
- 2) MATERIALS:  
-HOUSING - GLASS FILLED WITH HIGH TEMP THERMOPLASTIC, UL94V-0.  
-SIGNAL CONTACT - COPPER ALLOY.  
-POWER CONTACT - HIGH CONDUCTIVITY COPPER ALLOY.
- 3) PLATING SPECIFICATION REFER TO FCI 10116351
- 4) DENOTES CONNECTOR KEEP OUT ZONE.
- 5) DATUM AND BASIC DIMENIONS WERE ESTABLISHED BY CUSTOMER.
- 6) ALL HOLE DIAMETERS ARE FINISHED HOLE SIZES.
- 7) 1.15 ± 0.025MM DRILLED HOLE PLATED WITH 0.00762MM MIN Sn  
OVER 0.0254-0.0762MM Cu PLATING TO ACHIEVE A 1.02 ± 0.07MM HOLE.
- 8) PRODUCT SPECIFICATION REFER TO FCI GS-12-658.  
APPLICATION SPECIFICATION REFER TO FCI GS-20-141.  
PRODUCT PACKAGED IN TRAYS, REFER TO FCI GS-14-1502.
- 9) THE VOID CORING IN BETWEEN POWER MODULES, SIGNAL  
MODULES AND END MODULES ARE OPTIONAL AND THE SHAPE  
MAY BE DIFFERENT FOR OPTIMIZE THE MOLDING PROCESS. THE  
VOID CORING WILL NOT EFFECT TO PRODUCT FUNCTION.



Copyright FCI.

dr	Rainbow Zhan	2015/01/07	projection 	MM ←→	size	A3	scale	1:1		
eng	Rainbow Zhan	2015/01/15			ecn no	-				
chr	-	-			rel level	Released				
appr	Pei-Ming Zheng	2015/01/15	product family	PowerBlade+						
		title		5ACP		dwg no		10106123-5000001	rev	A
www.fci.com		cat. no.		Product - Customer Drw			sheet 3 of 3			