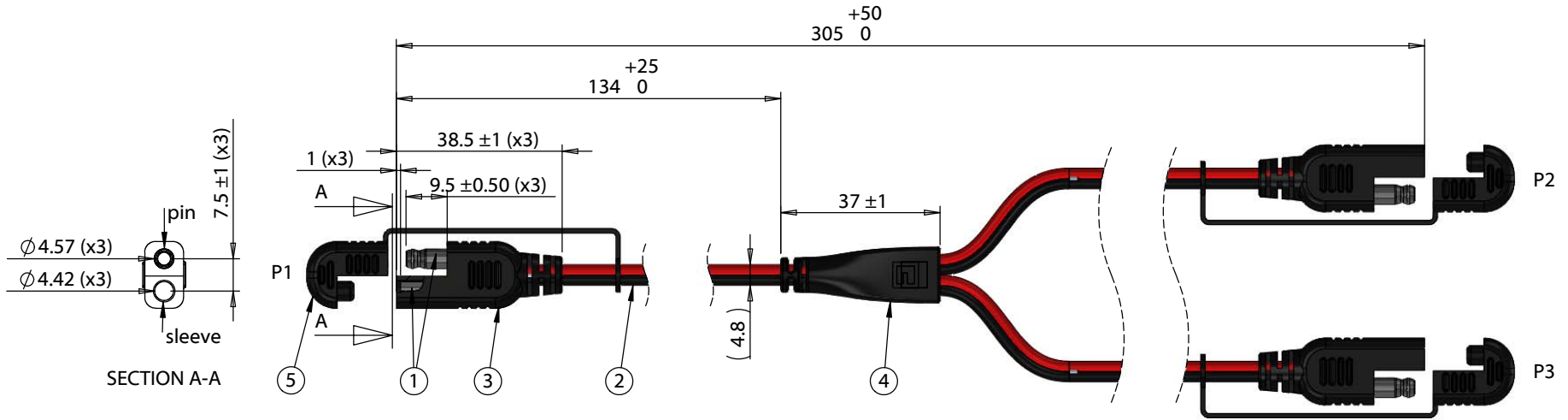


ITEM NO.	PART NUMBER	DESCRIPTION	QTY.	COMPONENT NOTES
1	50-00550	Connector, 4.75x10.2mm SAE, brass nickel plated, molding type	3	
2	30-00792	Wire, 2C TS, 16 AWG, UL2651, 300V, 105C, 4.8 mm, VW-1, PVC, red and black	3	
3	24-00176	Overmold, SAE connector, PVC, black	3	black, 105 °C
4	24-00195	Overmold, Y Split, PVC	1	black, 105 °C
5	55-00059	Dust cap, SAE connector, overmold fit	3	black, 105 °C



Notes:
Functionally equivalent components may be substituted

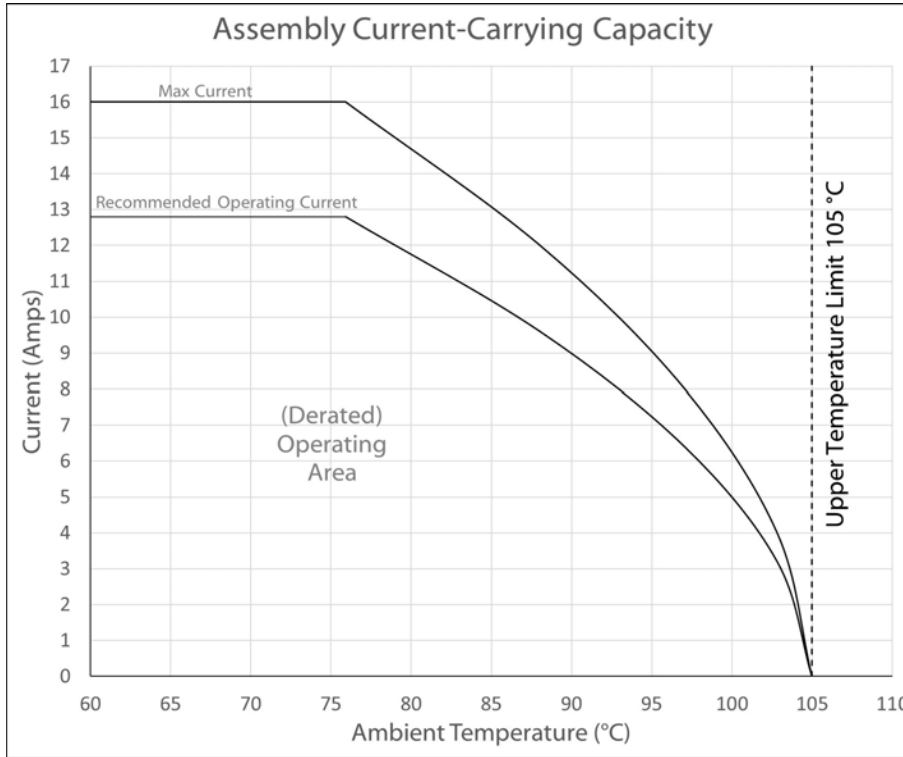
Wiring Diagram		
P1	wire color	P2 & P3
pin	red (+)	sleeve
sleeve	black (-)	pin

Revision:	Date:	Description:	Prepared:	Notes: RoHS and REACH compliant	<h1>TENSILITY</h1> <p>tel 1.541.323.3228 800 877.670.7118 fax 1.541.323.4202 web tensility.com</p>
A	1/16/2017	Initial release	Verified:		
			Dimensions are in millimeters. Tolerances: X: ± 0.5 mm X.X: ± 0.3 mm X.XX: ± 0.05 mm	Description: Cable, 305 mm, 50-00550 SAE to Y split to two 50-00550 SAE, 16 AWG, UL2651, 30-00792, R-B wire, caps	Size: A
					Part number: 10-02410
					Scale: 2:3
					Sheet 1 of 2


Electrical Requirements

Operating Voltage: 48 Vdc

Max Current: 16 A



Testing based on IEC 60512-5-2. Max current curve generated with isolated test article under controlled environmental conditions, and does not take into account external factors such as housings or circuitry. Recommended operating current curve (derated to 80% of max values) accounts for external factors, manufacturing variation, and error in temperature measurements.

Revision:	Date:	Description:	Prepared:	Notes: RoHS and REACH compliant	<h1>TENSILITY</h1> <p>tel 1.541.323.3228 800 877.670.7118 fax 1.541.323.4202 web tensility.com</p>
A	1/16/2017	Initial release	Verified:		
			Dimensions are in millimeters. Tolerances: X: ± 0.5 mm X.X: ± 0.3 mm X.XX: ± 0.05 mm	Description: Cable, 305 mm, 50-00550 SAE to Y split to two 50-00550 SAE, 16 AWG, UL2651, 30-00792, R-B wire, caps	Size: A Part number: 10-02410
					Scale: 2:3  Sheet 2 of 2