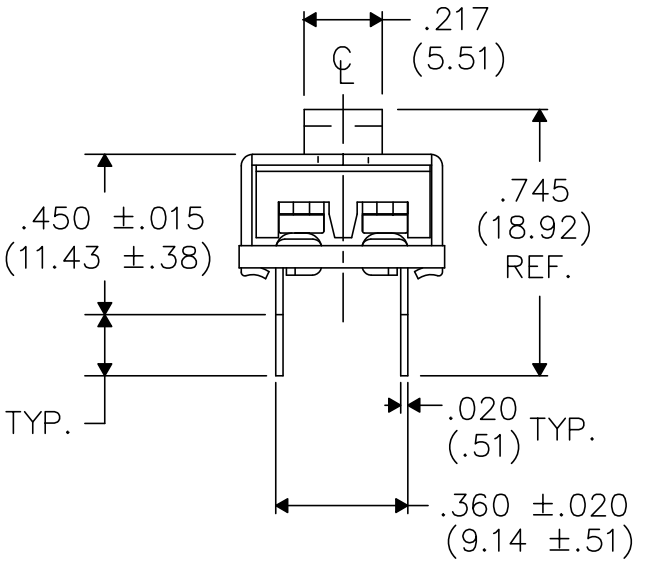
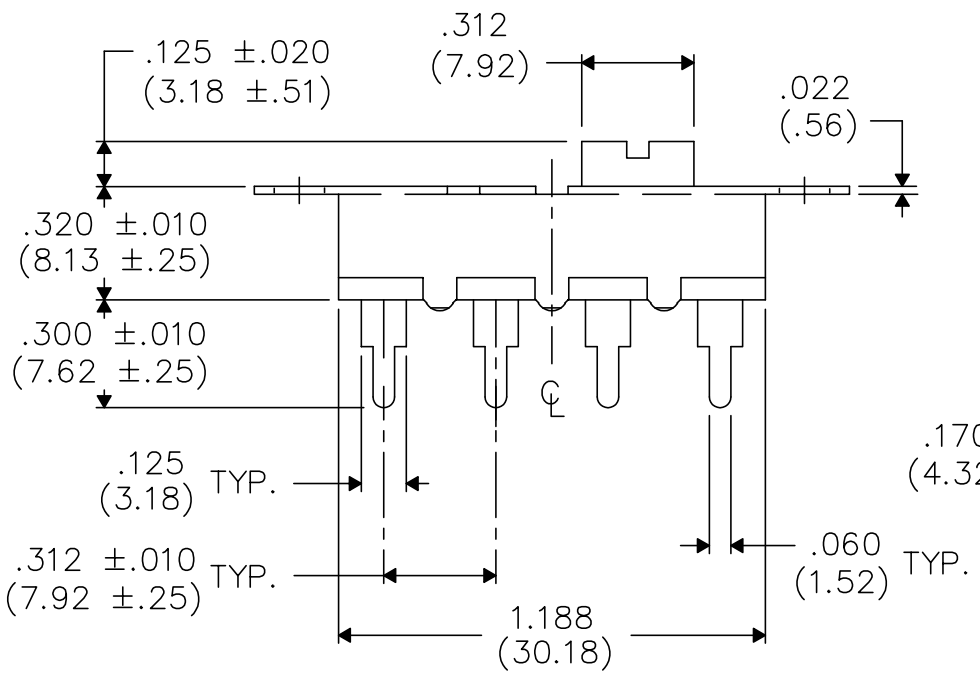
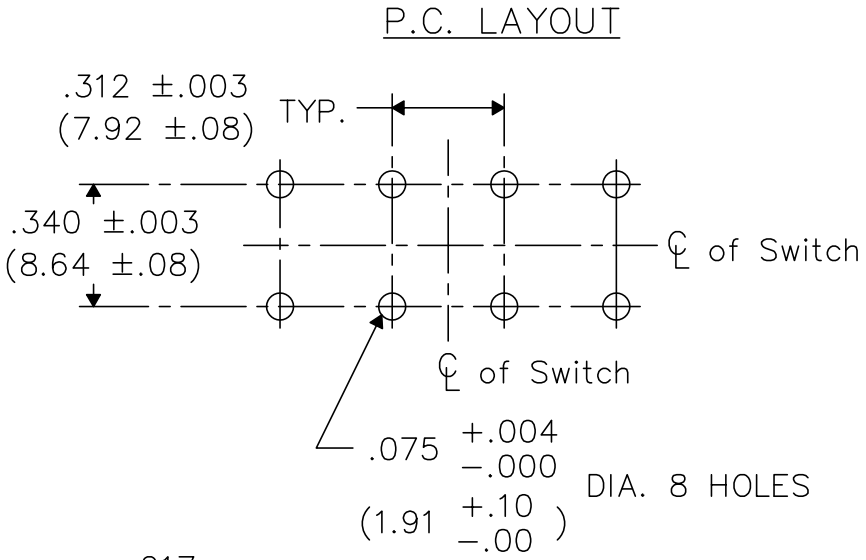
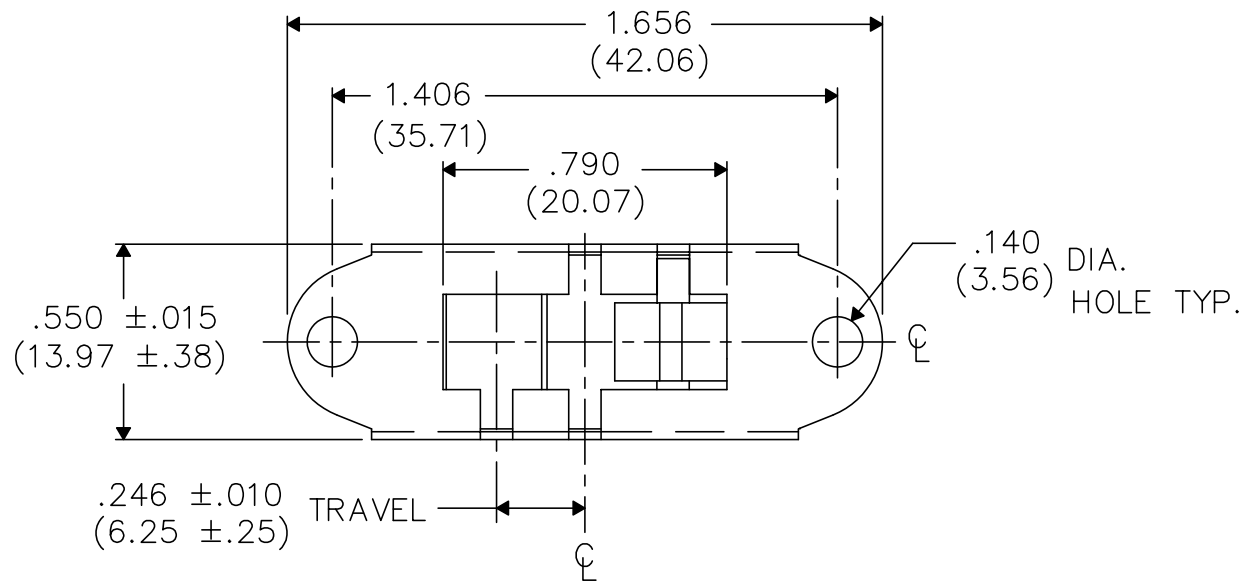


DIMENSIONS IN INCHES (MILLIMETERS)  
DO NOT SCALE DRAWING .....

Dwg. No.  
G-1128S-0060



1 2 3 4 5 6 7 8 9 10

B-FORMAT 2002  
REVISIONS  
0  
RELEASED.  
DGW 6-11-2003  
June 11, 2003

**CW INDUSTRIES**  
Southampton, Pa. 18966

TOLERANCES UNLESS OTHERWISE SPECIFIED	
2 Place Decimal ±.010	METRIC
3 Place Decimal ±.005	1 Place Dec. ±.25mm
Angles ..... ±1°	2 Place Dec. ±.13mm

Made for: CW IND.  
 Drawn by: DGW 6-11-2003  
 Checked by: GG 6-11-03  
 Approval: BF 6-11-3

Title: SWITCH ASSEMBLY  
D.P./3 POS.  
W/SCREW DRIVER  
SLOT BUTTON

Division: SWITCH

Dwg. No.  
G-1128S-0060

PDF File Made