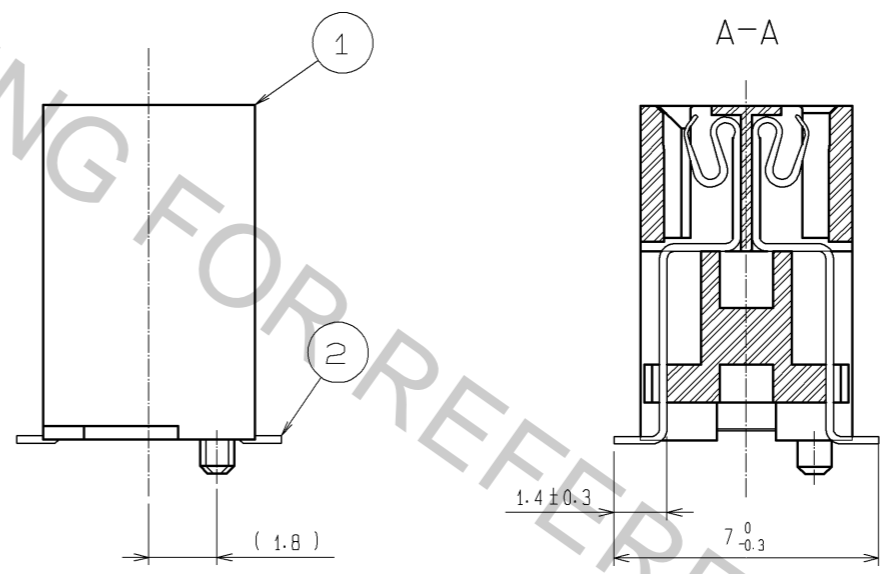
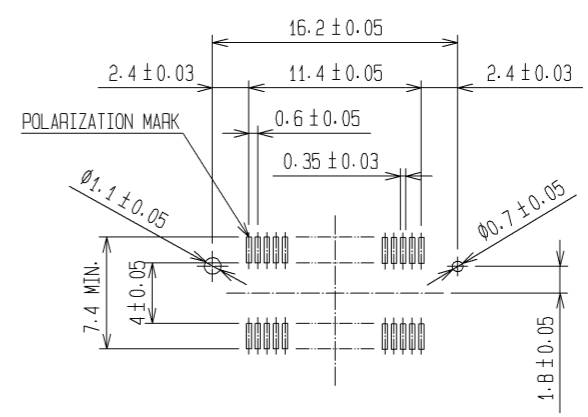


RECOMMENDED LAND PATTERN DIMENSION OF PCB (MOUNTING SIDE) (2:1)
(RECOMMENDED METAL MASK THICKNESS:0.15mm)



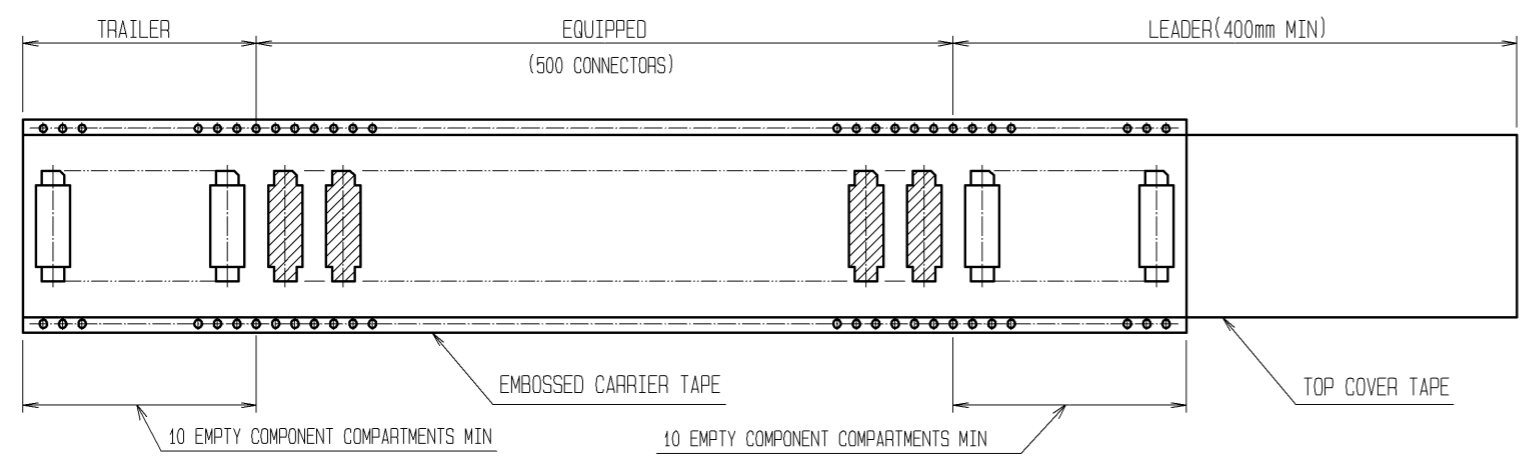
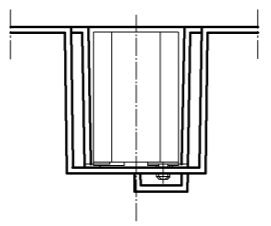
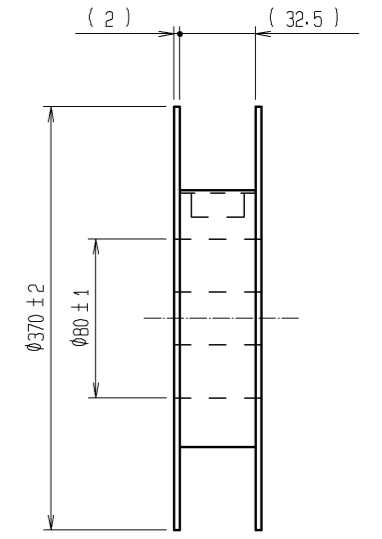
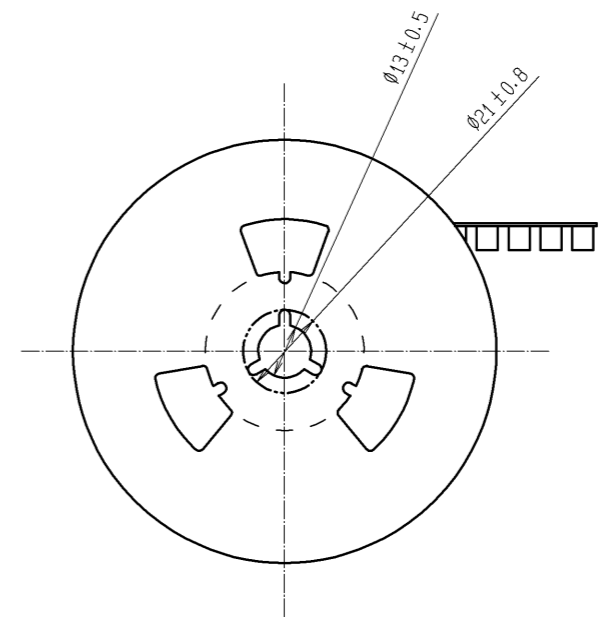
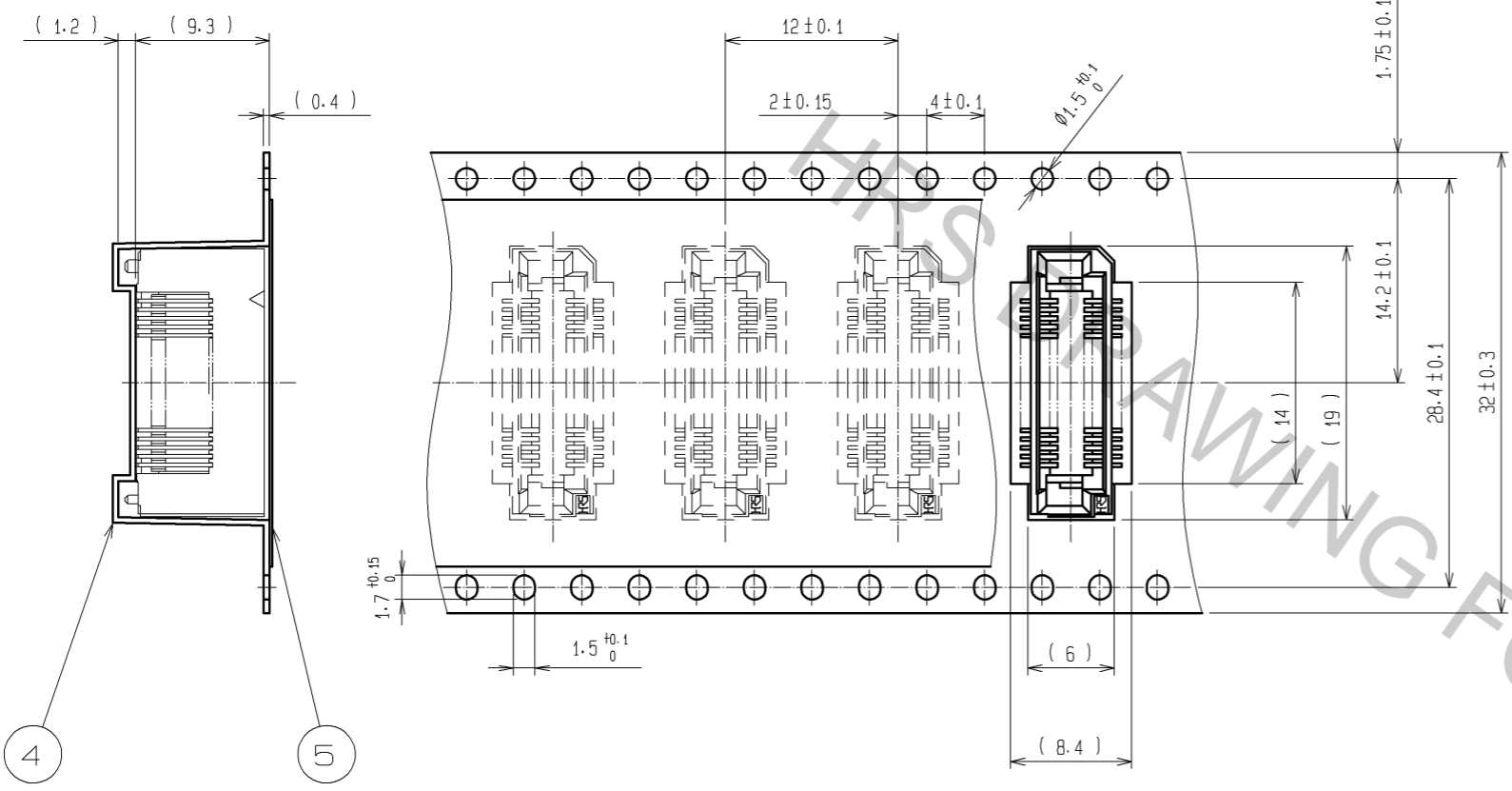
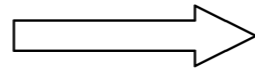
- NOTE 1. LEAD CO-PLANARITY SHALL BE 0.1mm MAX.
 2. EMBOSSED CARRIER TAPE PACKAGING SHALL BE APPLIED TO THIS PRODUCT. SEE NEXT PAGE FOR DETAILS.
 3. FOR MODIFICATION, ETC. PREVENTIVE HOLE FOR SINK MARK MAY BE ADDED ACCORDING TO CIRCUMSTANCES.
 4. THE DIMENSIONS IN PARENTHESES ARE FOR REFERENCE.

2	PHOSPHOR BRONZE	CONTACT AREA:GOLD 0.1μm min.			
		LEAD AREA:TIN-PLATING 1μm min.			
		UNDER PLATING:NICKEL1μm min.	5	POLYESTER	(TOP COVER TAPE)
1, 3	PPS	LIGHT BROWN(UL94V-0)	4	POLYSTYRENE	(EMBOSSED CARRIER TAPE)
NO.	MATERIAL	FINISH . REMARKS	NO.	MATERIAL	FINISH . REMARKS
UNITS	⊕	SCALE	COUNT	DESCRIPTION OF REVISIONS	
mm		5 : 1	△	DESIGNED	CHECKED
HRS HIROSE ELECTRIC CO., LTD.		APPROVED : HS. OKAWA	09. 11. 13	DRAWING NO. EDC3-151170-22	
		CHECED : HT. YAMAGUCHI	09. 11. 13	PART NO. FX8C-40S-SV5(92)	
		DESIGNED : SY. KAMIGA	09. 11. 12	CODE NO. CL578-0829-1-92	
		DRAWN : HK. SUNADORI	09. 11. 12	DATE	

EMBOSSED CARRIER TAPE DIMENSION(2:1)

REEL DIMENSION(FREE)

UNREELING DIRECTION



NOTE 1 1 REEL : 500 CONNECTORS
 2 THE DIMENSIONS IN PARENTHESES ARE FOR REFERENCE.

HRS	DRAWING NO.	EDC3-151170-22	2/2
	PART NO.	FX8C-40S-SV5(92)	
	CODE NO.	CL578-0829-1-92	