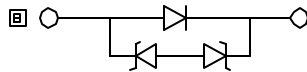
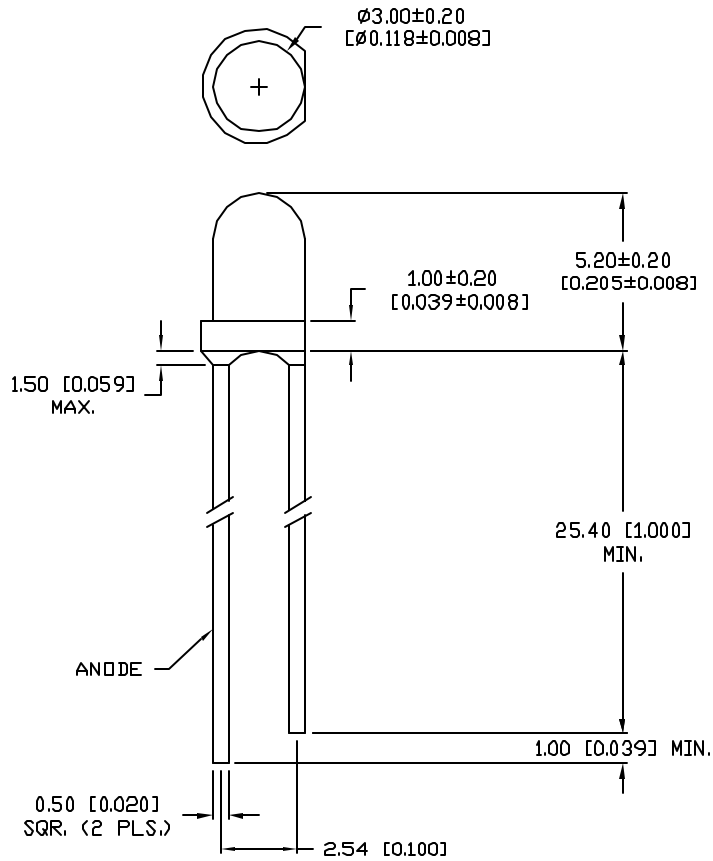


UNCONTROLLED DOCUMENT

PART NUMBER		REV.
SSL-LX3054UWC/B		B
REV.	E.C.N. NUMBER AND REVISION COMMENTS	DATE
A	E.C.N. #10509./	4-27-99
B	E.C.N. #11283.	1.6.06



☑ ELECTRO-OPTICAL CHARACTERISTICS $T_A=25^\circ\text{C}$

PARAMETER	SYMBOL	MIN	TYP	MAX	UNITS	TEST COND
PEAK WAVELENGTH			550 (WHITE)		nm	
FORWARD VOLTAGE	V_f		3.8	4.0	V	$I_f=20\text{mA}$
REVERSE VOLTAGE	V_r	5			V	$I_r=10\mu\text{A}$
AXIAL INTENSITY(*1)	I_v		900		mcd	$I_f=20\text{mA}$
CHROMATICITY	X		0.29			$I_f=10\text{mA}$
COORDINATES(*2)	Y		0.30			
VIEWING ANGLE			20		2x theta	
EMITTED COLOR:	WHITE					
EPOXY LENS FINISH:	WATER CLEAR					

*1. AXIAL INTENSITY TESTING CONDITION: 550nm WAVELENGTH.
 *2. THE ICI STANDARD COLORIMETRIC SYSTEM.

LIMITS OF SAFE OPERATION AT 25°C

PARAMETER	SYMBOL	MAX	UNITS
PULSE FORWARD CURRENT	I_p	100*	mA
STEADY CURRENT	I_f	30	mA
POWER DISSIPATION	P_D	120	mW
OPERATING TEMP.	T_{OPR}	-30 TO +80	°C
STORAGE TEMP.	T_{STG}	-40 TO +100	°C
SOLDERING TEMP.		+260	°C
2.0mm FROM BODY			3 SEC. MAX

*DUTY 1/10 PULSE WIDTH 10ms

CAUTION: STATIC SENSITIVE DEVICE
 FOLLOW PROPER E.S.D. HANDLING PROCEDURES
 WHEN WORKING WITH THIS PART.



UNCONTROLLED DOCUMENT

*UNLESS OTHERWISE SPECIFIED TOLERANCE IS $\pm 0.25\text{mm}$ ($\pm 0.010''$)

REV.	PART NUMBER
B	SSL-LX3054UWC/B
T-3mm (T-1) ULTRA WHITE LED, WATER CLEAR LENS.	

CONFIDENTIAL INFORMATION
 THE INFORMATION CONTAINED IN THIS DOCUMENT IS THE PROPERTY OF LUMEX INC. EXCEPT AS SPECIFICALLY AUTHORIZED IN WRITING BY LUMEX INC., THE HOLDER OF THIS DOCUMENT SHALL KEEP ALL INFORMATION CONTAINED HEREIN CONFIDENTIAL AND SHALL PROTECT SAME IN WHOLE OR IN PART FROM DISCLOSURE AND DISSEMINATION TO ALL THIRD PARTIES.

RELIABILITY NOTE
 OUR MANY YEARS OF EXPERIENCE DATA ACCUMULATION INDICATE THAT SOLDER HEAT IS A MAJOR CAUSE OF EARLY AND FUTURE FAILURE. PLEASE PAY ATTENTION TO YOUR SOLDERING PROCESS.

LUMEX INCORPORATED		290 E. HELLEN ROAD PALATINE, ILLINOIS 60067 PHONE: 1-847-359-2790 WEB: HTTP://WWW.LUMEX.COM	
DRAWN BY:	CHECKED BY:	APPROVED BY:	DATE: 9-4-98
			PAGE: 1 OF 1
ck/du			SCALE: N/A