

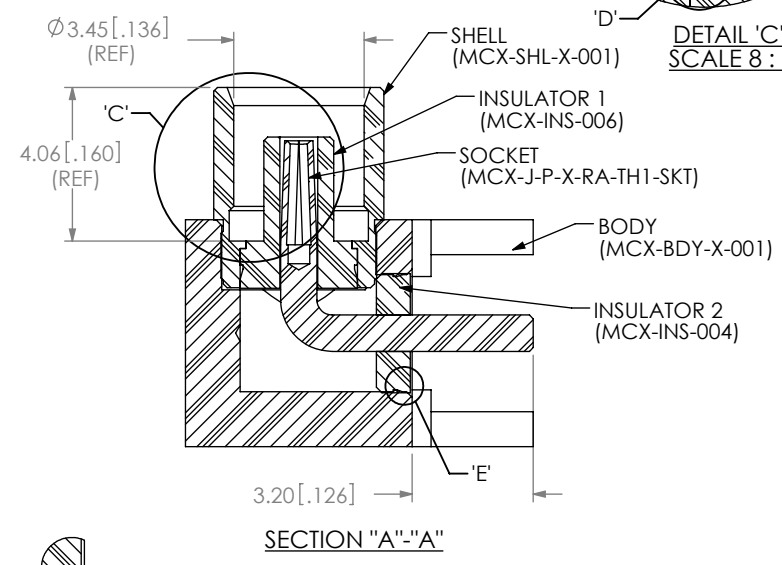
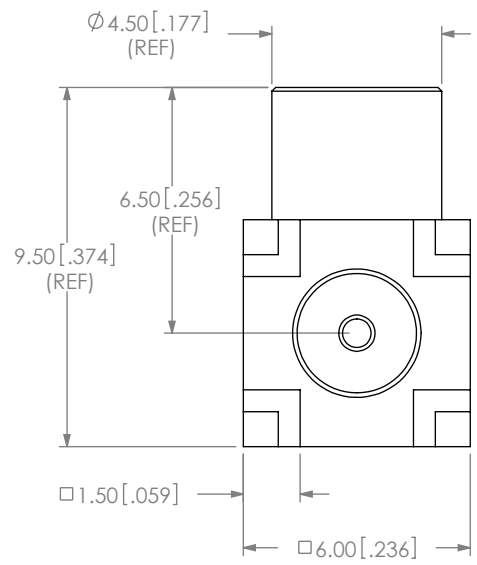
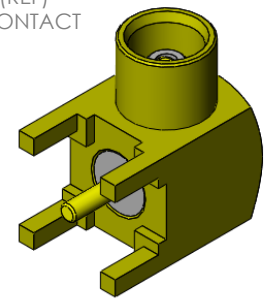
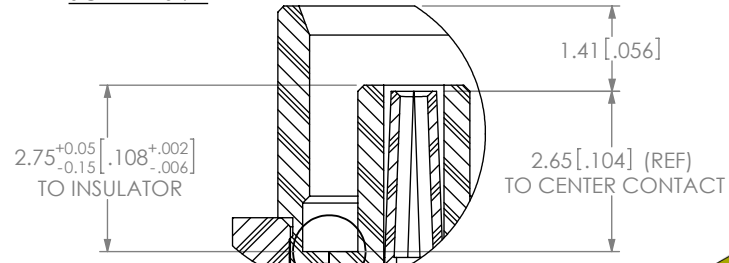
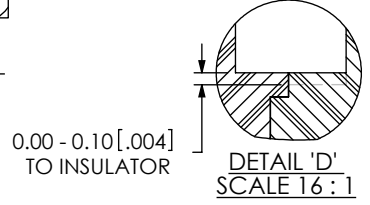
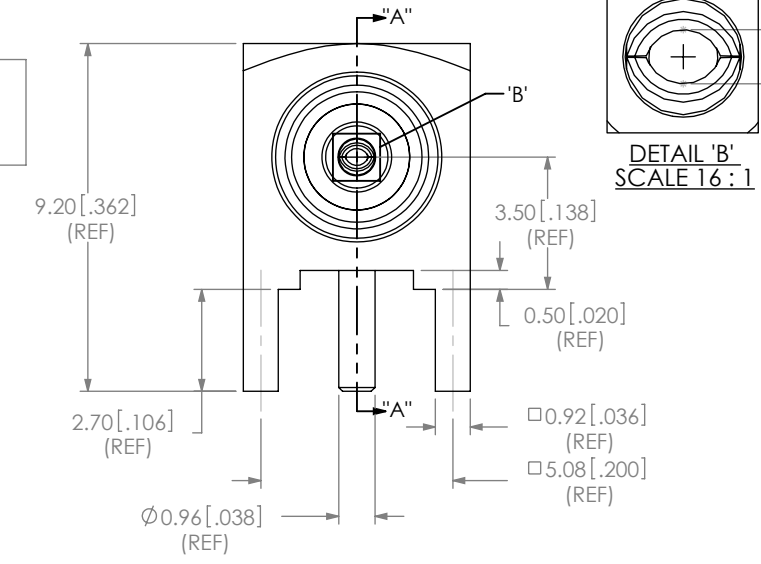
DESIGNED & DIMENSIONED
IN MILLIMETERS [INCHES]

MCX-J-P-X-RA-TH1

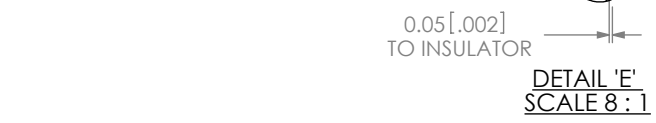
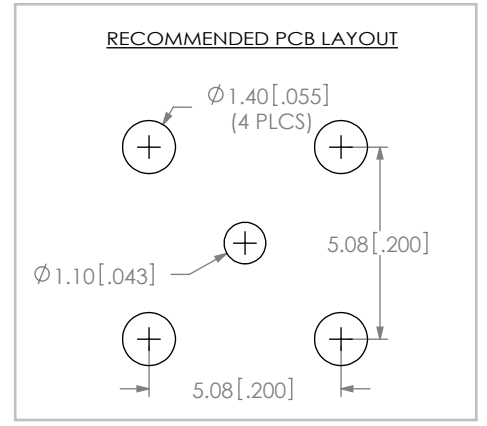
GENDER
-J: JACK
TERMINATION
-TH1: THROUGH HOLE
TYPE
-P: PCB
ORIENTATION
-RA: RIGHT ANGLE

PLATING SPECIFICATION
-H: HEAVY GOLD IN CONTACT
AREA, FLASH GOLD ON BALANCE

DO NOT
SCALE FROM
THIS PRINT



DETAIL 'C'
SCALE 8:1



c:\enterprisevault\DWG\MISC\MKTG\MCX-J-P-X-RA-TH1-MKT.SLDDRW

UNLESS OTHERWISE SPECIFIED, DIMENSIONS ARE IN MILLIMETERS. TOLERANCES ARE:
DECIMALS ANGLES
.X: ±0.3 [.01] 2°
.XX: ±0.13 [.005]
.XXX: ±0.051 [.0020]

PROPRIETARY NOTE
THIS DOCUMENT CONTAINS INFORMATION CONFIDENTIAL AND PROPRIETARY TO SAMTEC, INC. AND SHALL NOT BE REPRODUCED OR TRANSFERRED TO OTHER DOCUMENTS OR DISCLOSED TO OTHERS OR USED FOR ANY PURPOSE OTHER THAN THAT WHICH IT WAS OBTAINED WITHOUT THE EXPRESSED WRITTEN CONSENT OF SAMTEC, INC.

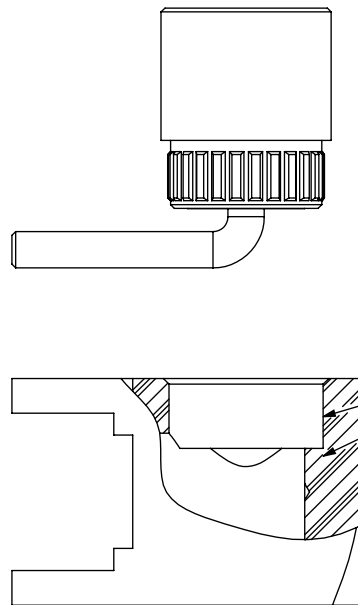
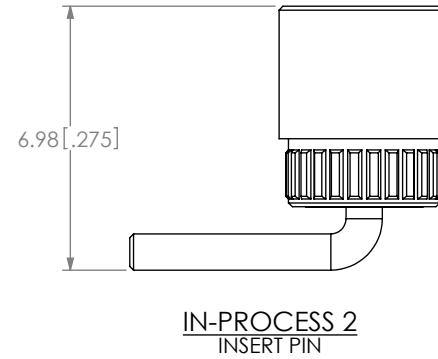
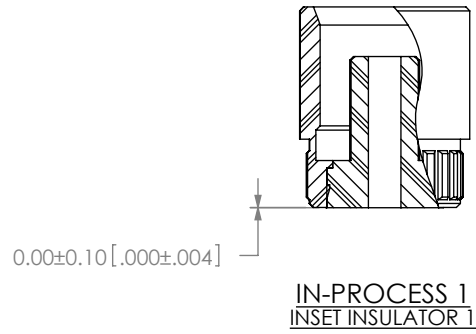


520 PARK EAST BLVD, NEW ALBANY, IN 47150
PHONE: 812-944-6733 FAX: 812-948-5047
e-Mail: info@SAMTEC.com code: 55322

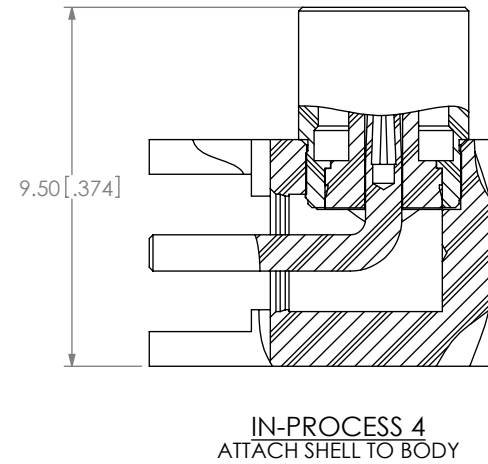
MATERIAL: DO NOT SCALE DRAWING SHEET SCALE: 5:1
SHELL: BRASS C3604B
BODY: BRASS C3604B
INSULATOR: PTFE (WHITE)
SOCKET: BeCu C17300

DESCRIPTION:
MCX RIGHT ANGLE, THROUGH HOLE JACK- 50 OHM
DWG. NO.
MCX-J-P-X-RA-TH1

- NOTES:
1. REPRESENTS A CRITICAL DIMENSION.
 2. PUSHOUT FORCE FOR INSULATOR: 20 N [4.5 LB] MIN.
 3. SEE CO-HD-WI-3040M RF PACKAGING FOR PACKAGING INSTRUCTIONS, USE SAMTEC TRAY TY-SMA001-1 AND TY-SMA001-2. QUANTITIES LESS THAN A FULL TRAY WILL NOT BE PACKAGED IN TRAYS.
 4. RoHS COMPLIANT.



ADD ADHESIVE AROUND ENTIRE CIRCUMFERENCE. USE LOCTITE 638 RETAINING COMPOUND.



PROPRIETARY NOTE
THIS DOCUMENT CONTAINS INFORMATION CONFIDENTIAL AND PROPRIETARY TO SAMTEC, INC. AND SHALL NOT BE REPRODUCED OR TRANSFERRED TO OTHER DOCUMENTS OR DISCLOSED TO OTHERS OR USED FOR ANY PURPOSE OTHER THAN THAT WHICH IT WAS OBTAINED WITHOUT THE EXPRESSED WRITTEN CONSENT OF SAMTEC, INC.

DO NOT SCALE DRAWING

SHEET SCALE: 5:1



520 PARK EAST BLVD, NEW ALBANY, IN 47150
PHONE: 812-944-6733 FAX: 812-948-5047
e-Mail: info@SAMTEC.com code: 55322

DESCRIPTION:
MCX RIGHT ANGLE, THROUGH HOLE JACK- 50 OHM

DWG. NO.
MCX-J-P-X-RA-TH1

BY: R MUSSER 02/06/2008 SHEET 2 OF 2