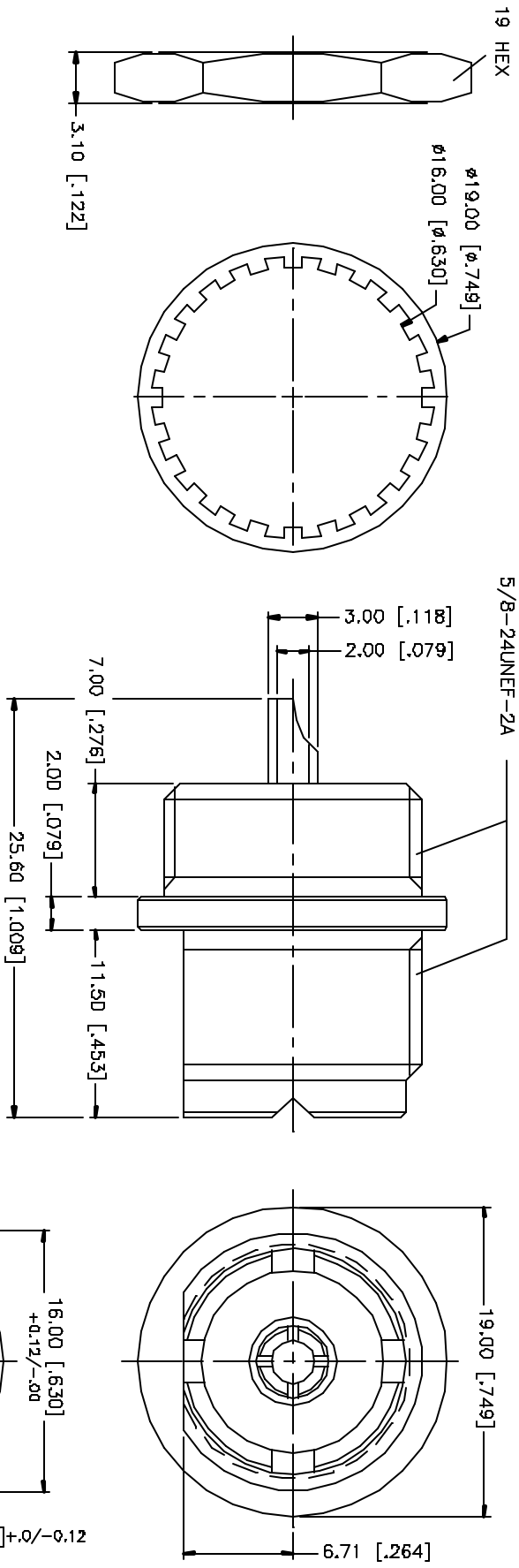
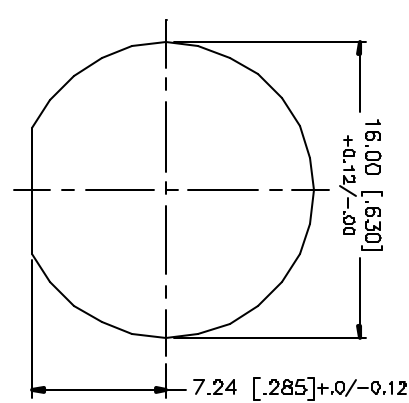


REV.	DATE	DESCRIPTION
A	05/15/05	UPDATE DRAWING FORMAT / ADD FLAT



NOTE:  
1. PIN TO WITHSTAND 4 INCH-OUNCE RADIAL FORCE.

RECOMMENDED  
MOUNTING HOLE



NO.	DESCRIPTION	MATERIAL	FINISH	QTY
8				
7				
6				
5	HEX NUT	BRASS	NICKEL	1
4	LOCK WASHER	BRASS	NICKEL	1
3	CONTACT PIN	BRASS	NICKEL	1
2	INSULATOR	TEFLON	NATURAL	1
1	BODY	BRASS	NICKEL	1
	DESCRIPTION	MATERIAL	FINISH	QTY

APPROVALS	DATE
DRAWN G.R.S.	05/15/05
CHECKED	
INSPECTED	
SHEET 1 OF 1	

UNLESS OTHERWISE SPECIFIED DIMENSIONS ARE IN MILLIMETERS (DIMENSIONS IN PARENTHESIS ARE IN INCHES AND FOR DIMENSION REFERENCE ONLY.)
UNLESS OTHERWISE SPECIFIED TOLERANCES FOR MILLIMETERS ARE: 0.5 - 8mm ± 0.20mm 8 - 30mm ± 0.40mm 30 - 120mm ± 0.50mm
UNLESS OTHERWISE SPECIFIED DIMENSIONS FOR INCHES ARE: .020 - .315 = ± 0.0075" .315 - 1.180 = ± 0.015" 1.180 - 4.724 = ± 0.020"
DO NOT SCALE DRAWING

APPROVALS	DATE
DRAWN G.R.S.	05/15/05
CHECKED	
INSPECTED	
SHEET 1 OF 1	

PART DESCRIPTION	PART NO.
UHF BULKHEAD RECEPTACLE REAR MOUNT	182320

DWG. NO.	REV.	SIZE	SCALE
182320.DWG	A	A	NA

**Amphenol Connex**