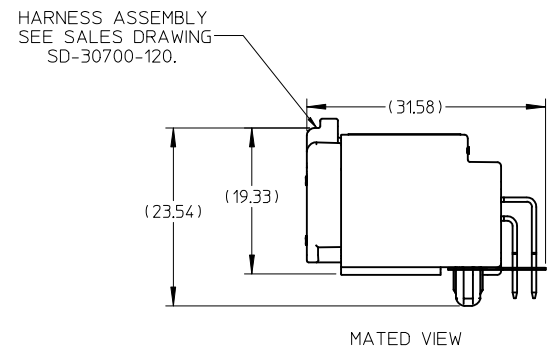
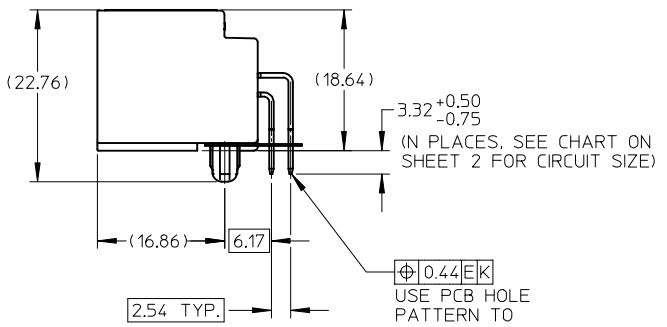
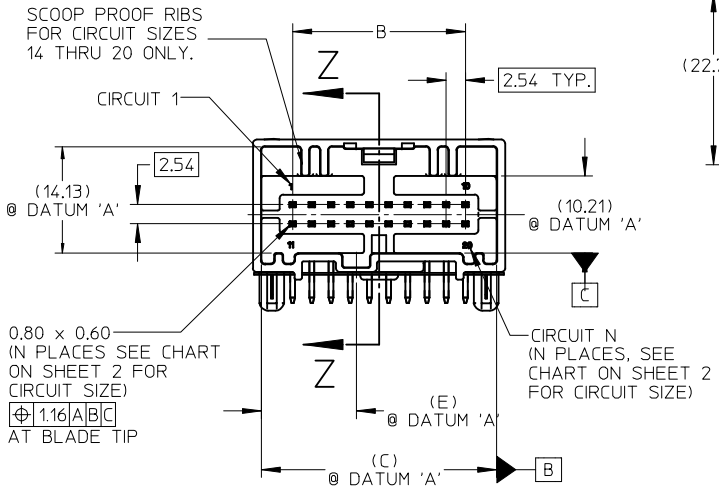
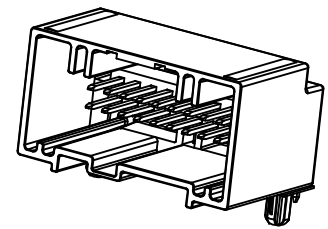
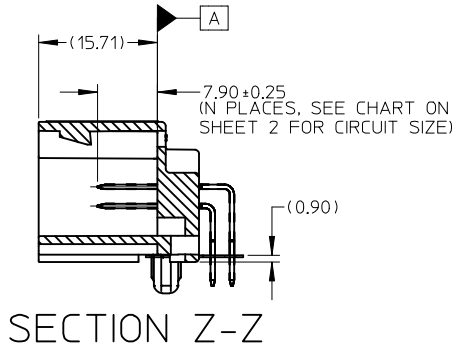


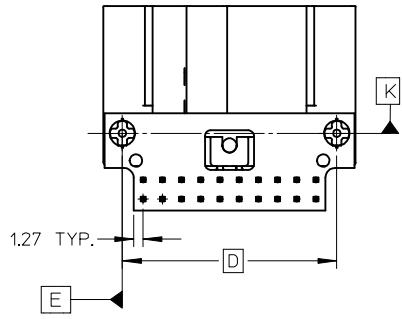
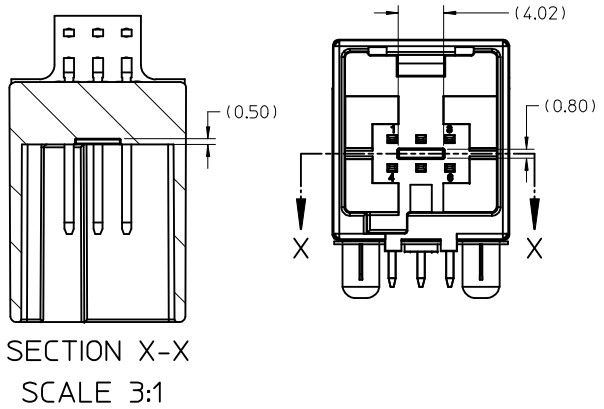
20 CIRCUIT RIGHT ANGLE HEADER ASSEMBLY SHOWN



NOTES:

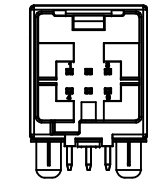
- MATERIAL: HOUSING: SPS, GLASS FILLED, COLOR: SEE CHART. TERMINAL: COPPER ALLOY, PIN ALIGNMENT PLATE: MYLAR, COLOR: NATURAL (WHITE).
- FINISHES: TERMINAL: TIN (Sn) OVERALL, THICKNESS = 15 MICROMETER MINIMUM, NICKEL (Ni) UNDERPLATE OVERALL.
- PRODUCT SPECIFICATION: PS-30700-0001
- PACKAGING SPECIFICATION : TUBE: PK-30907-227, TRAY: PK-30907-260
- MATES WITH: SERIES 30700, SEE SALES DRAWING SD-30700-120.
- DATECODE DESCRIPTION:
 - 1ST DIGIT: MACHINE ID# (ALWAYS WILL BE '2')
 - 2ND THROUGH 4TH DIGIT: DAY# OF THE CALENDAR YEAR (EXAMPLE: FEB. 3RD = '034')
 - 5TH DIGIT: LAST DIGIT OF THE CALENDAR YEAR (EXAMPLE: 1999 = '9')
 - 6TH THROUGH 7TH DIGIT: HOUR OF THE DAY.
- RECOMMENDED OPTIONAL SCREW: M2 x 0.89, 6mm IN LENGTH, PAN COLLAR HEAD, 6 LOBE. TORQUE: 7 NEWTON CENTIMETERS

BELOW VIEWS APPLY TO 30700-5067/8/9 PART NUMBERS

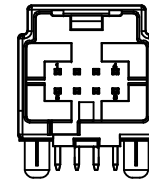


SEE ECN# UAU2001-0258 EC NO: UAU2014-1769 DRWN: JFISCHERO 2014/05/19 CHKD: APPR: RBAUMAN 2014/05/28	QUALITY SYMBOLS ▽ - 0 ▽ C - 0	GENERAL TOLERANCES (UNLESS SPECIFIED)		SCALE 2:1 DIMENSION STYLE MM ONLY	DESIGN UNITS METRIC	THIRD ANGLE PROJECTION	REVISE ON CAD ONLY	
		4 PLACES	± ---				± ---	DRAWN BY RCARLSON DATE 01/03/20
		3 PLACES	± ---	± ---	CHECKED BY DATE 01/03/27	MOLEX INCORPORATED		
		2 PLACES	± 0.13	± ---				APPROVED BY LGEIB DATE 01/03/28
DRAFT WHERE APPLICABLE MUST REMAIN WITHIN DIMENSIONS		ANGULAR ± 1 °		THIS DRAWING CONTAINS INFORMATION THAT IS PROPRIETARY TO MOLEX INCORPORATED AND SHOULD NOT BE USED WITHOUT WRITTEN PERMISSION				

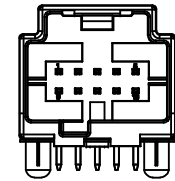
PACKAGING		POLARIZATION OPTIONS & CIRCUIT SIZE		PRODUCT DIMENSIONS					
ASSEMBLY P/N TRAY PACKED	ASSEMBLY P/N TUBE PACKED	RIGHT ANGLE HEADER ASSEMBLY (POLARIZATION OPTIONS)	CIRCUIT SIZE	A	B	(C)	D	(E)	HOUSING COLOR
30700-5207	30700-5204	POLARIZATION OPTION #1	20	33.39	22.86	31.14	28.38	12.57	GRAY
30700-5208	30700-5205	POLARIZATION OPTION #2	20	33.39	22.86	31.14	28.38	15.57	BLACK
30700-5209	30700-5206	POLARIZATION OPTION #3	20	33.39	22.86	31.14	28.38	18.57	NATURAL (CREAM)
30700-5187	30700-5184	POLARIZATION OPTION #1	18	30.85	20.32	28.60	25.84	11.31	GRAY
30700-5188	30700-5185	POLARIZATION OPTION #2	18	30.85	20.32	28.60	25.84	14.31	BLACK
30700-5189	30700-5186	POLARIZATION OPTION #3	18	30.85	20.32	28.60	25.84	17.31	NATURAL (CREAM)
30700-5167	30700-5164	POLARIZATION OPTION #1	16	28.31	17.78	26.06	23.30	10.04	GRAY
30700-5168	30700-5165	POLARIZATION OPTION #2	16	28.31	17.78	26.06	23.30	13.04	BLACK
30700-5169	30700-5166	POLARIZATION OPTION #3	16	28.31	17.78	26.06	23.30	16.04	NATURAL (CREAM)
30700-5147	30700-5144	POLARIZATION OPTION #1	14	25.77	15.24	23.52	20.76	8.77	GRAY
30700-5148	30700-5145	POLARIZATION OPTION #2	14	25.77	15.24	23.52	20.76	11.77	BLACK
30700-5149	30700-5146	POLARIZATION OPTION #3	14	25.77	15.24	23.52	20.76	14.77	NATURAL (CREAM)
30700-5120	30700-5124	POLARIZATION OPTION #1	12	23.23	12.70	20.98	18.22	7.50	GRAY
30700-5121	30700-5125	POLARIZATION OPTION #2	12	23.23	12.70	20.98	18.22	10.50	BLACK
30700-5122	30700-5126	POLARIZATION OPTION #3	12	23.23	12.70	20.98	18.22	13.50	NATURAL (CREAM)
30700-5100	30700-5104	POLARIZATION OPTION #1	10	20.69	10.16	18.44	15.68	6.23	GRAY
30700-5101	30700-5105	POLARIZATION OPTION #2	10	20.69	10.16	18.44	15.68	9.23	BLACK
30700-5102	30700-5106	POLARIZATION OPTION #3	10	20.69	10.16	18.44	15.68	12.23	NATURAL (CREAM)
30700-5080	30700-5084	POLARIZATION OPTION #1	8	18.15	7.62	15.90	13.14	4.96	GRAY
30700-5081	30700-5085	POLARIZATION OPTION #2	8	18.15	7.62	15.90	13.14	7.96	BLACK
30700-5082	30700-5086	POLARIZATION OPTION #3	8	18.15	7.62	15.90	13.14	10.96	NATURAL (CREAM)
30700-5060	30700-5064	POLARIZATION OPTION #1	6	15.61	5.08	13.36	10.60	3.69	GRAY
30700-5061	30700-5065	POLARIZATION OPTION #2	6	15.61	5.08	13.36	10.60	6.69	BLACK
30700-5062	30700-5066	POLARIZATION OPTION #3	6	15.61	5.08	13.36	10.60	9.69	NATURAL (CREAM)
30700-5067	TBD	POLARIZATION OPTION #1 (MOAT)	6	15.61	5.08	13.36	10.60	3.69	GRAY
30700-5068	TBD	POLARIZATION OPTION #2 (MOAT)	6	15.61	5.08	13.36	10.60	6.69	BLACK
30700-5069	TBD	POLARIZATION OPTION #3 (MOAT)	6	15.61	5.08	13.36	10.60	9.69	NATURAL (CREAM)



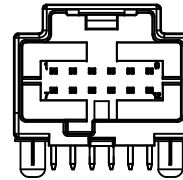
6 CIRCUIT RIGHT
ANGLE HEADER
30700-5060



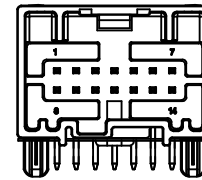
8 CIRCUIT RIGHT
ANGLE HEADER
30700-5080



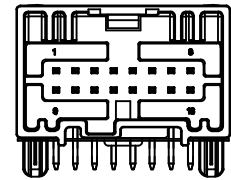
10 CIRCUIT RIGHT
ANGLE HEADER
30700-5100



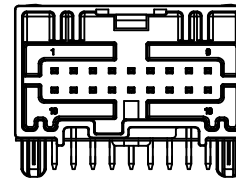
12 CIRCUIT RIGHT
ANGLE HEADER
30700-5120



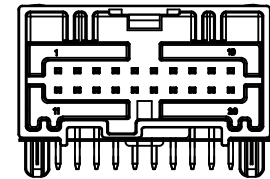
14 CIRCUIT RIGHT
ANGLE HEADER
30700-5147



16 CIRCUIT RIGHT
ANGLE HEADER
30700-5167

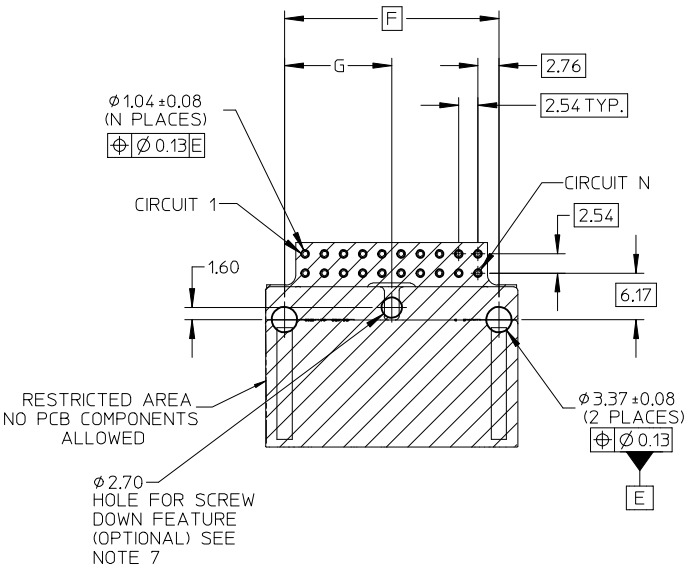


18 CIRCUIT RIGHT
ANGLE HEADER
30700-5187



20 CIRCUIT RIGHT
ANGLE HEADER
30700-5207

20 CIRCUIT PCB LAYOUT
SHOWN BELOW



PCB LAYOUT DIMENSIONS		
CIRCUIT SIZE (N)	28.38	14.91
18	25.84	12.92
16	23.30	11.65
14	20.76	10.38
12	18.22	9.11
10	15.68	7.84
8	13.14	6.57
6	10.60	5.30

PCB LAYOUT: COMPONENT SIDE
RECOMMENDED PCB THICKNESS: 1.57±0.17

SEE ECN# UAU2001-0258 EC NO: UAU2014-1769 DRWN: JFISCHERO 2014/05/19 CHKD: APPR: RBAIJMAN 2014/05/28	QUALITY SYMBOLS ▽ - 0 ▽ < - 0	GENERAL TOLERANCES (UNLESS SPECIFIED)	SCALE 2:1	DESIGN UNITS METRIC	THIRD ANGLE PROJECTION	REVISE ON CAD ONLY
B3	DESCRIPTION	mm INCH	DIMENSION STYLE MM ONLY		TITLE	
		4 PLACES ± --- ± ---			6-20 CIRCUIT RIGHT ANGLE HEADER ASSEMBLY	
		3 PLACES ± --- ± ---			DRAWN BY DATE	
		2 PLACES ± 0.13 ± ---			RCARLSON 01/03/20	
		1 PLACE ± 0.25 ± ---			CHECKED BY DATE	
		ANGULAR ± 1°			CKRISHNA 01/03/27	
		DRAFT WHERE APPLICABLE			APPROVED BY DATE	
		MUST REMAIN WITHIN DIMENSIONS			LGEIB 01/03/28	
					MATERIAL NO. DOCUMENT NO. SHEET NO. 2 OF 2	
					ENTER-PART SD-30700-520	

DRAWN BY DATE		MATERIAL NO. DOCUMENT NO. SHEET NO. 2 OF 2	
RCARLSON 01/03/20		ENTER-PART SD-30700-520	
CHECKED BY DATE		APPROVED BY DATE	
CKRISHNA 01/03/27		LGEIB 01/03/28	
THIS DRAWING CONTAINS INFORMATION THAT IS PROPRIETARY TO MOLEX INCORPORATED AND SHOULD NOT BE USED WITHOUT WRITTEN PERMISSION			