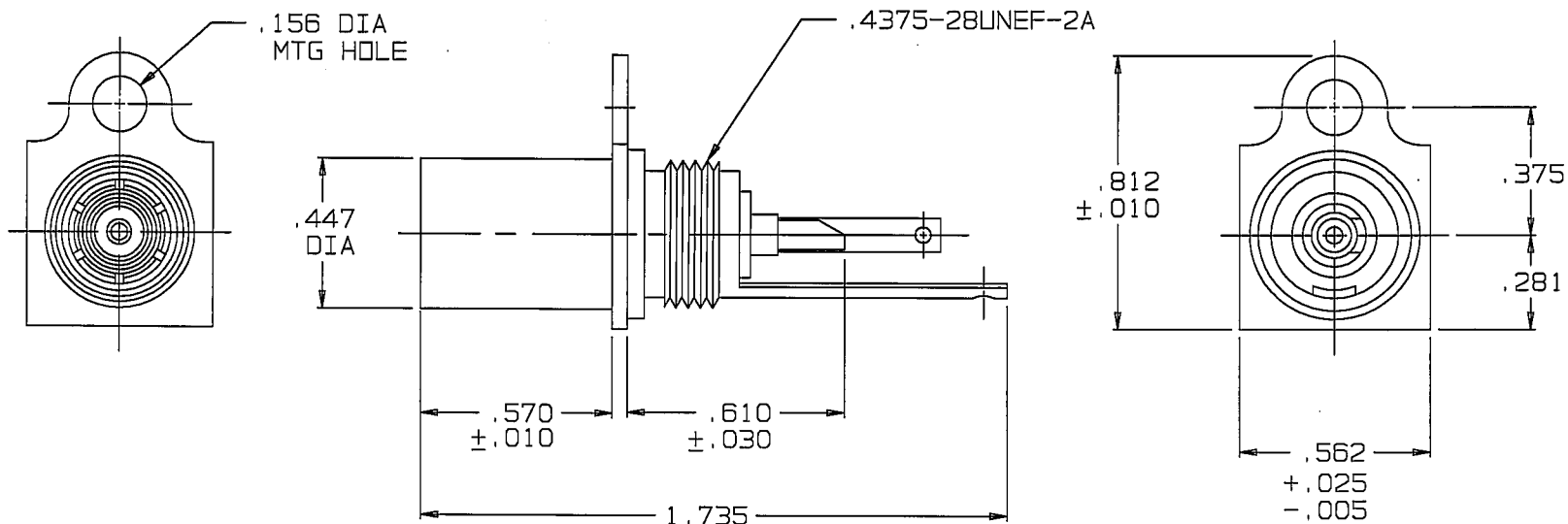


RED INDICATES ORIGINAL

DATA CONTAINED IN THIS DOCUMENT IS PROPRIETARY TO TROMPETER ELECTRONICS INC. AND SHALL NOT BE DISCLOSED, COPIED OR USED FOR PROCUREMENT OR MANUFACTURE WITHOUT EXPRESS WRITTEN PERMISSION.

REVISIONS			3-0019		SH 1C
REV	EO	DESCRIPTION	DWN	APPROVED	DATE
N	13477	SHEET 2, REVISED NOTE 4 TO: SHIELD & PIN ASSY. AT CONNECTOR INTERFACE SHOULD NOT ROTATE AT 6 IN. OZ. MAX. TORQUE; RELOCATE 4 TO INTERFACE AS MARKED; SEE ECO	DKC	<i>[Signature]</i>	6/23/00

INCH	MM	INCH	MM
.005	0.13	.447	11.35
.010	0.25	.562	14.27
.025	0.64	.570	14.48
.030	0.76	.610	15.49
.156	3.96	.812	20.62
.281	7.14	1.735	44.07
.375	9.53		



3. CONCENTRIC TWINAX/TRIAX SOLDER POT (REAR) PATCH JACK
2. FINISH: TFS-1A (NICKEL)
1. ALL DIM ARE IN INCHES

3-0006
NEXT ASSY

QTY	DESCRIPTION		PART NUMBER	ITEM
TOL UNLESS SPECIFIED		TROMPETER ELECTRONICS, INC.	J72D	
.XX ± .XXX ± .005 .XXXX ± ANGLES ±				
DWN	DKC	6-21-00	MATERIAL	CODE IDENT
CHK	<i>[Signature]</i>	6-23-00	—	14949
ENGR	<i>[Signature]</i>	—	—	—
APPR	<i>[Signature]</i>	6-23-00	SCALE 2/1	DATE 10/16/68
			DRAWING NO.	REV
			3-0019	N
			SHEET	1C