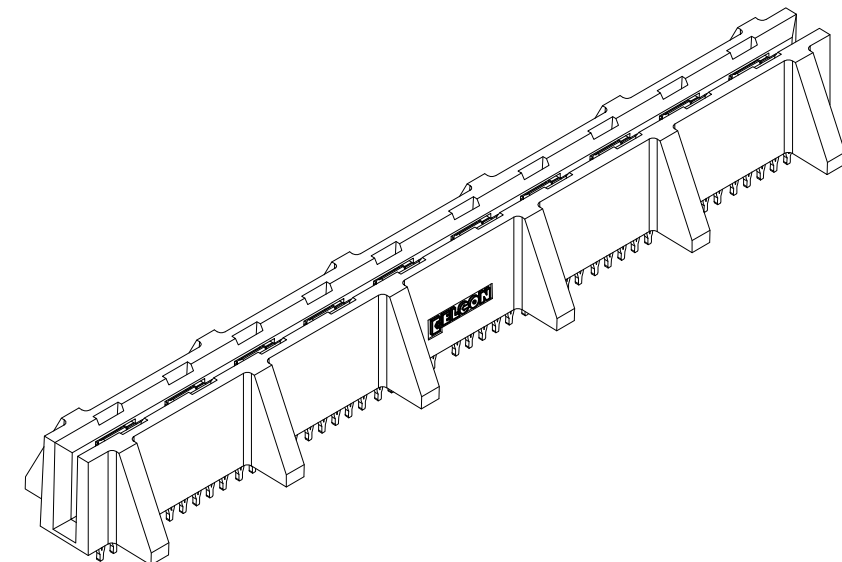


THIS DRAWING IS UNPUBLISHED. RELEASED FOR PUBLICATION
 © COPYRIGHT BY TYCO ELECTRONICS CORPORATION. ALL RIGHTS RESERVED.

LOC	DIST	REVISIONS					
GP	00	P	LTR	DESCRIPTION	DATE	DWN	APVD
		A		NEW RELEASED	16AUG07	RG	SF



NOTES: UNLESS OTHERWISE SPECIFIED;

1. PART NUMBER CHANGES AND OR DESIGN CHANGES AFFECTING ITEM INTERCHANGEABILITY REQUIRE PRIOR TYCO ELECTRONICS APPROVAL AND AUTHORIZATION BY REVISION TO THIS DRAWING.

2. MATERIALS:

INSULATORS: THERMOPLASTIC, GLASS REINFORCED, COLOR-BLACK, UL94V-0 FLAMMABILITY RATED.

POWER CONTACTS: PHOSPHOR-BRONZE ALLOY.
COPPER ALLOY.

CROWN BANDS: BERYLLIUM-COPPER ALLOY.

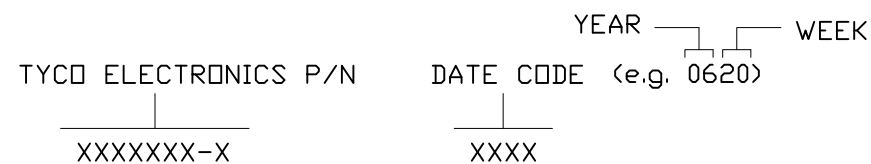
3. FINISHES:

CONTACTS: GOLD PLATE .000030" MIN. THK, OVER NICKEL .000040" MIN. THICKNESS.

TERMINALS: TIN PLATE, MATTE FINISH
000100" MIN. THICKNESS OVER NICKEL .000050 MIN THK.

4. SOCKET CONNECTORS ACCEPT 1.60 [.062"] ±10% THK PC BOARD.

5. ITEMS PROVIDED TO THIS SPECIFICATION TO BE PERMANENTLY IDENTIFIED PER THE FOLLOWING IDENTIFIER.



1926572-1
PART NUMBER

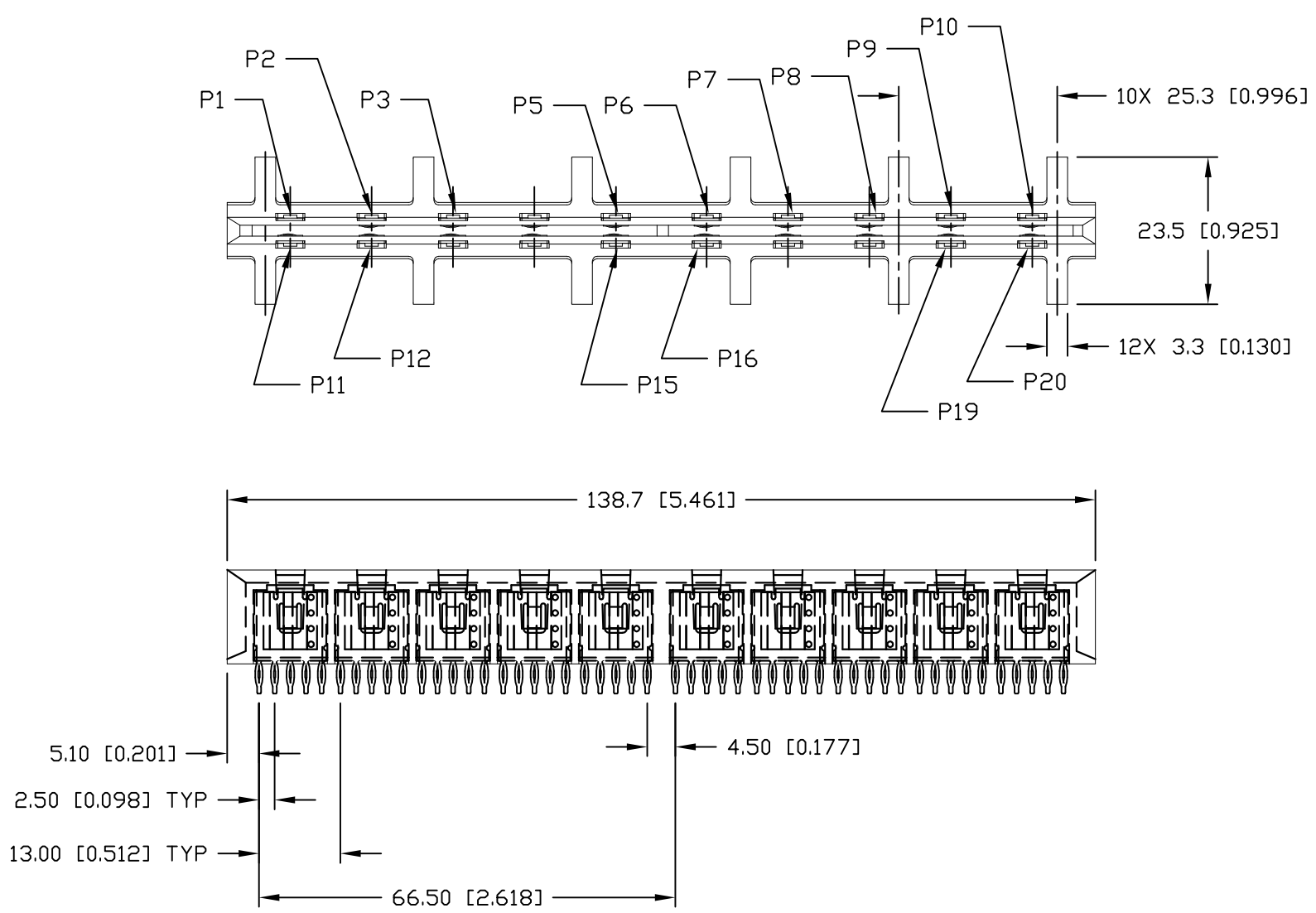
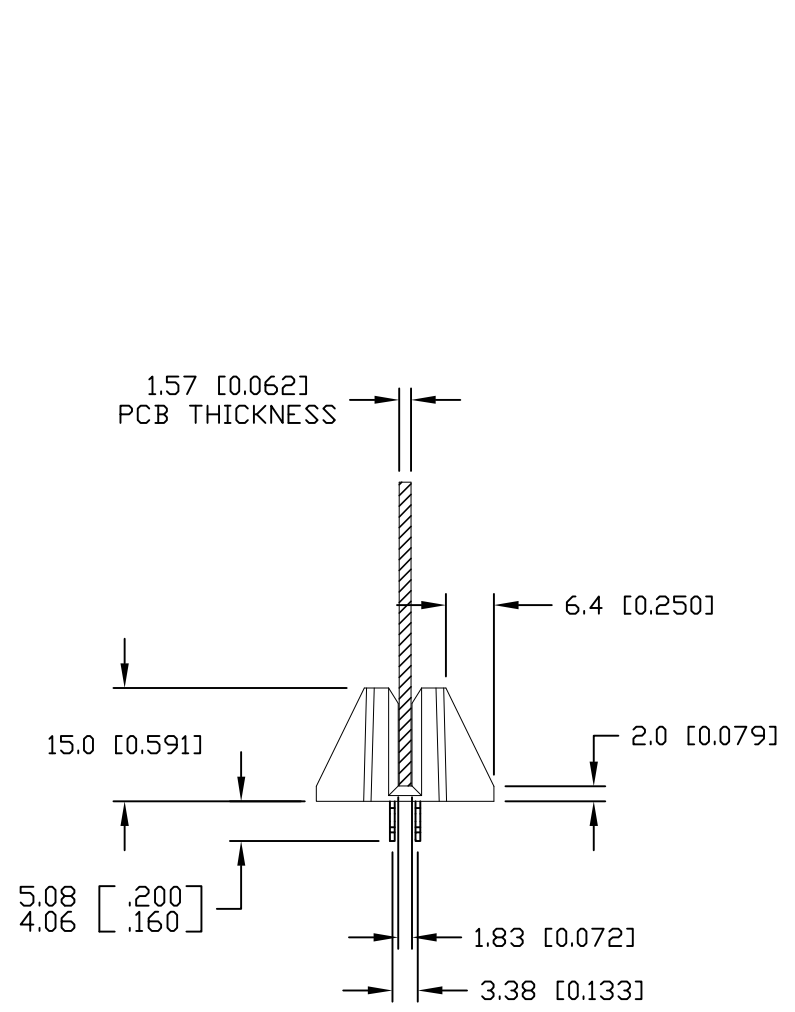
THIS DRAWING IS A CONTROLLED DOCUMENT.		DWN R.GRZYBOWSKI	03AUG07	Tyco Electronics Corporation Harrisburg, PA 17105-3608	
DIMENSIONS: mm		CHK S.FLICKINGER	03AUG07	NAME	
TOLERANCES UNLESS OTHERWISE SPECIFIED:		APVD S.FLICKINGER	03AUG07	CONNECTOR, SOCKET SIDE ENTRY CROWN EDGE	
0 PLC ± -		PRODUCT SPEC		RESTRICTED TO	
1 PLC ± .5 [.020]		APPLICATION SPEC		SIZE	CAGE CODE
2 PLC ± .25 [.010]		WEIGHT		A3	00779
3 PLC ± -		MATERIAL		DRAWING NO	
4 PLC ± -		FINISH		G-1926572	
ANGLES ± .5		CUSTOMER DRAWING		SCALE	1:1
MATERIAL		SHEET		1 OF 3	
-		REV		A	

ELCON CROWN EDGE

THIS DRAWING IS UNPUBLISHED. RELEASED FOR PUBLICATION

© COPYRIGHT BY TYCO ELECTRONICS CORPORATION. ALL RIGHTS RESERVED.

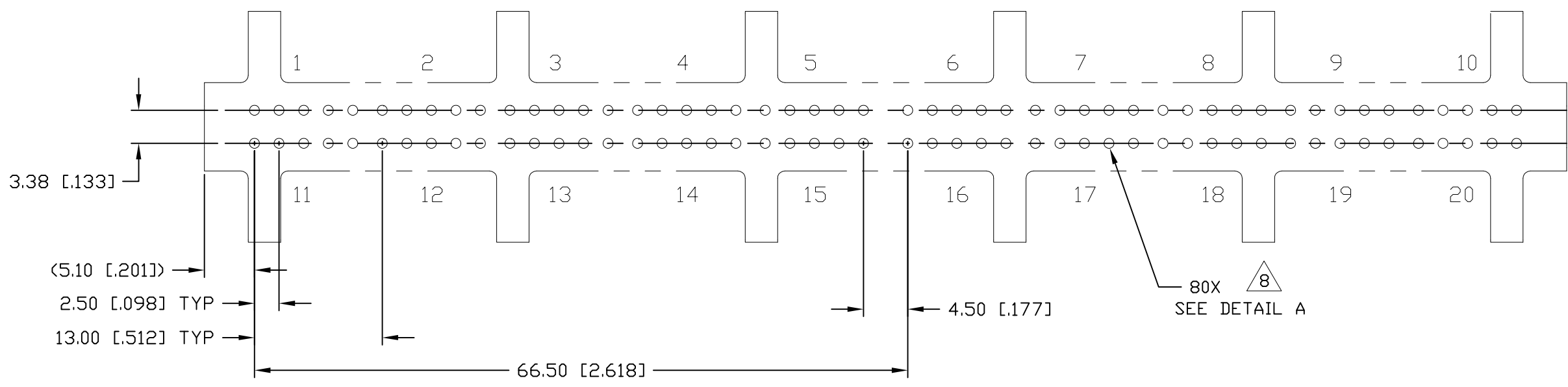
LOC	DIST	REVISIONS					
GP	00	P	LTR	DESCRIPTION	DATE	DWN	APVD
				SEE SHEET 1			



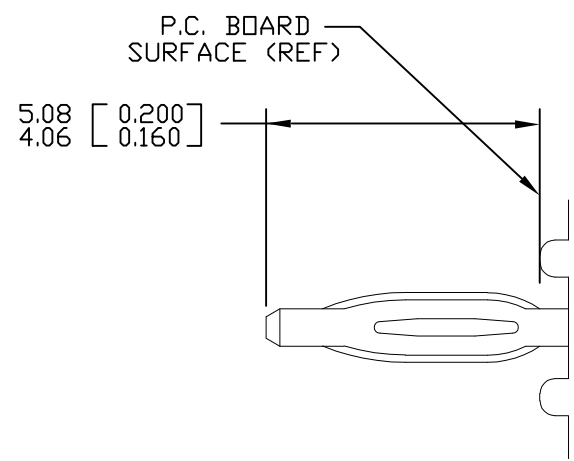
THIS DRAWING IS A CONTROLLED DOCUMENT.		DWN R.GRZYBOWSKI	03AUG07	Tyco Electronics Corporation Harrisburg, PA 17105-3608	
DIMENSIONS: mm		CHK S.FLICKINGER	03AUG07	NAME	
TOLERANCES UNLESS OTHERWISE SPECIFIED:		APVD S.FLICKINGER	03AUG07	CONNECTOR, SOCKET SIDE ENTRY CROWN EDGE	
0 PLC ± -		PRODUCT SPEC		SIZE	
1 PLC ± .5 [.020]		APPLICATION SPEC		CAGE CODE	
2 PLC ± .25 [.010]		WEIGHT		DRAWING NO	
3 PLC ± -		CUSTOMER DRAWING		A3 00779 C-1926572	
4 PLC ± -		SCALE		RESTRICTED TO	
ANGLES ± .5		1:1		-	
FINISH		SHEET		REV	
-		2 OF 3		A	

THIS DRAWING IS UNPUBLISHED. RELEASED FOR PUBLICATION
 © COPYRIGHT - BY TYCO ELECTRONICS CORPORATION. ALL RIGHTS RESERVED.

LOC	DIST	REVISIONS					
GP	00	P	LTR	DESCRIPTION	DATE	DWN	APVD
		-		SEE SHEET 1	-	-	-



SUGGESTED PCB LAYOUT
 SCALE 2=1



7. COMPLIANT PIN DETAIL
INSERTION/EXTRACTION FORCES
 MAXIMUM PUSH-IN: 133.3N PER PIN [30 LBS]
 MINIMUM PUSH-OUT: 44.4N PER PIN [10 LBS]

8 DETAIL A

SOLDER TERMINATION AREA
 RECOMMENDED PRINTED CIRCUIT HOLE
 DRILLED HOLE: $\phi 1.15$ [0.0453] ± 0.13 [0.005]
 COPPER PLATE: .025 [0.0010] - .050 [0.0020] (PER SURFACE)
 TIN PLATE: .0005 [0.00002] MINIMUM (PER SURFACE)

THIS DRAWING IS A CONTROLLED DOCUMENT.		DWN	R.GRZYBOWSKI	03AUG07	Tyco Electronics Corporation Harrisburg, PA 17105-3608			
DIMENSIONS: mm		CHK	S.FLICKINGER	03AUG07	NAME			
TOLERANCES UNLESS OTHERWISE SPECIFIED:		APVD	S.FLICKINGER	03AUG07	PRODUCT SPEC			
0 PLC $\pm -$ 1 PLC $\pm .5$ [.020] 2 PLC $\pm .25$ [.010] 3 PLC $\pm -$ 4 PLC $\pm -$ ANGLES $\pm .5$		APPLICATION SPEC		CONNECTOR, SOCKET SIDE ENTRY CROWN EDGE				
MATERIAL		FINISH		WEIGHT	SIZE	CAGE CODE	DRAWING NO	RESTRICTED TO
-		-		-	A3	00779	C-1926572	-
CUSTOMER DRAWING				SCALE	1:1	SHEET	3 OF 3	REV
				A				