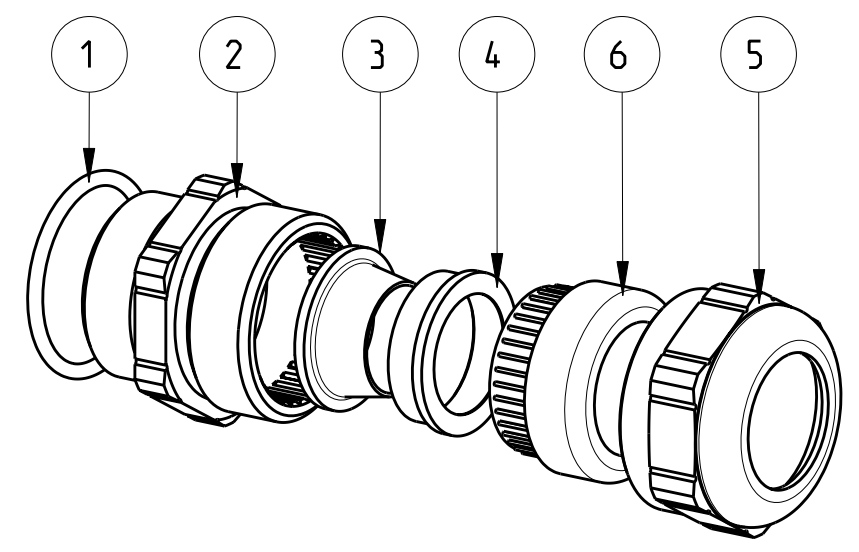
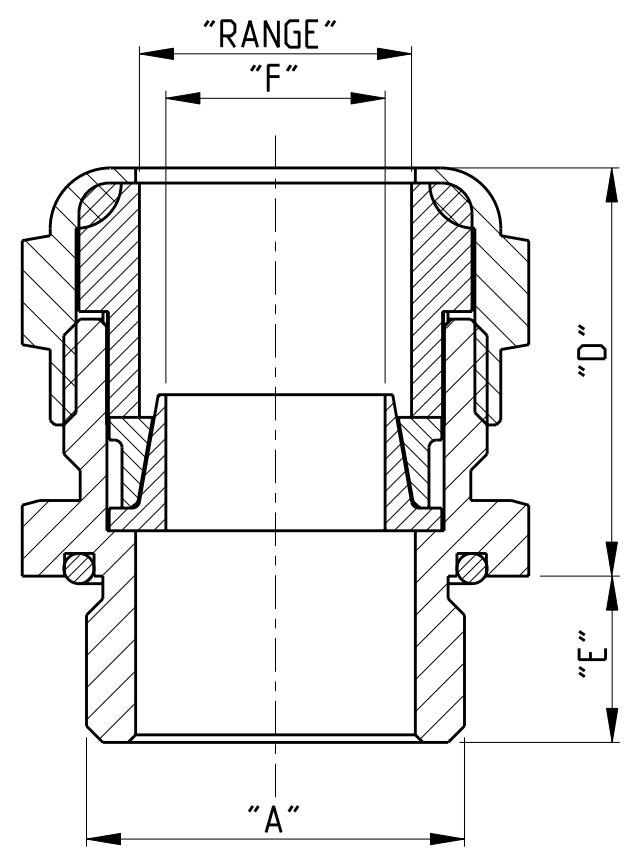


THIS DRAWING IS UNPUBLISHED. RELEASED FOR PUBLICATION 2006
 © COPYRIGHT 2006 BY TYCO ELECTRONICS CORPORATION. ALL RIGHTS RESERVED.

LOC	DIST	REVISIONS			
P	LTR	DESCRIPTION	DATE	DWN	APVD
A1	-	A2	PN 0-2 ADDED ECR-024983	24OCT2006	GW BR
		A3	ECR-09-023155	23OCT2009	VG AR

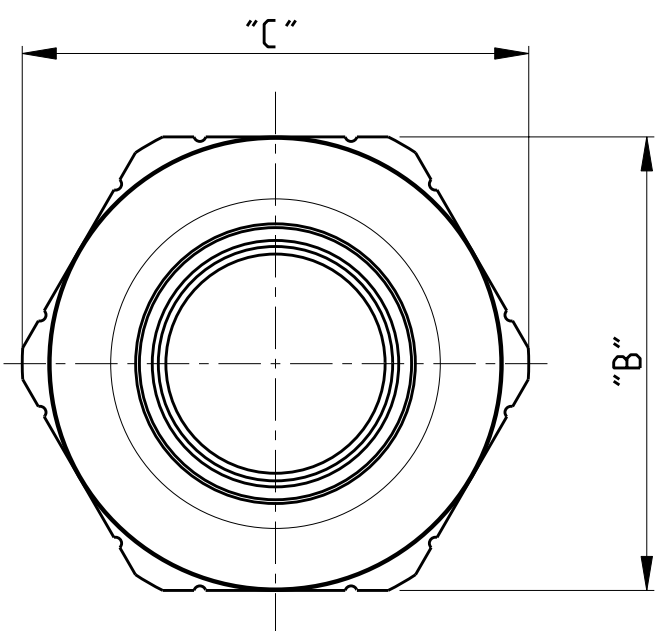


1:1

Notes
 1 PACKAGING:
 10 PIECES IN A CARTON

QTY	DESCRIPTION	MATERIAL	SURFACE/COLOR	ITEM
1	SEALING INSERT	TPE-V		6
1	PRESSURE NUT	BRASS	NICKEL PLATED	5
1	OUTER CONE	BRASS	NICKEL PLATED	4
1	INNER CONE	BRASS	NICKEL PLATED	3
1	DOUBLE NIPPLE	BRASS	NICKEL PLATED	2
1	O-RING	NBR	BLACK	1

PARTS LIST



PART NO.	"A"	"B"	"C"	"D"	"E"	"F"	"RANGE"	WEIGHT [kg]
0-2	M25x1.5	30.0	Ø33.5	27	11	Ø14.5	18.0-14.0	0.1015
0-1	M25x1.5	35	Ø38.5	35	11	Ø18.0	21.0-17.0	0.1312

DIMENSIONS

<small>THIS DRAWING IS A CONTROLLED DOCUMENT FOR TYCO ELECTRONICS CORPORATION. IT IS SUBJECT TO CHANGE AND THE CONTROLLING ENGINEERING ORGANIZATION SHOULD BE CONTACTED FOR THE LATEST REVISION.</small>		DWN 24OCT2006 G.W ROBLEWSKI CHK 25OCT2006 H.BRAUN APVD 25OCT2006 T.SCHNURPFEL	tyco Electronics tyco Electronics AMP GmbH 53819 Neunkirchen (Germany)
DIMENSIONS: mm 	TOLERANCES UNLESS OTHERWISE SPECIFIED: 0 PLC ±- 1 PLC ±- 2 PLC ±- 3 PLC ±- 4 PLC ±- ANGLES ±1°	PRODUCT SPEC - APPLICATION SPEC - WEIGHT -	NAME CABLE GLAND ASS'Y SERIES HIP-EMV, METRIC
MATERIAL -	FINISH -	SIZE A3 CAGE CODE 00779 DRAWING NO C-1102841	RESTRICTED TO - SCALE 2:1 SHEET 1 OF 1 REV A3
CUSTOMER DRAWING			