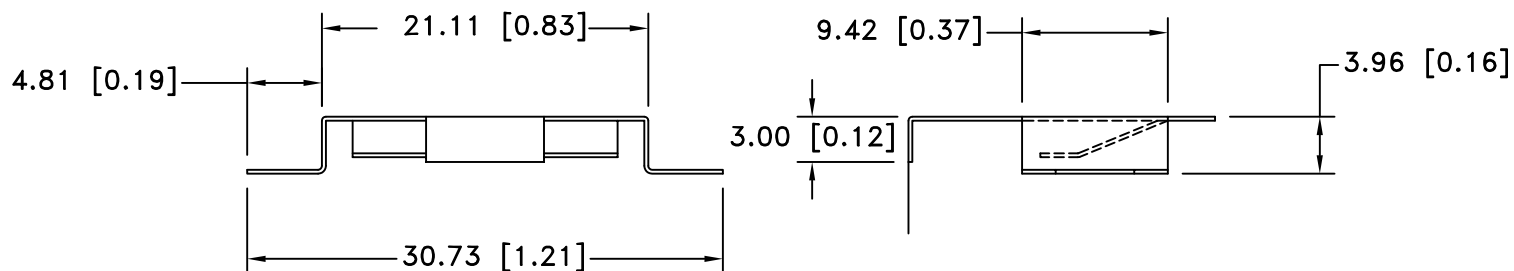
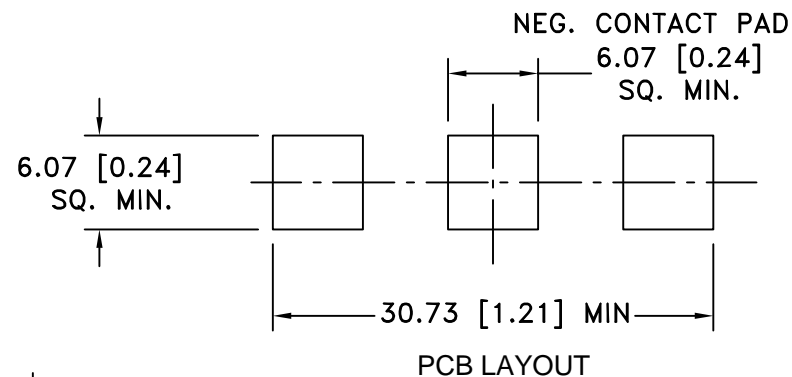
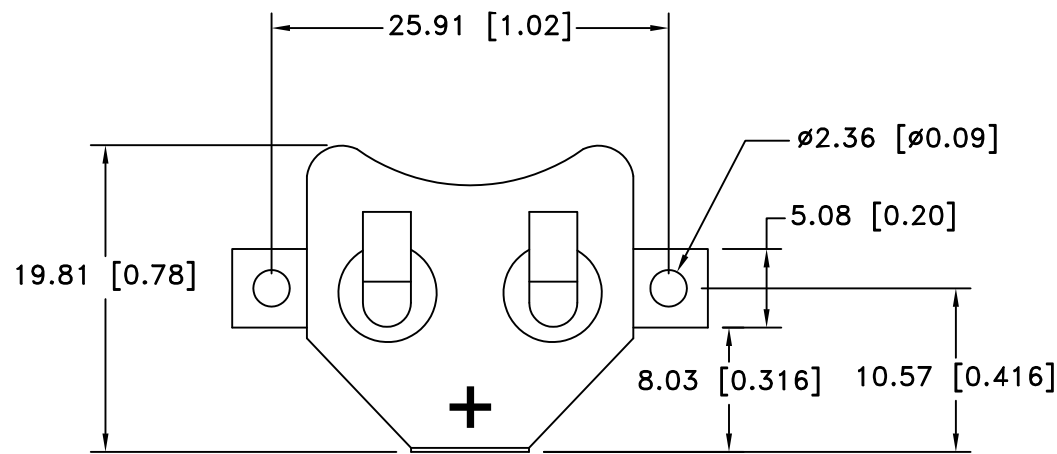


Date	SYM	REVISION RECORD	AUTH	DR.	CK.
1/07/06	B	ADDED "ROHS COMPLIANT"	T.B.	B.S.	
3/03/07	C	ADDED DIM. 8.03 AND 10.57	T.B.	B.S.	
1/11/08	D	ADDED DIM. 25.91	T.B.	B.S.	
10/10/08	E	UPDATED PCB LAYOUT	T.B.	B.S.	
7/09/09	F	UPDATED MATERIAL NOTES	T.B.	B.S.	



NOTES:

1. MATERIAL:

0.25mm PHOSPHOR BRONZE 1/2H, NICKLE PLATED 40U"-120U"

TEMPERATURE RANGE: -40°C TO +270°C

* VIBRATION TEST: 10-50-10 HZ SWEEPED IN 60 SECONDS
X,Y,Z DIRECTION: 1 HOUR EACH DIRECTION


* RESULT: NO DISLODGE MENT OF THE CELL OR DAMAGE
NO DISCONTINUITY OVER 10 MICRO-SECONDS

* SHOCK TEST: HALF SINE WAVE ACCELERATION 150G.
6 MICRO-SECONDS
3 SHOCK PULSES EACH DIRECTION PER
AXIS, TOTAL OF 18 PULSES

* RESULT: NO EVIDENCE OF PHYSICAL DAMAGE

ROHS COMPLIANT

CELL SIZE	RETAINS BATTERY NUMBERS
20mm	BR2016, CR2016, DL2016, BR2020, CL2020, BR2025, CR2025, DL2025, DR2032, CR2032, DL2032

Tolerance (Except as noted)	 Memory Protection Devices, Inc 200 Broad Hollow Road, Farmingdale, New York 11735	Scale	Drawn By B.S.
decimal ±.5 (.020)		Approved By T.B.	
Fractional ± .8 (.030)	Title COIN CELL RETAINER FOR 20mm DIA. BATTERIES		
Angular ± 3°	Date 7/09/09	Drawing Number BK-883	