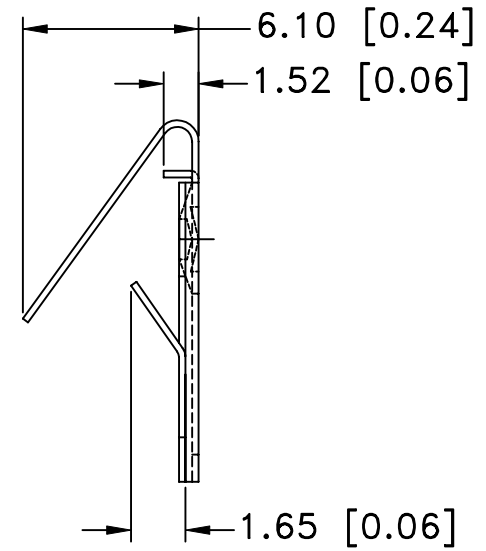
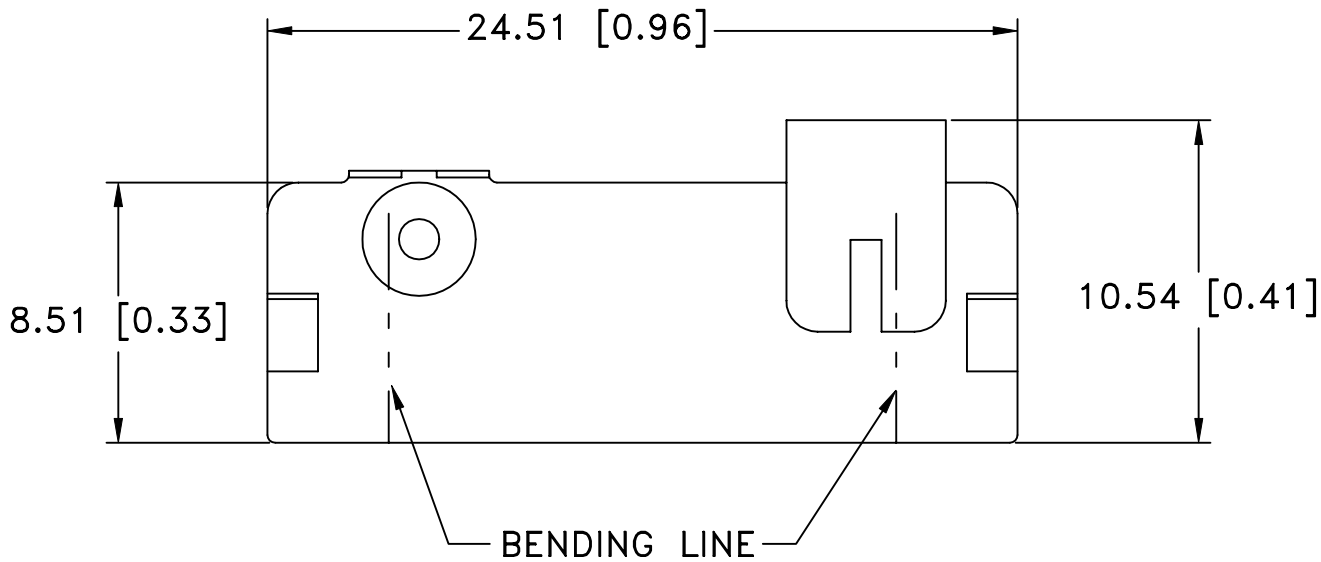



Date	SYM	REVISION RECORD	AUTH	DR.	CK.



**NOTES:**

1. PHOSPHOR BRONZE, 0.25mm (0.010") THICK. NICKLE PLTD.

Tolerance (Except as noted)	 <b>Memory Protection Devices, Inc</b> 200 Broad Hollow Road, Farmingdale, New York 11735		
decimal ±.5 (.020)		Scale	Drawn By B.S.
Fractional ± .8 (.030)	Title	"AAA" BATTERY COMMON CONTACT	
Angular ± 3°	Date	Drawing Number	
	04/09/01	SNT702A	
		Approved By T.B.	