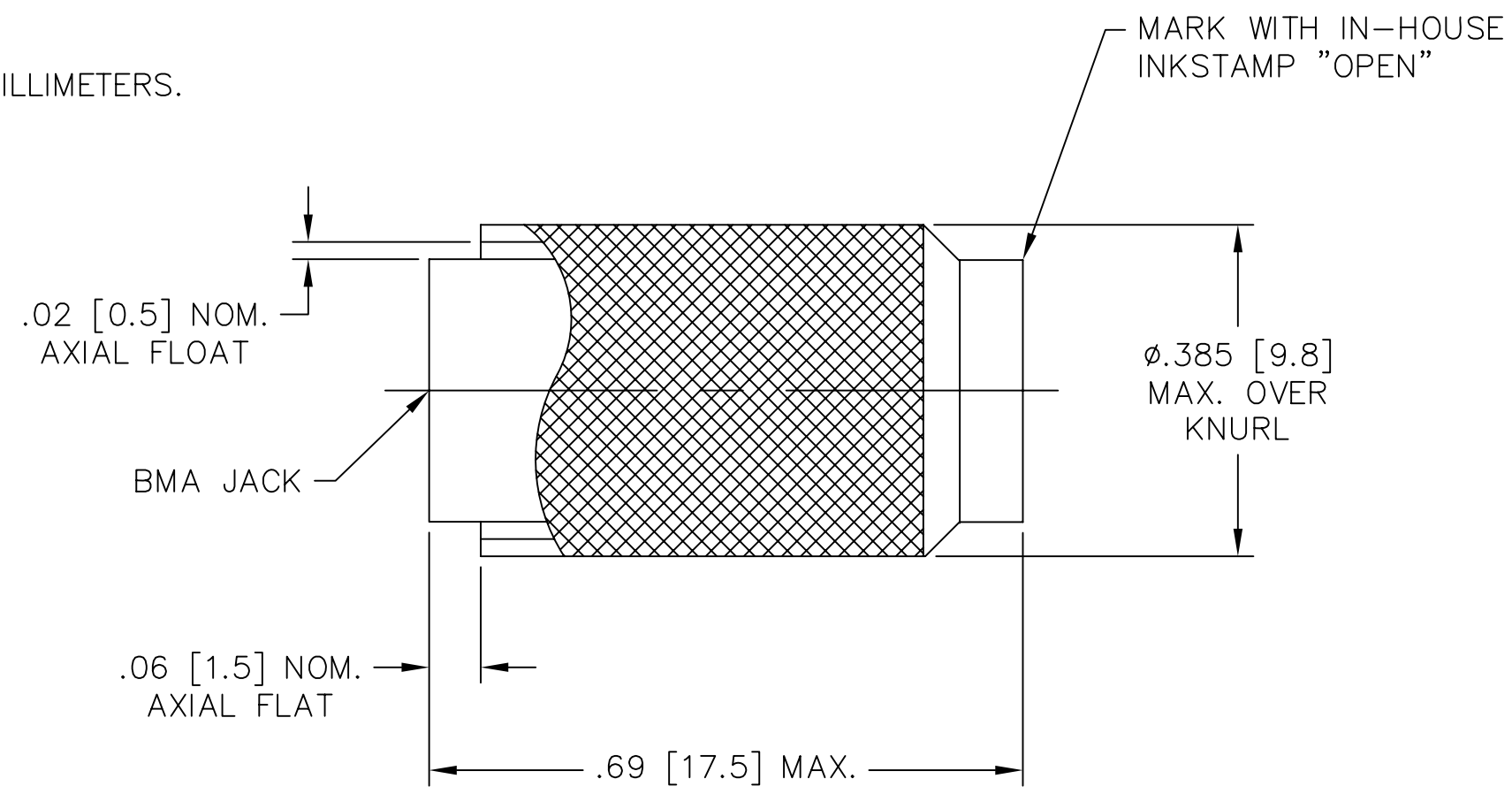


NOTES:

- 1.0 MATERIAL:
 - 1.1 HOUSING: STAINLESS STEEL
PER QQ-S-764 AND ASTM-A-582, TYPE 303.
- 2.0 FINISH:
 - 2.1 HOUSING: PASSIVATED
PER 11-P-35 AND MIL-F-14072.
- 3.0 DIMENSIONS IN BRACKETS ARE IN MILLIMETERS.



DATE	9/7/00
DESCRIPTION	RELEASED
REV.	-

UNLESS OTHERWISE NOTED DIMENSIONS ARE IN INCHES AND TOLERANCES ARE: 3 PLACE DECIMALS ±.005 2 PLACE DECIMALS ±.02 FRACTIONS ±1/64 PARALLELITY: T.I.R. _____ FLATNESS: T.I.R. _____ CONCENTRICITY: T.I.R. _____ ANGLES AND PERPENDICULARITY: ±1°	FSCM NO. 34078	MIDWEST MICROWAVE	
	NOTICE: The information contained in this drawing is proprietary and must not be used without the permission of Midwest Microwave		TITLE OPEN - BMA JACK
	DRAWN/DATE M. STAFFORD 8/29/00	ENG./DATE G. KOZAK 9/7/00	DRAWING NUMBER OPN-2183-F0-BMA-02
	CHECKED/DATE	APPROVED/DATE	SCALE: 5=1 SHEET 1 of 1