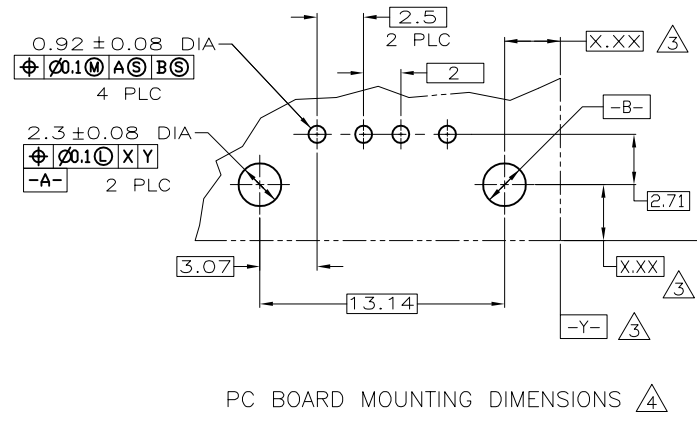
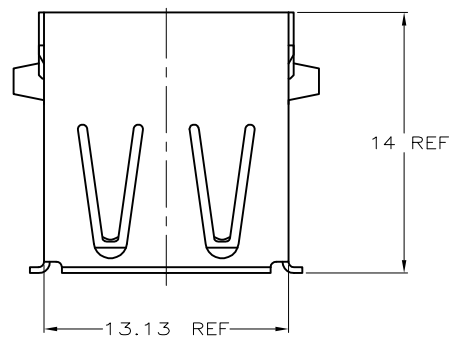
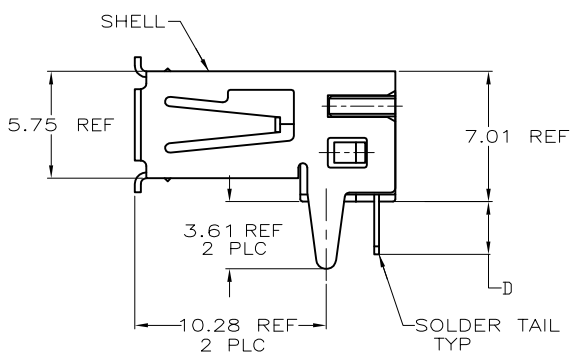
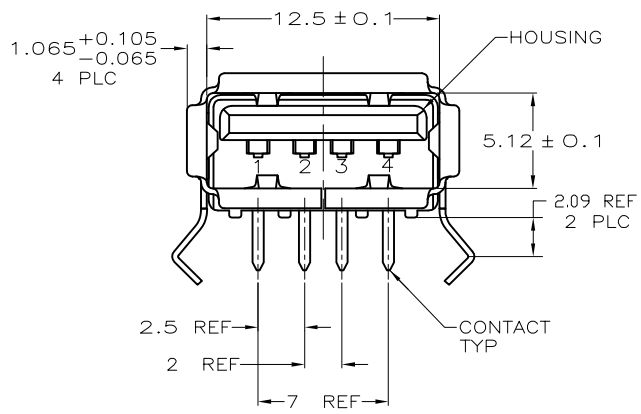


REVISIONS				
P	LTR	DESCRIPTION	DATE	DRN APVD
E9		REVISED PER ECR-12-014684	16AUG2012	J.H.S.Y



PC BOARD MOUNTING DIMENSIONS Δ 4

- Δ MATERIAL:
SHELL & CONTACTS- COPPER ALLOY.
HOUSING: UL 94V-0 RATED, THERMOPLASTIC, COLOR SEE TABLE.
- Δ PLATING:
CONTACTS: 0.076 μ m MINIMUM GOLD OVER 0.76 μ m MINIMUM PALLADIUM-NICKEL ON MATING AREA.
3.8 μ m MINIMUM MATTE TIN ON SOLDER TAILS.
BOTH OVER 1.27 μ m MINIMUM NICKEL.
CONTACT ALTERNATE PLATING: 0.76 μ m MIN GOLD ON MATING AREA, 3.80 μ m MIN MATTE TIN ON SOLDER TAILS, BOTH OVER 1.27 μ m MIN NICKEL.
SHELL: 2~5 μ m MINIMUM BRIGHT TIN
- Δ DATUM AND BASIC DIMENSIONS ESTABLISHED BY CUSTOMER.
- Δ RECOMMENDED PC BOARD THICKNESS OF 1.57.
- E9 Δ PLATING:
CONTACTS: 0.76 μ m MINIMUM PALLADIUM-NICKEL ON MATING AREA.
3.8 μ m MINIMUM MATTE TIN ON SOLDER TAILS.
BOTH OVER 1.27 μ m MINIMUM NICKEL.
SHELL: 2~5 μ m MINIMUM BRIGHT TIN



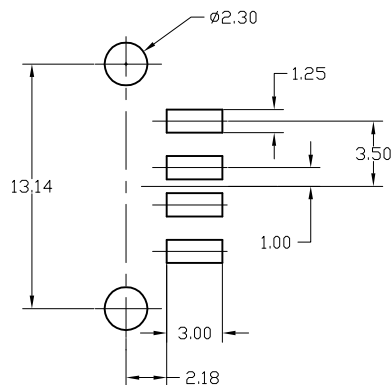
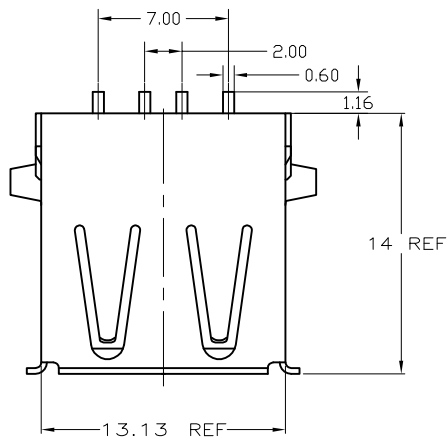
Δ	YES	2.84	BLACK	2-292303-0 E9
Δ	YES	2.29	BLACK	1-292303-9 E8
Δ	NO	3.81	BLACK	1-292303-5
Δ	NO	3.56	BLACK	1-292303-4
Δ	NO	3.20	BLACK	1-292303-3
Δ	YES	3.30	BLACK	1-292303-2
Δ	YES	2.29	BLACK	292303-6
Δ	YES	2.84	NATURAL	292303-5
Δ	YES	2.84	BLACK	292303-4
Δ	NO	2.84	NATURAL	292303-3
Δ	NO	2.29	BLACK	292303-2
Δ	NO	2.84	BLACK	292303-1
CONTACT PLATING	HIGH TEMPERATURE COMPATIBLE	D	HOUSING COLOR	PART NUMBER

THIS DRAWING IS A CONTROLLED DOCUMENT.

DIMENSIONS: mm	TOLERANCES UNLESS OTHERWISE SPECIFIED:	DRN: J. JIANG 19FEB04	
0 PLC ± -	1 PLC ± -	CHK: S. YAO 19FEB04	
2 PLC ± 0.25	3 PLC ± -	APVD: T. SASAKI 19FEB04	NAME: RECEPTACLE ASSEMBLY RIGHT
4 PLC ± -	ANGLES ± -	PRODUCT SPEC: 108-60034	ANGLE, 4 POSITION, T/H & SMT
MATERIAL: Δ 1	FINISH: SEE TABLE	APPLICATION SPEC: -	USB, LEAD FREE VERSION
WEIGHT: -	CUSTOMER DRAWING	SIZE: A2	RESTRICTED TO: -
SCALE: 5:1	SHEET: 1 of 4	DRAWING NO: 00779	REV: E9
		DATE: 292303	

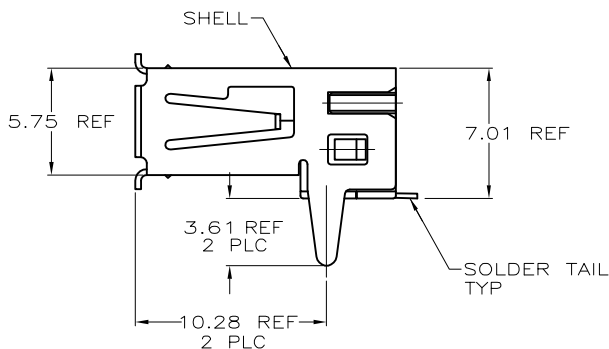
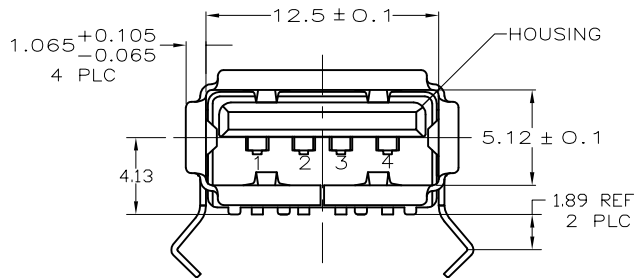
THIS DRAWING IS UNPUBLISHED. RELEASED FOR PUBLICATION
 © COPYRIGHT - By - ALL RIGHTS RESERVED.

REVISIONS							
LOC	DIST	P	LTR	DESCRIPTION	DATE	DRN	APVD
ES	00	-	-	SEE SHEET 1	-	-	-



- ⚠ MATERIAL:
SHELL & CONTACTS- COPPER ALLOY.
HOUSING: UL 94V-0 RATED, THERMOPLASTIC, COLOR SEE TABLE.
- ⚠ PLATING:
CONTACTS: 0.076 μm MINIMUM GOLD OVER 0.76 μm MINIMUM PALLADIUM-NICKEL ON MATING AREA.
3.8 μm MINIMUM MATTE TIN ON SOLDER TAILS.
BOTH OVER 1.27 μm MINIMUM NICKEL.
CONTACT ALTERNATE PLATING: 0.76 μm MIN GOLD ON MATING AREA, 3.80 μm MIN MATTE TIN ON SOLDER TAILS, BOTH OVER 1.27 μm MIN NICKEL.
SHELL: 2~5 μm MINIMUM BRIGHT TIN
- ⚠ RECOMMENDED PC BOARD THICKNESS OF 1.42.

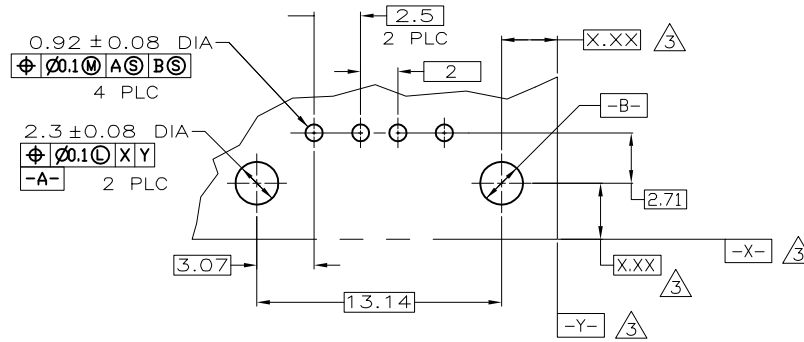
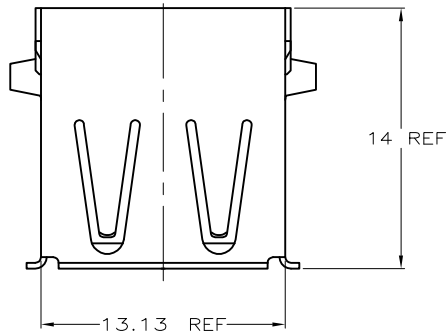
RECOMMENDED PC BOARD MOUNTING LAYOUT ⚠
 (TOLERANCE= ± 0.05)



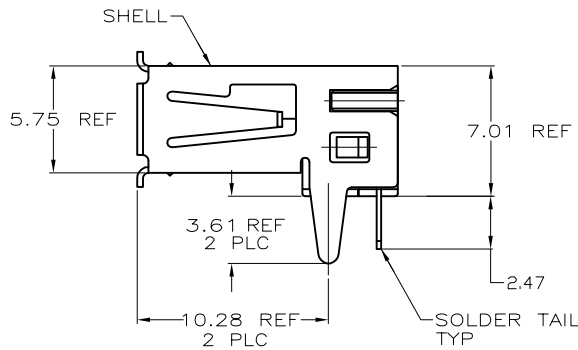
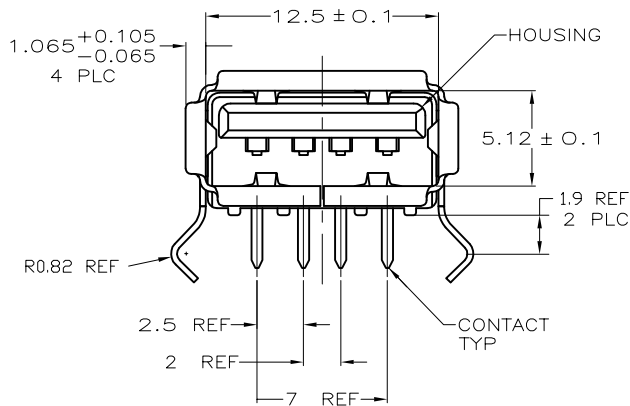
YES	BLACK	1-292303-1
YES	NATURAL	292303-7
HIGH TEMPERATURE COMPATIBLE	HOUSING COLOR	PART NUMBER

THIS DRAWING IS A CONTROLLED DOCUMENT.		DIN 19FEB04		TE TE Connectivity	
DIMENSIONS: mm		GJK 19FEB04			
TOLERANCES UNLESS OTHERWISE SPECIFIED:		APVD T.SASAKI 19FEB04		NAME	
0 PLC ± -		PRODUCT SPEC		RECEPTACLE ASSEMBLY RIGHT	
1 PLC ± -		108-60034		ANGLE, 4 POSITION, T/H & SMT	
2 PLC ± 0.25		APPLICATION SPEC		USB, LEAD FREE VERSION	
3 PLC ± -		SIZE		RESTRICTED TO	
4 PLC ± -		A2		-	
ANGLES		CAGE CODE		DRAWING NO	
FINISH		00779		292303	
MATERIAL		WEIGHT		SCALE	
1		-		5:1	
2		CUSTOMER DRAWING		SHEET	
				2 of 4	
				REV	
				E9	

REVISIONS							
LOC	DIST	P	LTR	DESCRIPTION	DATE	DN	APVD
ES	00	-	-	SEE SHEET 1	-	-	-



PC BOARD MOUNTING DIMENSIONS $\triangle 4$



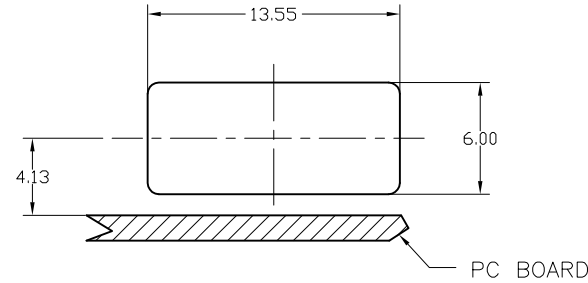
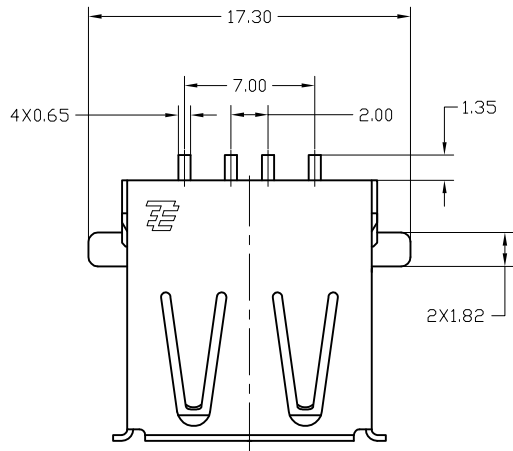
- $\triangle 1$ MATERIAL:
SHELL & CONTACTS- COPPER ALLOY.
HOUSING: UL 94V-0 RATED, THERMOPLASTIC, COLOR SEE TABLE.
- $\triangle 2$ PLATING:
CONTACTS: 0.076 μ m MINIMUM GOLD OVER 0.76 μ m MINIMUM PALLADIUM-NICKEL ON MATING AREA.
3.8 μ m MINIMUM MATTE TIN ON SOLDER TAILS.
BOTH OVER 1.27 μ m MINIMUM NICKEL.
CONTACT ALTERNATE PLATING: 0.76 μ m MIN GOLD ON MATING AREA, 3.80 μ m MIN MATTE TIN ON SOLDER TAILS, BOTH OVER 1.27 μ m MIN NICKEL.
SHELL: 2~5 μ m MINIMUM BRIGHT TIN
- $\triangle 3$ DATUM AND BASIC DIMENSIONS ESTABLISHED BY CUSTOMER.
- $\triangle 4$ RECOMMENDED PC BOARD THICKNESS OF 1.2.

NO	NATURAL	292303-8
HIGH TEMPERATURE COMPATIBLE	HOUSING COLOR	PART NUMBER

THIS DRAWING IS A CONTROLLED DOCUMENT.		DIN 19FEB04		TE TE Connectivity	
DIMENSIONS: mm		19FEB04			
TOLERANCES UNLESS OTHERWISE SPECIFIED:		APVD		NAME	
0 PLC ± -		19FEB04		I SASAKI	
1 PLC ± -		PRODUCT SPEC		108-60034	
2 PLC ± 0.25		APPLICATION SPEC		SIZE	
3 PLC ± -		WEIGHT		A2	
4 PLC ± -		CUSTOMER DRAWING		00779	
ANGLES		SCALE		5:1	
FINISH		SHEET		3 of 4	
\triangle		REV		E9	

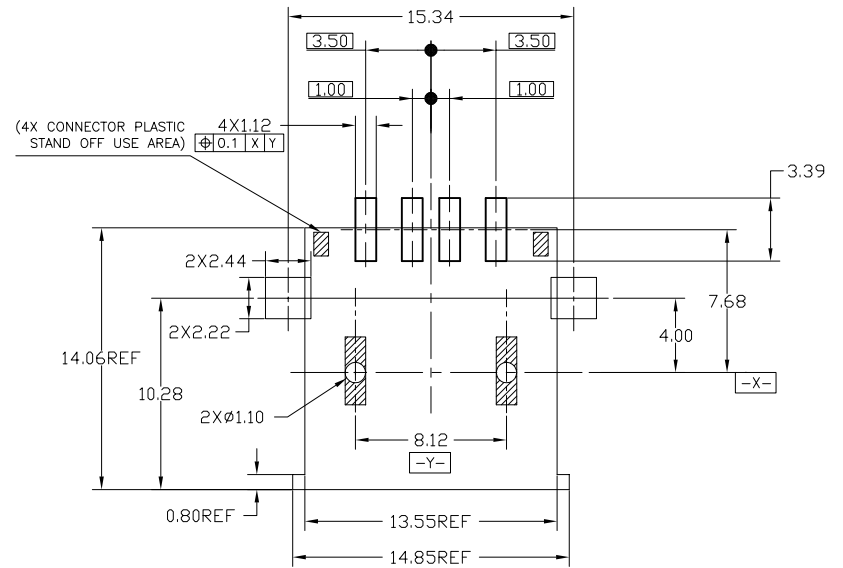
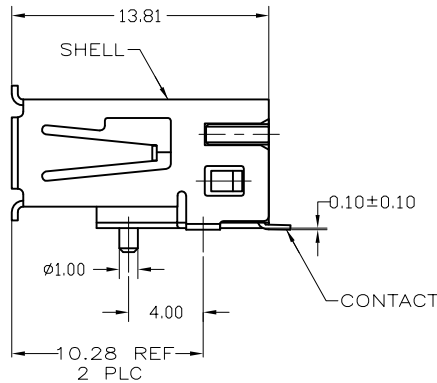
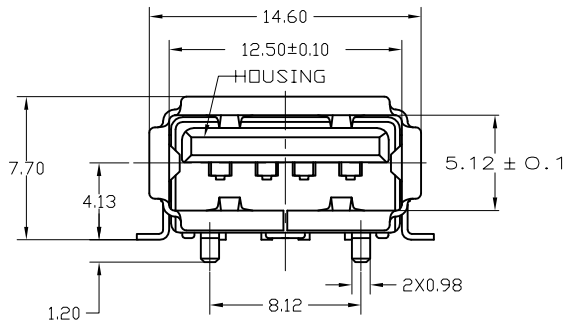
THIS DRAWING IS UNPUBLISHED. RELEASED FOR PUBLICATION
 © COPYRIGHT - By - ALL RIGHTS RESERVED.

REVISIONS							
LOC	DIST	P	LTR	DESCRIPTION	DATE	DRN	APVD
ES	00	-	-	SEE SHEET 1	-	-	-



RECOMMENDED MOUNTING PANEL CUTOUT

- ⚠ MATERIAL:
SHELL & CONTACTS- COPPER ALLOY.
HOUSING: UL 94V-0 RATED, THERMOPLASTIC, COLOR SEE TABLE.
- ⚠ PLATING:
CONTACTS: 0.076 μm MINIMUM GOLD OVER 0.76 μm MINIMUM PALLADIUM-NICKEL ON MATING AREA.
3.8 μm MINIMUM MATTE TIN ON SOLDER TAILS.
BOTH OVER 1.27 μm MINIMUM NICKEL.
CONTACT ALTERNATE PLATING: 0.76 μm MIN GOLD ON MATING AREA, 3.80 μm MIN MATTE TIN ON SOLDER TAILS, BOTH OVER 1.27 μm MIN NICKEL.
SHELL: 2~5 μm MINIMUM BRIGHT TIN
- ⚠ PANEL IS NEEDED FOR CUSTOMER.
- ⚠ THIS P/N IS PRELIMINARY.



RECOMMENDED PC BOARD MOUNTING LAYOUT (TOLERANCE=±0.05)

YES	BLACK	1-292303-6
YES	NATURAL	292303-9
HIGH TEMPERATURE COMPATIBLE	HOUSING COLOR	PART NUMBER

THIS DRAWING IS A CONTROLLED DOCUMENT.		DRN LIUJIANG 19FEB04	TE Connectivity
DIMENSIONS: mm		CHK S.YAO 19FEB04	
TOLERANCES UNLESS OTHERWISE SPECIFIED:		APVD T.SASAKI 19FEB04	NAME
0 PLC ± -	1 PLC ± -	PRODUCT SPEC 108-60034	RECEPTACLE ASSEMBLY RIGHT
2 PLC ± 0.25	3 PLC ± -	APPLICATION SPEC	ANGLE, 4 POSITION, T/H & SMT
4 PLC ± -	ANGLES ± -	WEIGHT	USB, LEAD FREE VERSION
MATERIAL	FINISH	SIZE A2	CAGE CODE 00779
		DRAWING NO 292303	RESTRICTED TO
		CUSTOMER DRAWING	SCALE 5:1 SHEET 4 of 4 REV E9