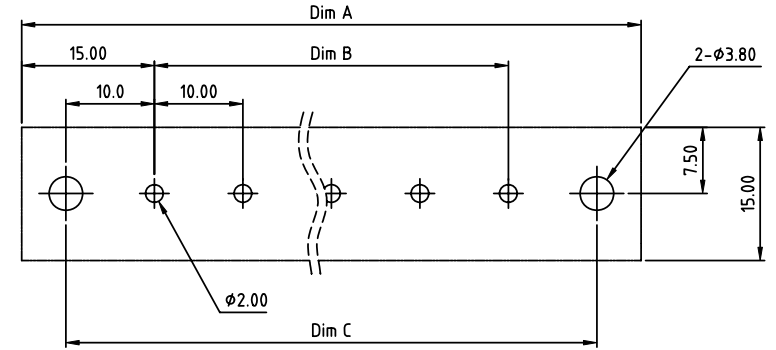
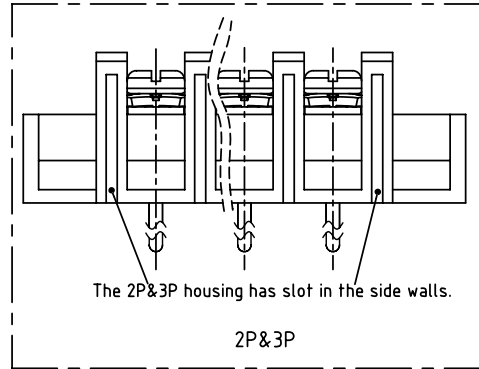
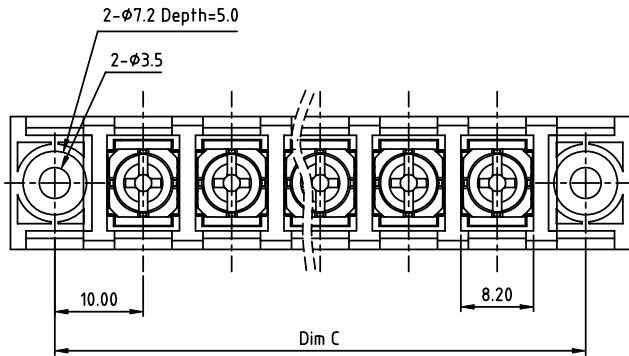
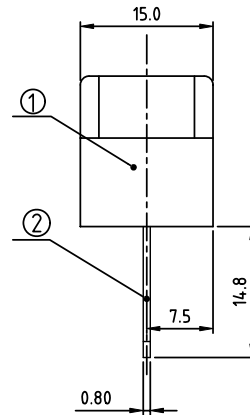
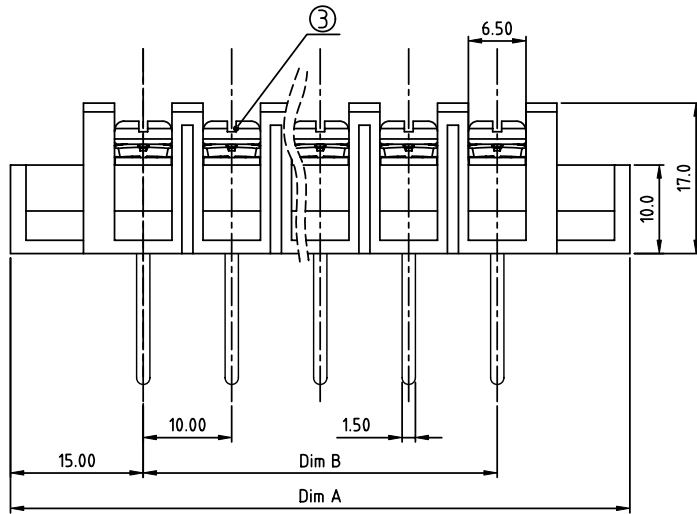


PRODUCT NUMBER	PITCH
YK602xx3x0JOG	10.00 mm



RECOMMENDED P.C.B LAYOUT  
TOP VIEW



MATERIALS & ELECTRICAL  
 RATED VOLTAGE & CURRENT: 300 V, 20 A  
 WITHSTAND VOLTAGE: AC 2000 V/Min  
 INSULATION RESISTANCE: 1000 MΩ OR MORE AT DC 500 V  
 OPERATING TEMPERATURE RANG: -40 °C ~ +115 °C  
 SCREW TORQUE VALUE: 12 Lb-In.  
 WIRE RANGE: 22 - 12AWG  
 1) HOUSING: THERMOPLASTIC, UL 94 V-0 BLACK  
 2) TERMINAL: BRASS, 0.8t  
 3) TERMINAL SCREWS: STEEL, M3.5  
 APPROVAL: US

DIMENSION

Dim A	(N+2)×10.0
Dim C	(N+1)×10.0
Dim B	(N-1)×10.0

N=Number of poles

Poles	Tolerance
2p-4p	±0.20
5p-10p	±0.30
11p-24p	±0.40
25p-30p	±0.50

PART NO.: YK 602xx 3 x 0 JOG

No. of poles  
 02 2 poles  
 03 3 poles  
 ...  
 30 30 poles

Plated		
Code	Terminal	Screw
0	G/F	G/F
1	G/F	Zinc
2	Tin	G/F
3	Tin	Zinc

RoHS compliant  
 (lead<4%)  
 In copper Alloy

mat'l. code		surface ASME Y14.5	tolerance ASME Y14.5	projection 	product family TERMINAL BLOCK
ltr	ecn no	dr	date	tolerances unless otherwise specified	title TERMINAL BLOCK
				angles 	BARRIER TYPE, WITH FLANGE
				X°±1'	scale
				dr EVAN LU 061414	dwg no
				enr EVAN LU 061414	sheet 1 of 1
				chr HANKE FENG 061414	size A4
				appd SHI JUN 061414	YK602xx3x0JOG
					type CUSTOMER Drawing
sheet index	revision sheet	A	1		