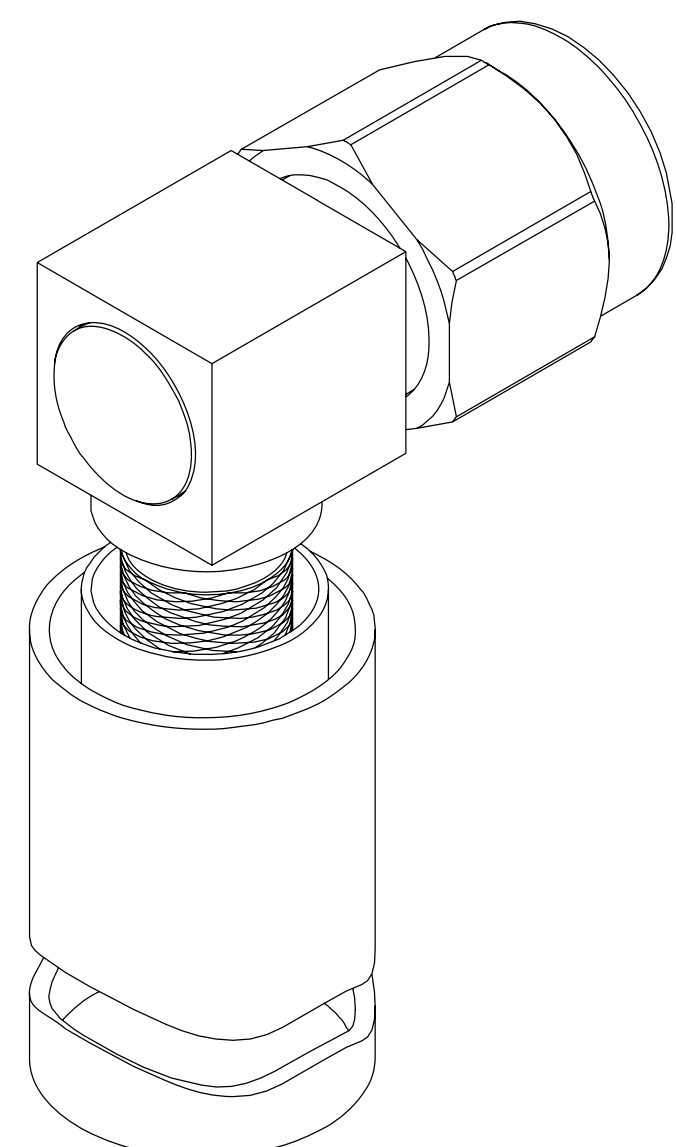


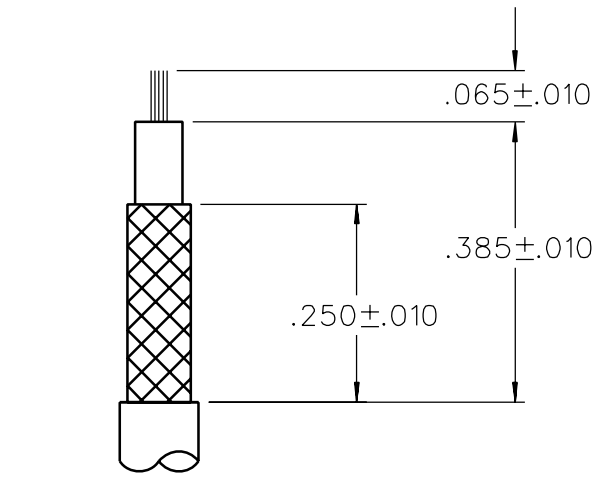
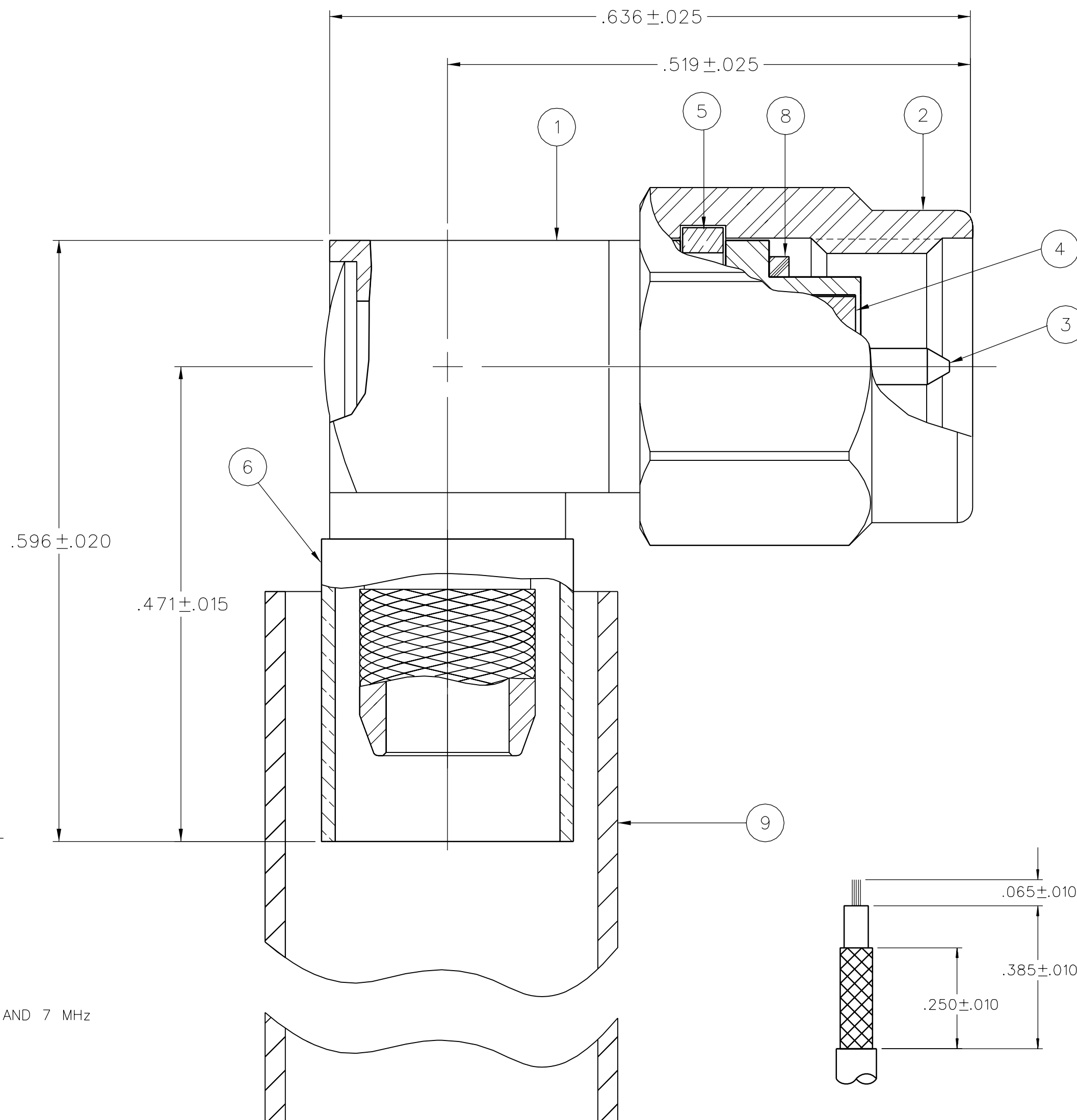
PART NUMBER 141-0408-102	ITEM ① BODY STAINLESS STEEL PASSIVATED	ITEM ② NUT STAINLESS STEEL PASSIVATED	ITEM ③ CONTACT BRASS GOLD PL .00005 MIN OVER NICKEL PL .00005 MIN OVER COPPER PL .00005 MIN	ITEM ④ INSULATOR TEFLON	ITEM ⑤ RETENTION SPRING BERYLLIUM COPPER UNPLATED	ITEM ⑥ CRIMP SLEEVE COPPER NICKEL PL .0001 MIN OVER COPPER PL .00005 MIN	ITEM ⑦ END CAP BRASS NICKEL PL .0001 MIN OVER COPPER PL .00005 MIN	ITEM ⑧ GASKET SILICONE	ITEM ⑨ HEAT SHRINK POLYOLEFIN COLOR: BLACK
-----------------------------	---	--	--	-------------------------------	--	--	--	------------------------------	---

DRAWING NO.
C - 141-0408-101/110

0 REVISIONS	
ENGINEERING RELEASE	
01	05-03-90 [E] [R] [A] [J] [B] [W] 5-11-90 ECO 24554
CHANGED: UPDATED THICKWALL BODY INSULATOR AND CONTACT.	
02	03-07-91 [D] [W] [R] [J] [A] [B] [W] 3-13-91 ECO 40035
CHANGED: RF LEAK 2.5 GHz WAS 2 TO 3 GHz, RF HIGH POT 4 AND 7 MHz WAS 5 TO 7.5 MHz	
3	12-2-93 [R] [H] [T] [A] [R] [J] [B] 42067 ECO
.636 WAS .664, .596 WAS .597 .471 WAS .456 REMOVE 141-0408-101	
4	5-9-06 [P] [S] [T] [R] [P] [A] [B] [D] [W] 6-22-06 ECN 50443
.250 WAS .281, .385 WAS .390, .065 WAS .070 ***** * REVISION NUMBER FOLLOWED BY AN ALPHA * * CHARACTER INDICATES DRAWING CLARIFI- * * CATION OR PART NUMBER ADDITION ONLY. * *****	
4a	9-21-06 [P] [S] [T] [R] [P] [A] [B] [D] [W] 12-4-06 ECN 50736



5:1



CABLE STRIP DIMENSIONS
4:1

NOTES:

1. SPECIFICATIONS:

IMPEDANCE: 50 OHMS
 FREQUENCY RANGE: 0-12.4 GHz
 VSWR: 1.15+.02F MAX (F IN GHz)
 WORKING VOLTAGE: 335 VRMS MAX AT SEA LEVEL
 DIELECTRIC WITHSTANDING VOLTAGE: 1000 VRMS MIN AT SEA LEVEL
 INSULATION RESISTANCE: 5000 MEGOHM MIN
 CONTACT RESISTANCE:
 CENTER CONTACT - INITIAL 4.0 MILLIOHM MAX, AFTER ENVIRONMENTAL 6.0 MILLIOHM MAX
 OUTER CONDUCTOR - INITIAL 2.0 MILLIOHM MAX AFTER ENVIRONMENTAL NOT APPLICABLE
 BODY TO CABLE - 0.5 MILLIOHM MAX (GOLD PLATED) 5.0 MILLIOHM MAX (PASSIVATED)
 CORONA LEVEL: 250 VOLTS MIN AT 70,000 FEET
 INSERTION LOSS: .15√F (F IN GHz) AT 6 GHz
 RF LEAKAGE: -60 DB MIN AT 2.5 GHz
 RF HIGH POTENTIAL WITHSTANDING VOLTAGE: 670 VRMS MIN AT 4 AND 7 MHz

MECHANICAL:

ENGAGE/DISENGAGE TORQUE: 2 INCH-POUNDS MAX
 MATING TORQUE: 7-10 INCH POUNDS
 COUPLING PROOF TORQUE: 15 INCH-POUNDS MIN
 COUPLING NUT RETENTION: 60 LBS MIN
 CONTACT RETENTION: 6 LBS MIN
 CABLE ACCEPTABILITY: RG 55/U, RG 142/U, RG 223/U, RG 400/U
 CABLE HEX CRIMP SIZE: .213
 CABLE RETENTION: 45 LBS MIN AXIAL FORCE
 DURABILITY: 500 CYCLES MIN

ENVIRONMENTAL:

(MEETS OR EXCEEDS THE APPLICABLE PARAGRAPH OF MIL-PRF-39012)
 THERMAL SHOCK: MIL-STD-202, METHOD 107, CONDITION B EXCEPT 85°C HIGH TEMP
 OPERATING TEMPERATURE: -65 DEG C TO 165 DEG C
 CORROSION: MIL-STD-202, METHOD 101, CONDITION B
 SHOCK: MIL-STD-202, METHOD 213, CONDITION I
 VIBRATION: MIL-STD-202, METHOD 204, CONDITION D
 MOISTURE RESISTANCE: MIL-STD-202, METHOD 106

UPDATED VIEWS


5	10-23-08 [P] [R] [R] [M] [J] [C] [N] [A] [T] [B] [T] [U]	10-27-08 ECN 51681
---	--	-----------------------

CUSTOMER DRAWING

THIS DRAWING TO BE INTERPRETED
PER ASME Y 14.5M - 1994

"μ STATION"

COMPANY CONFIDENTIAL

TOLERANCE UNLESS OTHERWISE SPECIFIED	DRAWN BY <i>EJ</i>	DATE 10-24-89	 Cinch CONNECTIVITY SOLUTIONS a bel group	Cinch Connectivity Solutions P.O. Box 1732 Waseca, MN 56093 1-800-247-8256
DECIMALS mm .XX _____	CHECKED BY	DATE		TITLE PLUG ASSEMBLY, RA SMA, RG-142
.XXX ±.003 _____	APPROVED BY RJB	DATE 5-4-90	SHEET 2 OF 2	DRAWING NO. C - 141-0408-101/110
MATL _____	RELEASE DATE 5-11-90	SCALE 10:1		
FINISH _____	U/M INCH			