

PLEASE CHECK WWW.MOLEX.COM FOR LATEST PART INFORMATION

Part Number: [63802-5100](#)
Status: **Active**
Description: Mini-Mac Applicator for Terminals

Documents:
[RoHS Certificate of Compliance \(PDF\)](#)

General

Product Family	Application Tooling
Series	T1101
Comments	See Tooling Specification (PDF) Above
Function	Crimp
Geographic Area	Global
Level of Automation	Automatic, Semi-Automatic
More Detailed Tech Information	applicationtooling@molex.com
Product Name	Mini-Mac™
Survey	www.molex.com//review/apptool_survey.html
Tool Type	Mini-Mac Applicator
UPC	883906757809

Physical

Net Weight 3740.617/g

Material Info

Reference - Drawing Numbers

Application Tooling Documents

ATS-638025100, TM-638000100, TM-638000100SP, TM-638004900, TM-638004900CN, TM-638004900SP, TM-640160065, TM-640160065CN, TM-640160065DE, TM-640160065FR, TM-640160065IT, TM-640160065JP, TM-640160065KR, TM-640160065MY, TM-640160065PL, TM-640160065RU, TM-640160065SK, TM-640160065SP, TM-640160065TH, TM-640160065TW, TM-640160065VN

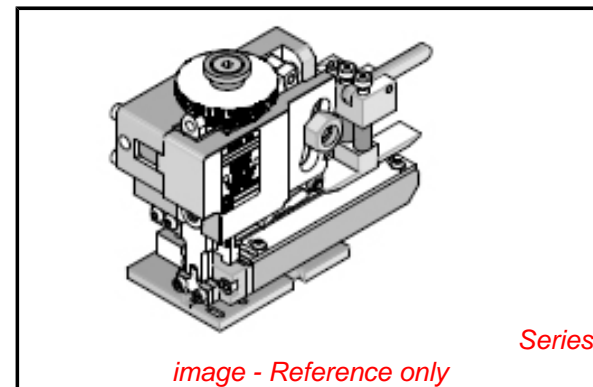


image - Reference only

EU RoHS

ELV and RoHS Compliant

REACH SVHC

Not Reviewed

Low-Halogen Status

Not Reviewed

China RoHS



Need more information on product environmental compliance?

Email productcompliance@molex.com
 For a multiple part number RoHS Certificate of Compliance, [click here](#)

Please visit the [Contact Us](#) section for any non-product compliance questions.

Search Parts in this Series

T1101Series

Use With

35072 MP-Lock™ Quick Disconnect, Female, for 18-22 AWG

Application Tooling | FAQ

Description	Product #
MP-Lock™ Quick Disconnect, Female, for 18-22 AWG (0.80-0.33mm ²), Metal Strip, Tab 6.35 x 0.80mm, Pre-Tin Plated	0350729702
MP-Lock™ Quick Disconnect, Female, for 18-22 AWG (0.80-0.33mm ²), Metal Strip, Tab 6.35 x 1.00mm, Pre-Tin Plated	0350729712

This document was generated on 03/08/2013

PLEASE CHECK WWW.MOLEX.COM FOR LATEST PART INFORMATION