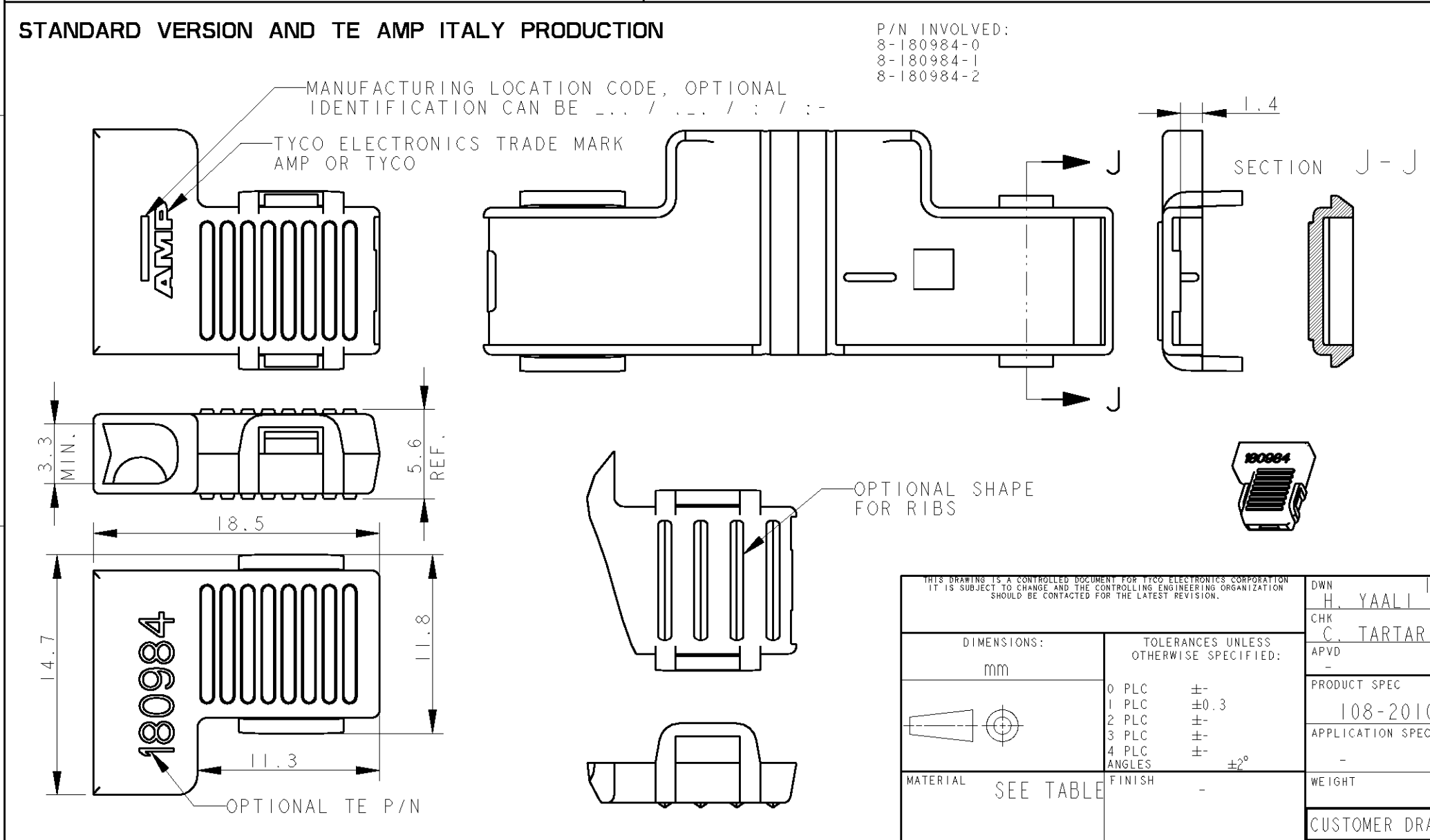
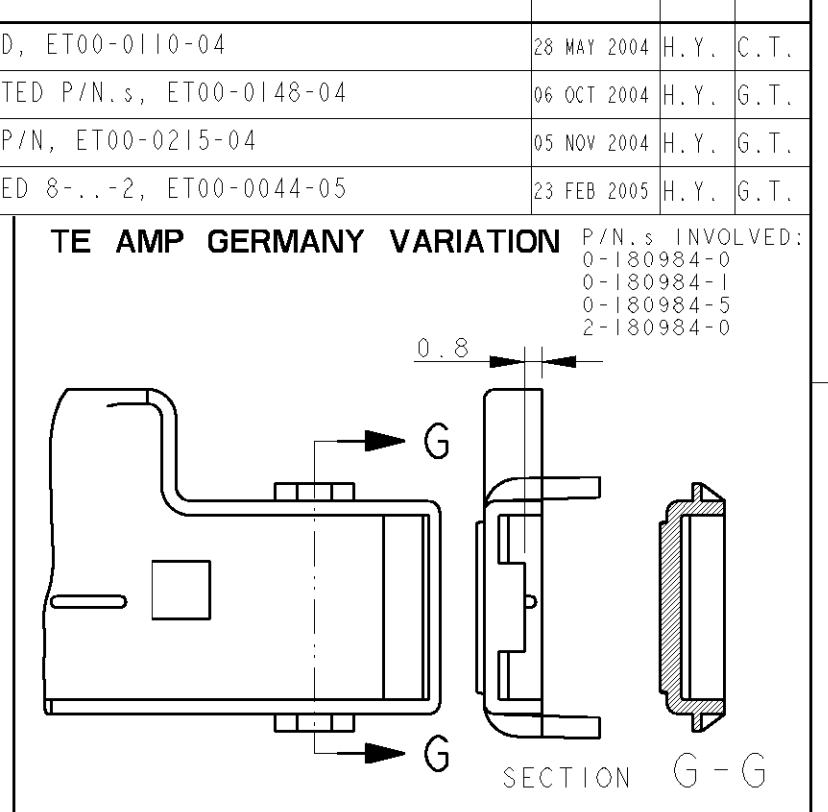
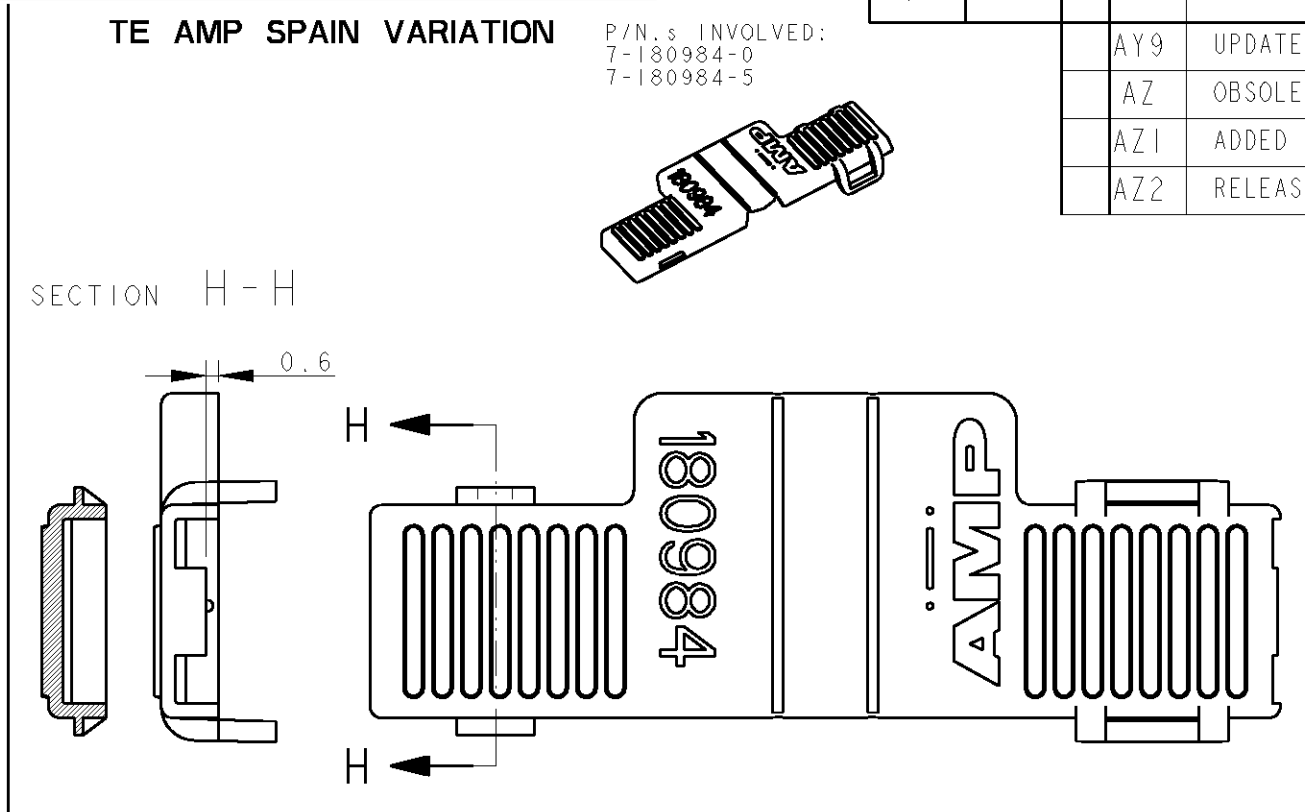
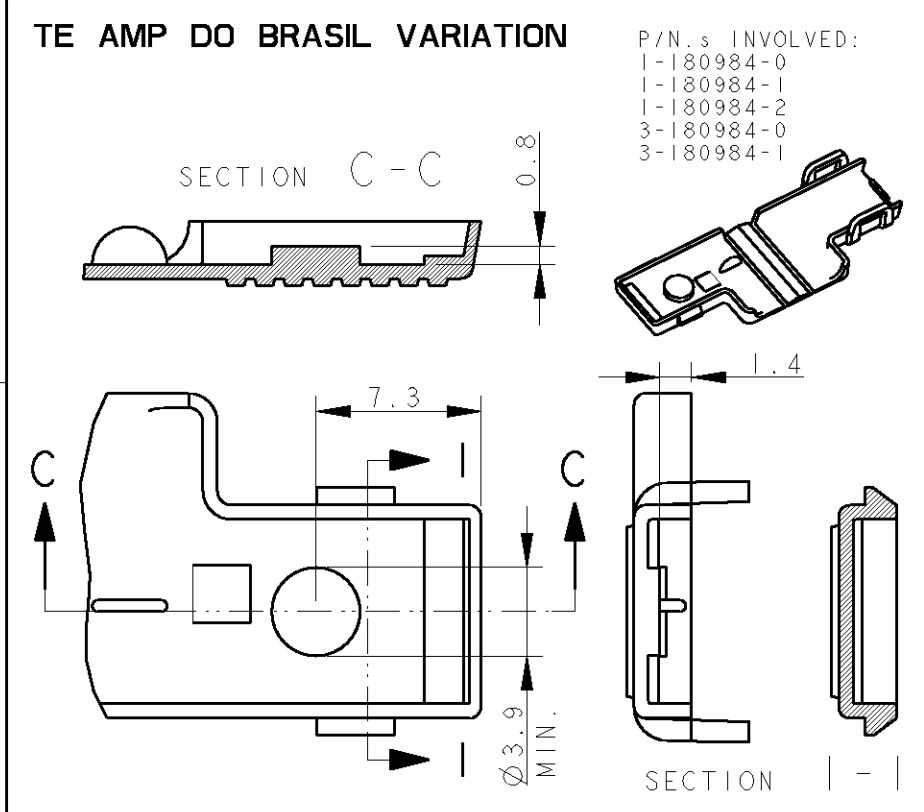


THIS DRAWING IS UNPUBLISHED. RELEASED FOR PUBLICATION 2002
 © COPYRIGHT 2002 BY TYCO ELECTRONICS CORPORATION. ALL RIGHTS RESERVED.

| LOC | | DIST | | REVISIONS | | | |
|-----|-----|-------------|--------------------------------|-------------|------|------|--|
| P | LTR | DESCRIPTION | DATE | DWN | APVD | | |
| | | AY9 | UPDATED, ET00-0110-04 | 28 MAY 2004 | H.Y. | C.T. | |
| | | AZ | OBSOLETE P/N.s, ET00-0148-04 | 06 OCT 2004 | H.Y. | G.T. | |
| | | AZ1 | ADDED P/N, ET00-0215-04 | 05 NOV 2004 | H.Y. | G.T. | |
| | | AZ2 | RELEASED 8-...-2, ET00-0044-05 | 23 FEB 2005 | H.Y. | G.T. | |



| 3 | COLORE (COLOUR) | MATERIALE (MATERIAL) | NUMERO (P/N) | REV |
|---|--------------------|----------------------------|--------------|-----|
| | NATURALE (NATURAL) | PA 6 UNFILLED | 8-180984-2 | AZ |
| | NERO (BLACK) | PA 6.6 UL 94-V0 | 8-180984-1 | AY |
| | NATURALE (NATURAL) | PA 6.6 UNFILLED (UL 94-V2) | 8-180984-0 | AY |
| | NERO (BLACK) | PA66, STOCK N. 702747-2 | 7-180984-5 | AY |
| | NATURALE (NATURAL) | PA 6.6 FLAME RETAD. | 7-180984-0 | AY |
| | NERO (BLACK) | ULTRAMID A3W | 3-180984-1 | AY |
| | NATURALE (NATURAL) | PA 6.6 UNFILLED (UL 94-V2) | 3-180984-0 | AY |
| | NERO (BLACK) | | 2-180984-0 | AY |
| | ROSSO (RED) | | 1-180984-2 | AY |
| | NATURALE (NATURAL) | | 1-180984-1 | AY |
| | NERO (BLACK) | | 1-180984-0 | AY |
| | ROSSO (RED) | | 0-180984-5 | AY |
| | NATURALE (NATURAL) | | 0-180984-1 | AY |
| | NATURALE (NATURAL) | | 0-180984-0 | AY |

THIS DRAWING IS A CONTROLLED DOCUMENT FOR TYCO ELECTRONICS CORPORATION IT IS SUBJECT TO CHANGE AND THE CONTROLLING ENGINEERING ORGANIZATION SHOULD BE CONTACTED FOR THE LATEST REVISION.

DWN H. YAALI 18SEP2002
 CHK C. TARTARI
 APVD -

PRODUCT SPEC 108-20109
 APPLICATION SPEC -

WEIGHT -

CUSTOMER DRAWING

tyco Electronics tyco Electronics AMP Italia S.p.A.
 Corso F.lli Cervi, 15 COLLEGNO (TO)

NAME FLAG FASTON BOOT .250" SERIES

SIZE A3 CAGE CODE 00779 DRAWING NO C-180984 RESTRICTED TO -

SCALE 3:1 SHEET 1 OF 1 REV AZ2