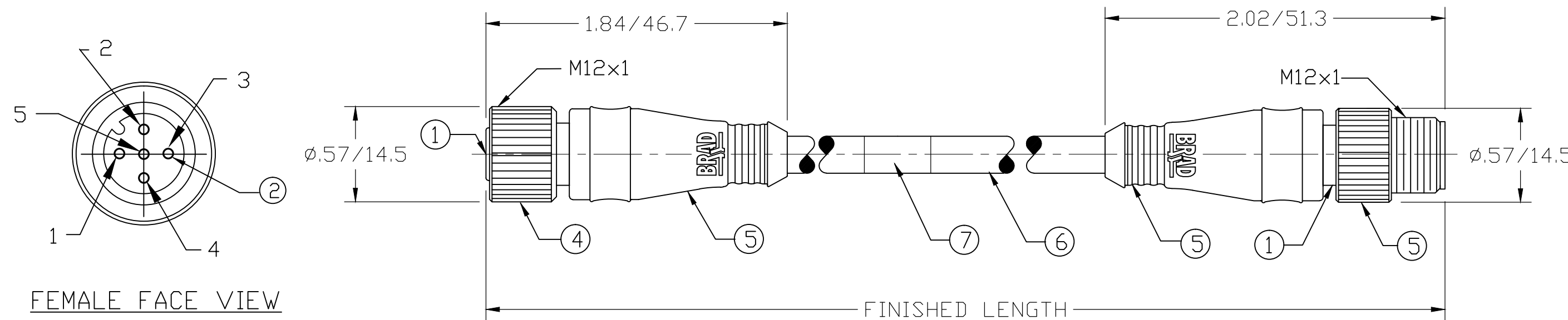
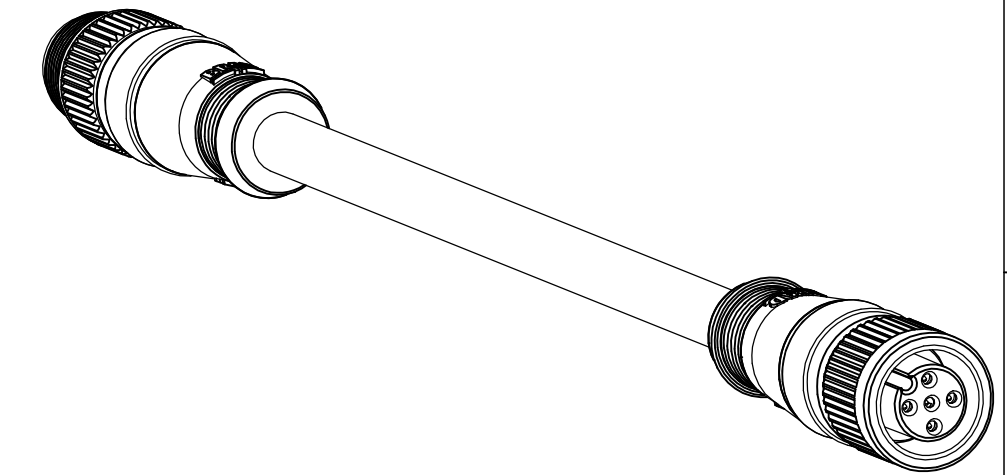


MATERIAL NUMBER	OLD PART NUMBER	FINISHED LENGTH
130028-0022	DND22A-M003	.98' +.75" -0 [3M +19.1 -0]
130028-0023	DND22A-M005	1.64' +1.75" -0 [5M +44.5 -0]
130028-0027	DND22A-M009	2.95' +1.75" -0 [9M +44.5 -0]
130028-0028	DND22A-M010	3.28' +2.19" -0 [1.0M +55.6 -0]
130028-0033	DND22A-M020	6.56' +3.50" -0 [2.0M +88.9 -0]
130028-0037	DND22A-M030	9.84' +3.50" -0 [3.0M +88.9 -0]
130028-0038	DND22A-M031	10.17' +3.50" -0 [3.1M +88.9 -0]
130028-0040	DND22A-M040	13.12' +6.50" -0 [4.0M +165.1 -0]
130028-0042	DND22A-M050	16.40' +6.50" -0 [5.0M +165.1 -0]
130028-0043	DND22A-M060	19.69' +6.50" -0 [6.0M +165.1 -0]

MATERIAL NUMBER	OLD PART NUMBER	FINISHED LENGTH
130028-0239	DND22A-M070	22.97' +6.50" -0 [7.0M +165.1 -0]
130028-0044	DND22A-M080	26.25' +12.50" -0 [8.0M +317.5 -0]
130028-0045	DND22A-M090	29.53' +12.50" -0 [9.0M +317.5 -0]
130028-0046	DND22A-M100	32.81' +12.50" -0 [10.0M +317.5 -0]
130028-0048	DND22A-M150	49.21' +24.50" -0 [15.0M +622.3 -0]
130028-0050	DND22A-M200	65.62' +24.50" -0 [20.0M +622.3 -0]
130028-0052	DND22A-M250	82.02' +24.50" -0 [25.0M +622.3 -0]
130028-0054	DND22A-M300	98.43' +24.50" -0 [30.0M +622.3 -0]



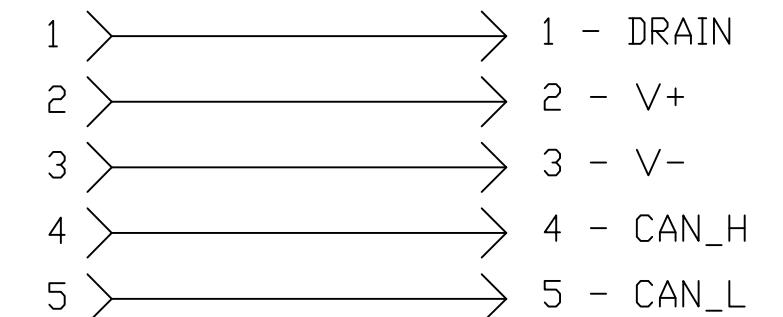
VOLTAGE RATING	250 VAC/VDC
AMPERAGE RATING	4 AMPS
PROTECTION	IP67
OPERATING TEMPERATURE	-20°C TO 80°C
UL CERTIFICATIONS	UL LISTED, FILE NO. E152210
CSA CERTIFICATIONS	CSA CERTIFIED, FILE NO. LR6837

Ⓒ PART NUMBER LEGEND

DND22A-M005

FINISHED LENGTH:
M005= 0.5 METER
M010= 1 METER
M100= 10 METER

SCHEMATIC



ITEM	COMPONENT	MATERIAL	FINISH
1	INSERT	NYLON 6/6	BLACK
2	CONTACT SOCKET	COPPER ALLOY	GOLD OVER NICKEL
3	CONTACT PIN	COPPER ALLOY	GOLD OVER NICKEL
4	COUPLING NUT	ZINC DIE CAST	BLACK E-COATED
5	OVERMOLD	PVC	GRAY
6	CABLE-DEVICENET THIN CABLE 2/22 & 2/22 SHIELD PAIR	PVC	GRAY
7	LABEL	VINYL	BLACK/YELLOW

ADD LEGEND EC NO.: IPG2017-0603 DRWN: RSTONE 12/15/16 CHKD: K COX 2016/12/20 APPR: BWOODMAN	QUALITY SYMBOL	GENERAL TOLERANCES (UNLESS SPECIFIED)	DIMENSION STYLE INCH/MM	SCALE ---	DESIGN UNITS INCH	THIRD ANGLE PROJECTION
	▽=0 ∇=0	4 PLACES ±--- ±--- 3 PLACES ±--- ±--- 2 PLACES ±--- ±.01 1 PLACE ±.3 ±---	mm INCH	DRAWN BY DATE RSTONE 2016/09/16	TITLE MICRO-CHANGE 5P M/MFE DEVICENET CORDSET	
		ANGULAR ±2°		CHECKED BY DATE M ZIELIN 2016/09/26	MOLEX INCORPORATED	
		DRAFT WHERE APPLICABLE MUST REMAIN WITHIN DIMENSIONS		APPROVED BY DATE -----	DOCUMENT NO. SD-130028-001	SHEET NO. 1 OF 1
			SIZE C	THIS DRAWING CONTAINS INFORMATION THAT IS PROPRIETARY TO MOLEX INCORPORATED AND SHOULD NOT BE USED WITHOUT WRITTEN PERMISSION		