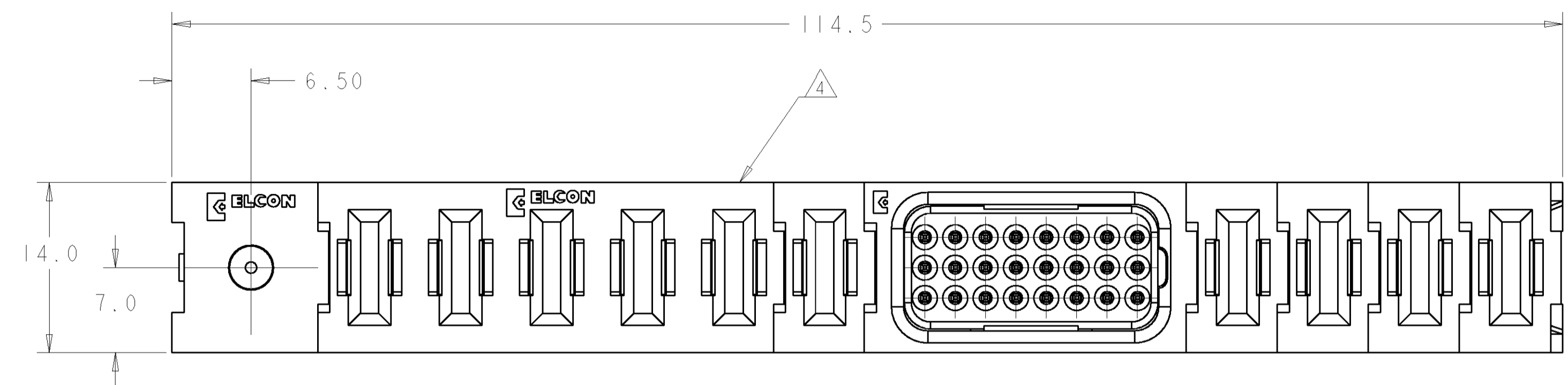


LOC	DIST	REVISIONS					
GP	00	P	LTR	DESCRIPTION	DATE	DWN	APVD
		A		NEW RELEASE	08AUG2007	RG	PD



1. PART NUMBER CHANGES AND OR DESIGN CHANGES AFFECTING ITEM INTERCHANGEABILITY REQUIRE PRIOR TYCO ELECTRONICS APPROVAL AND AUTHORIZATION BY REVISION TO THIS DRAWING.

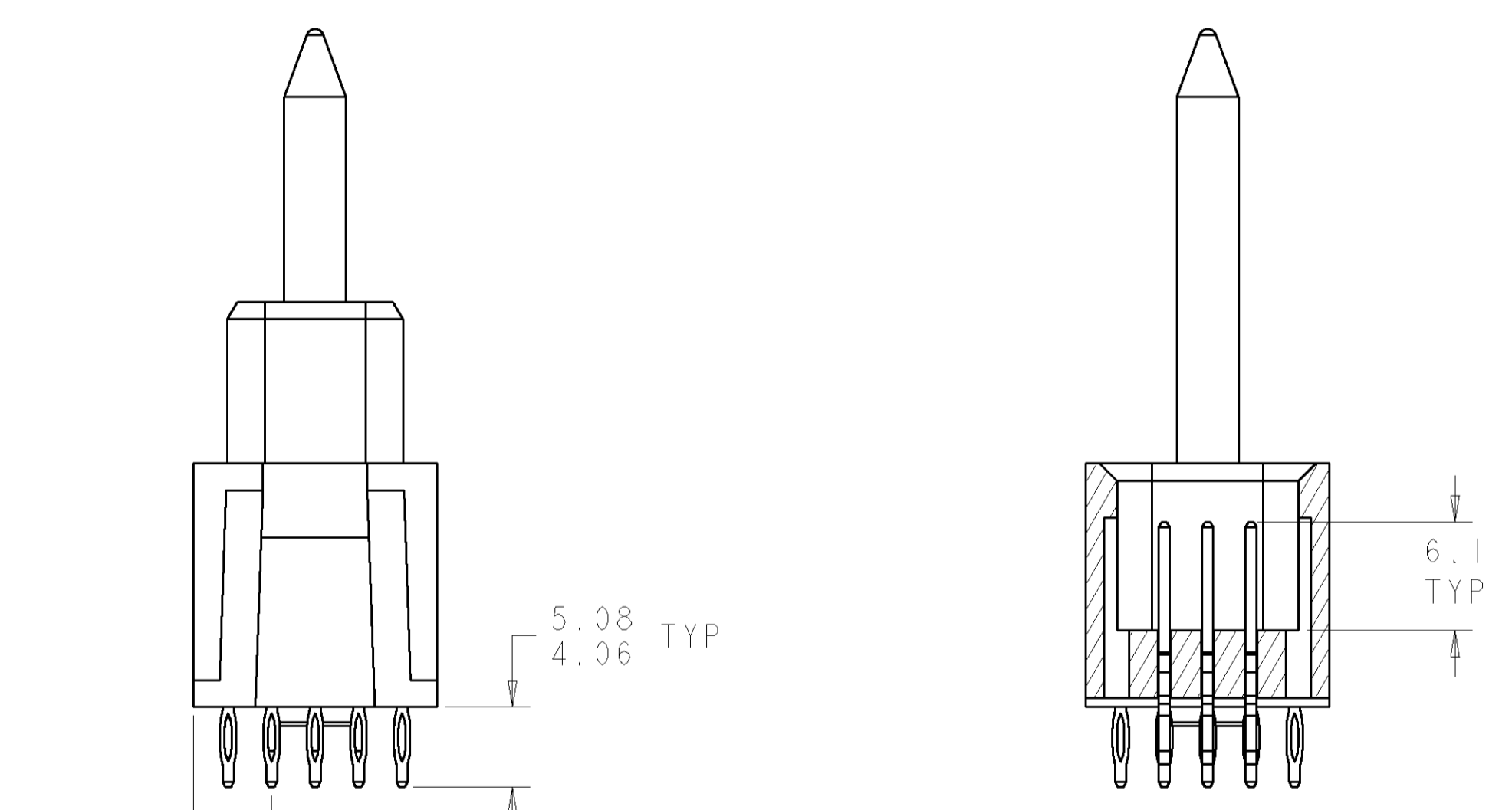
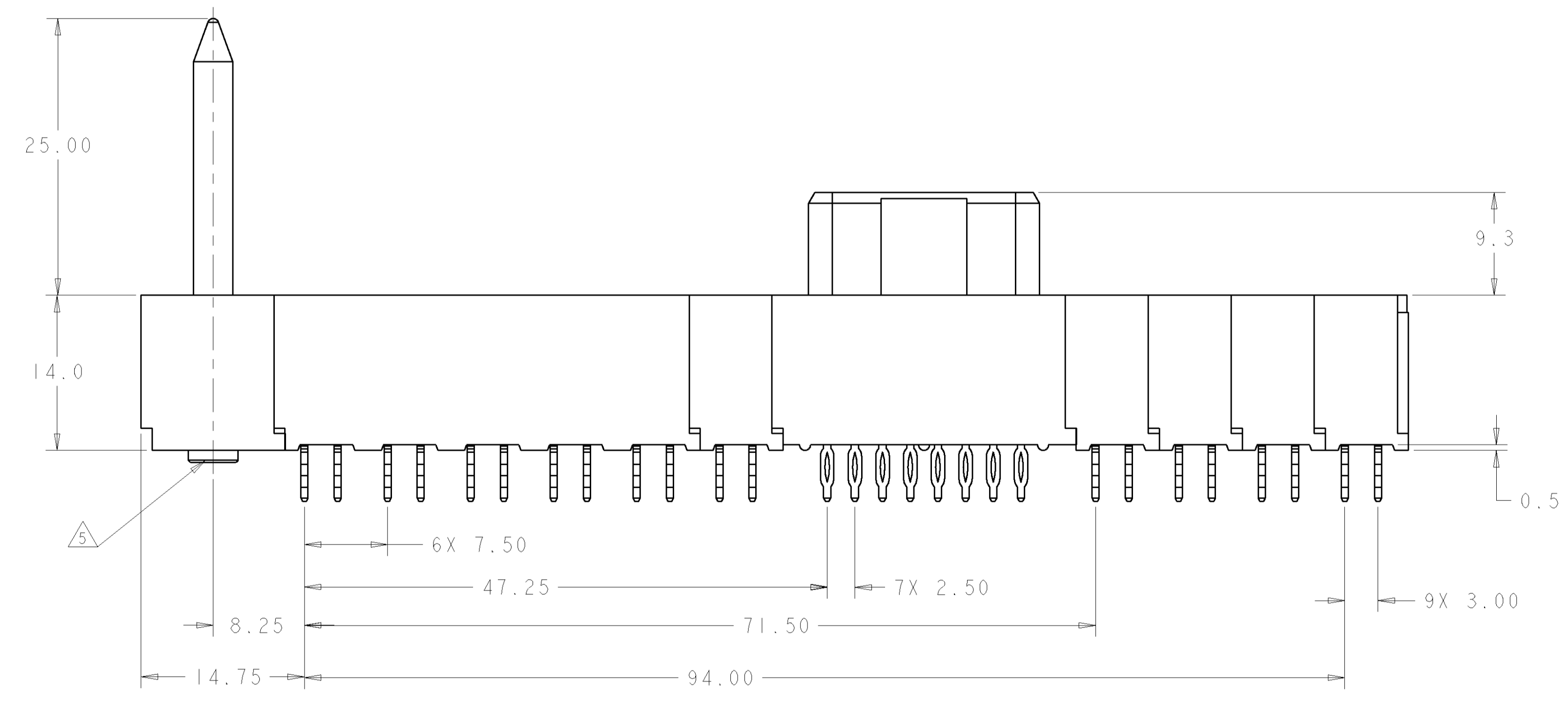
2 MATERIAL: INSULATORS - THERMOPLASTIC, GLASS REINFORCED, COLOR: BLACK UL94V-0 FLAMMABILITY RATED.
 POWER CONTACTS - PHOSPHOR BRONZE ALLOY, COPPER ALLOY
 COMPLIANT SIGNAL PIN - BRASS ALLOY
 CROWN BAND-BERYLLIUM COPPER ALLOY
 GUIDE PIN-COPPER ALLOY

3 FINISH: CONTACTS - GOLD PLATE 0.76µm MIN. THK., OVER NICKEL 1.27µm MIN. THK.
 COMPLIANT TAILS, TIN 1.02µm MIN. THK. OVER NICKEL 1.27µm MIN. THK.
 GUIDE PIN - SILVER PLATE 5.08µm MIN THK. OVER NICKEL 1.27µm MIN. THK.

4 ITEMS PROVIDED TO THIS SPECIFICATION TO BE PERMANENTLY IDENTIFIED PER THE FOLLOWING IDENTIFIER LABEL

TYCO ELECTRONICS P/N: XXXXXXX-X
 DATE CODE (e.g. 0106): YEAR XX WEEK XX

5 ACTIVE GUIDE PIN ACCEPTS M3 X 0.5 SCREWS (USER SUPPLIED).

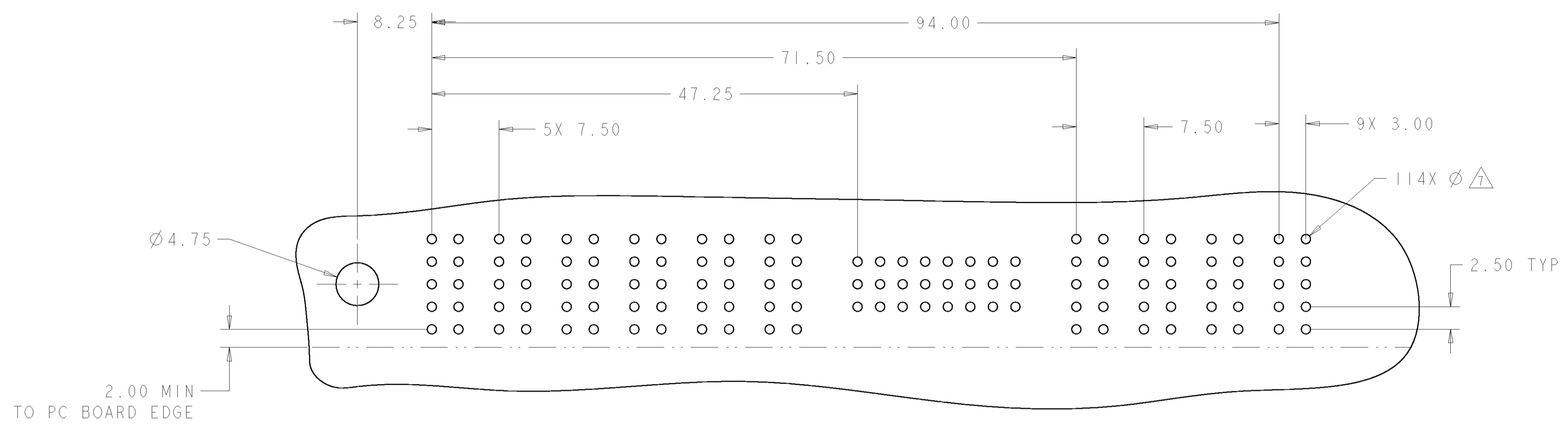


SECTION Z-Z
 GENDER CHANGER
 REMOVED
 FOR CLARITY

ELCON FLATPAQ

DIMENSIONS:		TOLERANCES UNLESS OTHERWISE SPECIFIED:		DWN: R. GRZYBOWSKI 08AUG2007		AS SHOWN 6646495-1	
mm	0 PLC ±.5	1 PLC ±.5	2 PLC ±.25	3 PLC ±.25	4 PLC ±.25	5 PLC ±.25	DESCRIPTION PART NUMBER
MATERIAL: -		FINISH: -		ENGR: P. DAMATO 08AUG2007		Tyco Electronics Harrisburg, PA 17105-3608	
APVD: S. FLICKINGER 08AUG2007		NAME: SOCKET CONNECTOR STRAIGHT, COMPLIANT TAIL FLATPAQ		PRODUCT SPEC: -		RESTRICTED TO: -	
APPLICATION SPEC: -		WEIGHT: -		SCALE: 3:1		SHEET 1 OF 3	
CUSTOMER DRAWING		A100779C=6646495		REV: A			

LOC	DIST	REVISIONS			
P	LTR	DESCRIPTION	DATE	DNW	APVD
GP	00	SEE SHEET 1	-	-	-

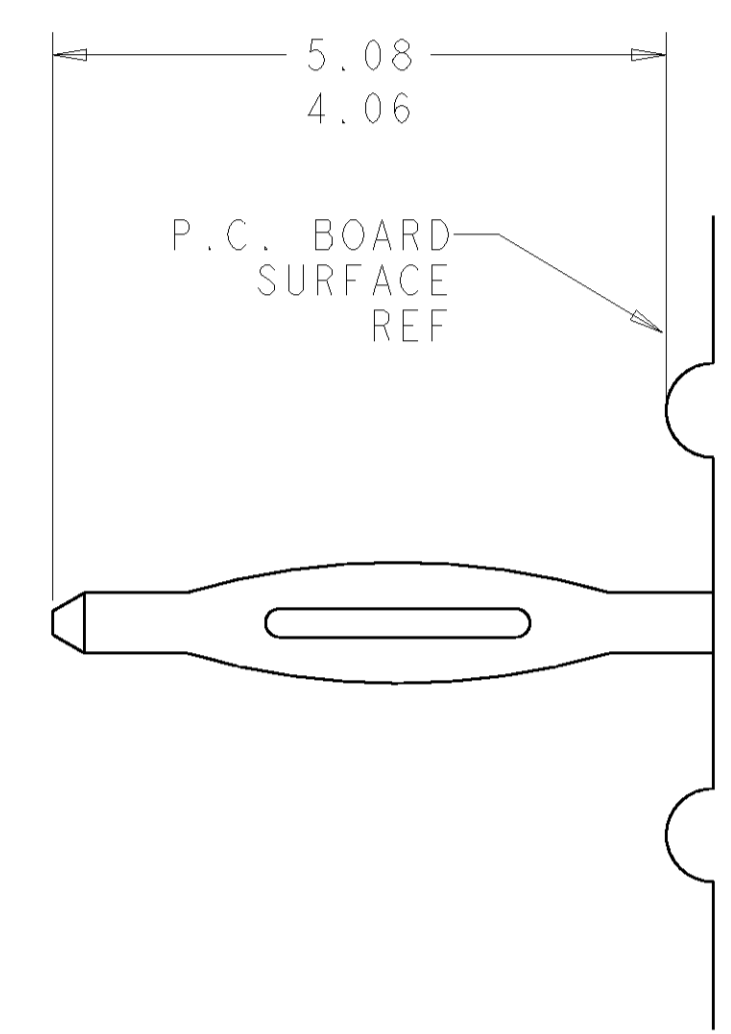


PRINTED CIRCUIT LAYOUT
 COMPONENT SIDE

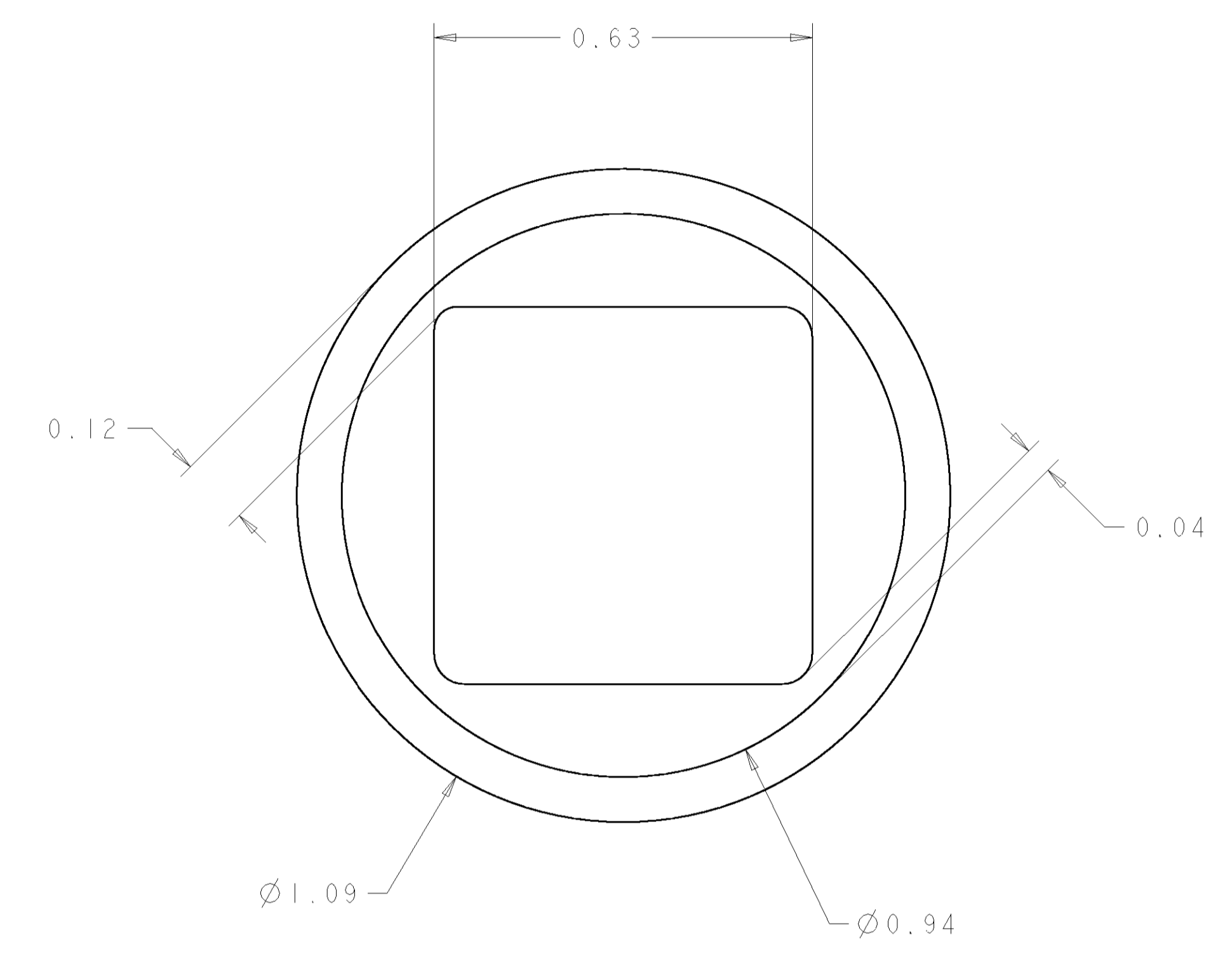
CONNECTOR	CATALOG MODULE #	QTY	SIZE NO.	CONTACT QTY	MATING PIN	MAX. CURRENT (PER CONTACT)	CONTACT SPACING	VOLTAGE RATING
SOCKET	FP200	9	8	9	1.25 X 7.00 [.049 X .276]	35 amps	7.50 [.2953]	250 VOLTS
	FP401	1	8	24	.64 [.025] SQ.	3 amps	2.50 [.0984]	125 VOLTS
	FP511	1	SPACER					
	FP515	1	GUIDE PIN, ACTIVE					

<small>THE DIMENSIONS OF CONNECTORS SPECIFIED HEREIN REQUIRE THE OBSERVATION OF THE FOLLOWING TOLERANCES UNLESS OTHERWISE SPECIFIED:</small> <small>IF IT IS NECESSARY TO CHANGE THE DIMENSIONS AND TOLERANCES SPECIFIED HEREIN, CONTACT THE CUSTOMER FOR THE CORRECT POSITION.</small>		DWN: B. GRZYBOWSKI ENR: P. DAMATO APVD: S. FLICKINGER	Tyco Electronics Harrisburg, PA 17105-3608
DIMENSIONS: mm 	TOLERANCES UNLESS OTHERWISE SPECIFIED: 0 PLC ±.5 1 PLC ±.5 2 PLC ±.25 3 PLC ±.5 4 PLC ±.5 ANGLES ±.3 FINISH -	08AUG2007 08AUG2007 08AUG2007 PRODUCT SPEC APPLICATION SPEC WEIGHT - CUSTOMER DRAWING	NAME: SOCKET CONNECTOR STRAIGHT, COMPLIANT TAIL FLATPAQ SIZE: A 00779 C=6646495 SCALE: 3:1 SHEET 2 OF 3 REV A

LOC	DIST	REVISIONS			
P	LTR	DESCRIPTION	DATE	DWN	APVD
-	-	SEE SHEET 1	-	-	-



6. COMPLIANT PIN DETAIL
 SCALE 10 : 1
 INSERTION/EXTRACTION FORCES
 MAXIMUM PUSH IN: 133.3N PER PIN (30 LBS)
 MINIMUM PUSH OUT: 44.4N PER PIN (10 LBS)



△ SOLDER TERMINATION AREA
 SCALE 40:1
 RECOMMENDED PRINTED CIRCUIT SOLDER HOLE
 DRILLED HOLE: $\varnothing 1.15$ [0.0453] ± 0.013 [0.0005]
 COPPER PLATE: .025 [0.0010] MIN.
 TIN PLATE: .008 [0.0003] MIN. (PER SURFACE)

<small>THE INFORMATION CONTAINED HEREIN IS UNCLASSIFIED EXCEPT WHERE SHOWN OTHERWISE. IT IS THE PROPERTY OF TYCO ELECTRONICS CORPORATION AND IS TO BE CONTAINED AND CONTROLLED BY THE USER. IT IS TO BE DESTROYED BY THE USER UPON REQUEST.</small>		DWN: R. GRZYBOWSKI ENR: P. DAMATO APVD: S. FLICKINGER	Tyco Electronics Harrisburg, PA 17105-3608
DIMENSIONS: mm 	TOLERANCES UNLESS OTHERWISE SPECIFIED: 0 PLC ±.5 1 PLC ±.5 2 PLC ±.25 3 PLC ±.25 4 PLC ±.25 ANGLES ±.3 FINISH -	08AUG2007 08AUG2007 08AUG2007 PRODUCT SPEC APPLICATION SPEC WEIGHT - CUSTOMER DRAWING	NAME: SOCKET CONNECTOR STRAIGHT, COMPLIANT TAIL FLATPAQ SIZE: A 00779 C=6646495 SCALE: 3:1 SHEET 3 OF 3 REV A