

NUMBER 179552

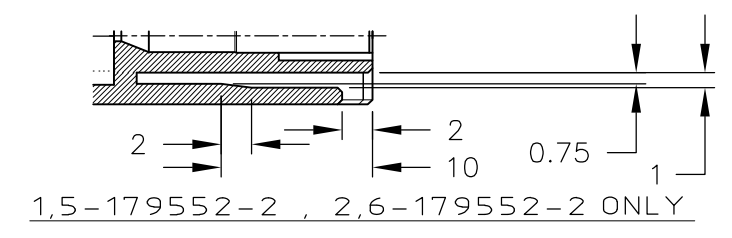
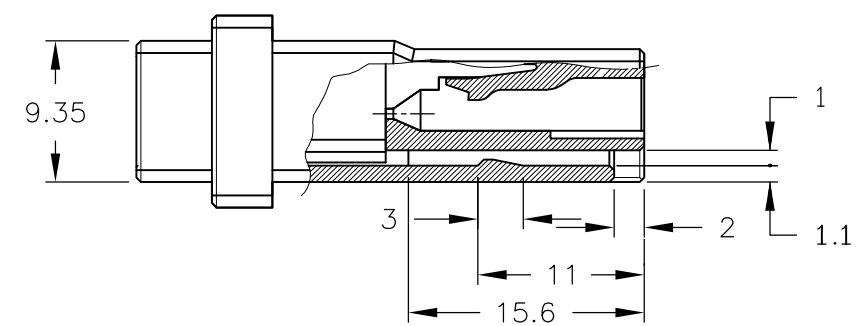
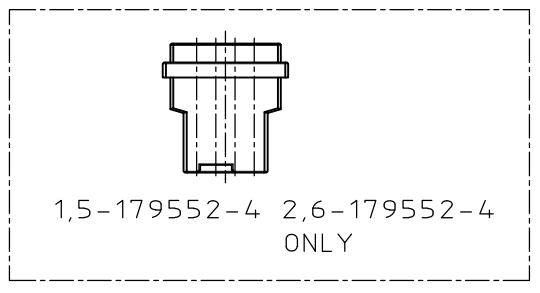
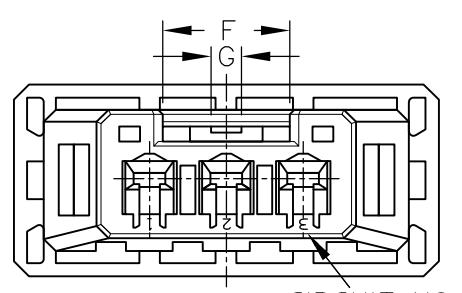
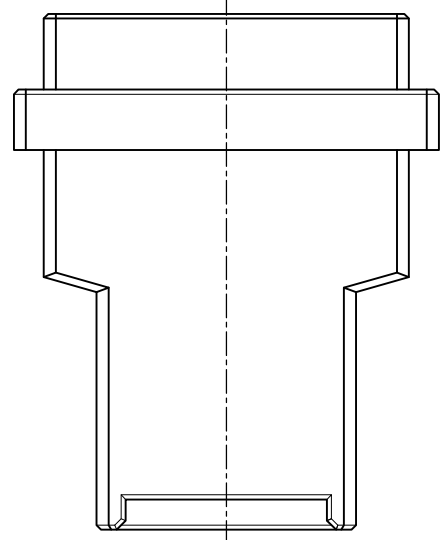
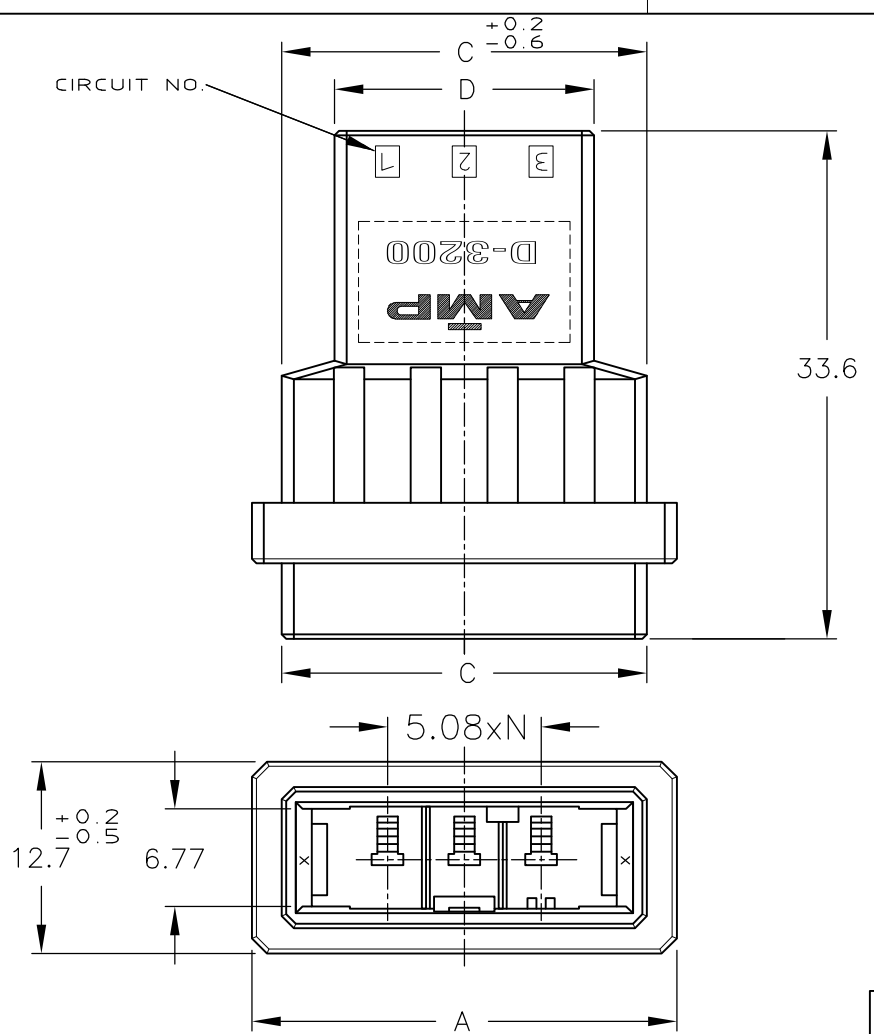
METRIC
(3rd ANGLE PROJECTION)

METRIC

DIMENSIONS IN MM. DO NOT SCALE PRINT

PRINT DIST

AMP-J
REV.10/83



NOTES

- 1 MATERIAL:GLASS FIELD THERMO PLASTIC,POLYESTER COLOR,BLACK
- ~~2 TO COAT ALL SURFACE OF HOUSING WITH TEFLON~~

FINISH	KEYING PATTERN	POS.	DIMENSION	A	-	C	D	-	F	G	N	KEY	PART NUMBER
OBSOLETE				4	33.19	29.24	22.24		8.4	2	3	Y	6-179552-4
OBSOLETE				4	33.19	29.24	22.24		8.4	2	3	X	5-179552-4
-				4	33.19	29.24	22.24		8.4	2	3	Y	2-179552-4
-				4	33.19	29.24	22.24		8.4	2	3	X	1-179552-4
OBSOLETE				3	28.11	24.16	17.16		8.4	2	2	Y	6-179552-3
OBSOLETE				3	28.11	24.16	17.16		8.4	2	2	X	5-179552-3
-				3	28.11	24.16	17.16		8.4	2	2	Y	2-179552-3
-				3	28.11	24.16	17.16		8.4	2	2	X	1-179552-3
OBSOLETE				2	23.03	19.08	12.08		8.4	2	1	Y	6-179552-2
OBSOLETE				2	23.03	19.08	12.08		8.4	2	1	X	5-179552-2
-				2	23.03	19.08	12.08		8.4	2	1	Y	2-179552-2
-				2	23.03	19.08	12.08		8.4	2	1	X	1-179552-2

(WIRE RANGE) - mm(AWG -) (MATERIAL) SEE NOTES		(INSULATION DIA) - mmφ (FINISH)		(NAME) D3200S WIRE TO WIRE TAB HSG FOR DYNAMIC D-3200S FREE HANGING TYPE		(GENERAL TOLERANCE) ≤10 : ±0.2 10 ≤30 : ±0.25 30 ≤100 : ±0.3 ANGLE : ±3°		SIZE A3	LOC J	(No.) C=179552	
						(SCALE) 2/1		REV. F	SHEET 1 OF 1		
F	REVISED PER ECR-11-012413	T.T	T.M	17 JUN 11	DR.	31 JAN 94 N. Matsubara	DE.	31 JAN 94 N. Matsubara			
LTR	(REVISION RECORD)	DR	CHK	DATE	CHK.	1 FEB 94 S. MANABE	APP.	1 FEB 94 S. MANABE			

