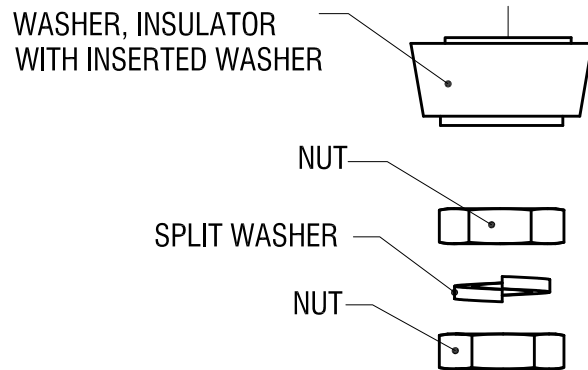
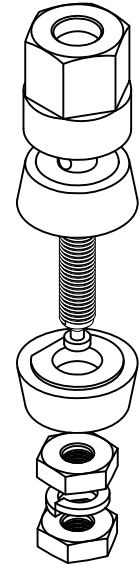
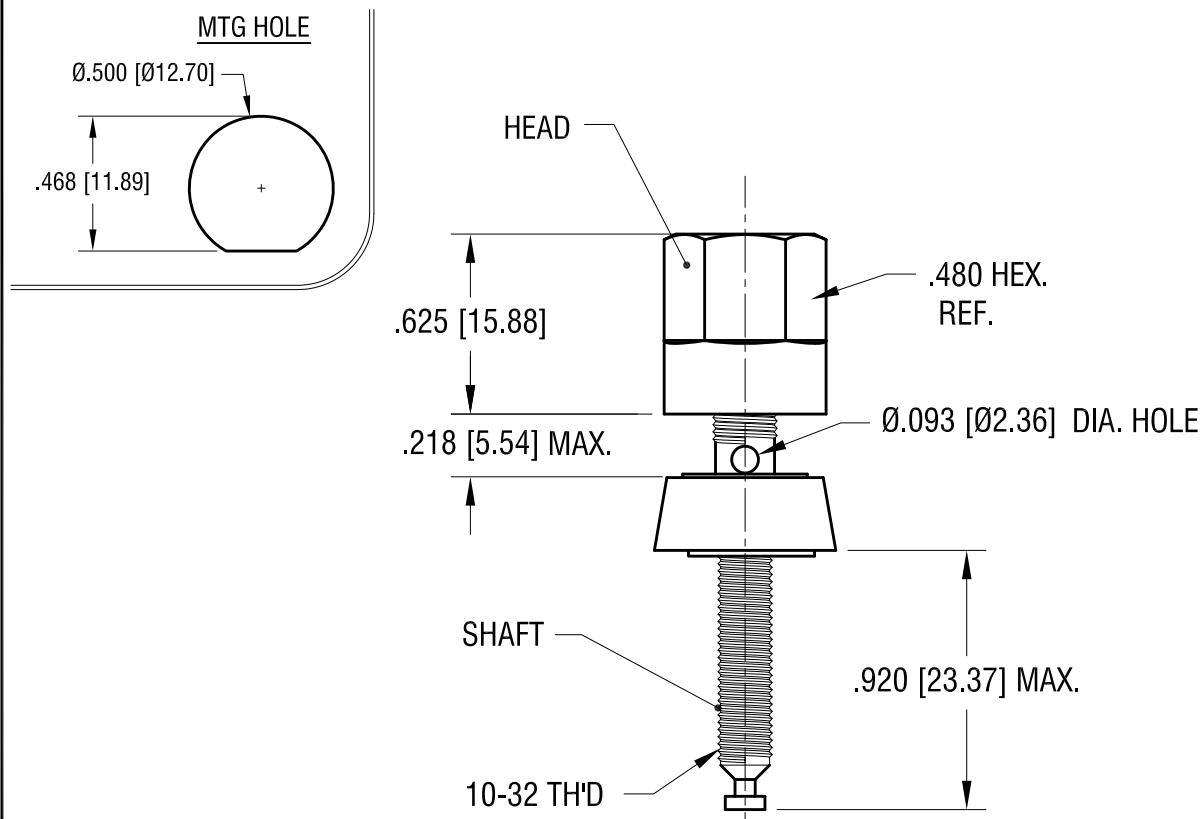


THIS DOCUMENT IS THE PROPERTY OF KEYSTONE ELECTRONICS CORP. AND SHALL NOT BE REPRODUCED, DISTRIBUTED OR USED AS A BASIS FOR MANUFACTURE WITHOUT PRIOR WRITTEN PERMISSION FROM KEYSTONE ELECTRONICS CORP.

ACTUAL SIZE



HEAD	NYLON	-
WASHER, INSULATOR	NYLON	-
SPLIT WASHER	BRASS	NICKEL PL.
NUT	BRASS	NICKEL PL.
SHAFT 10-32 TH'D	BRASS	NICKEL PL.
DESCRIPTION	MAT'L	FINISH

P/N	TH'D	COLOR
4093	10-32	RED
4094	10-32	BLACK

DATE	DESCRIPTION	REV.
11.11.09	CHANGE AS PER ECN 09-166	B
2.17.06	CHANGE AS PER ECN 06-013	A

KEYSTONE ELECTRONICS CORP.
 www.keyelco.com • ASTORIA, N.Y. 11105-2017 • Tel (718) 956-8900

PART NAME: STANDARD 'HEX' BINDING POST

MATERIAL: AS NOTED

FINISH: AS NOTED

DRN BY: BOONE DATE: 11.17.93
 APP'D: LN SCALE: X

TOLERANCES INCH [MM]
 DECIMAL ± .005 [± 0.13]
 ANGULAR ± 1°
 UNLESS OTHERWISE SPECIFIED

CODE: C DWG NO. 4093-4094