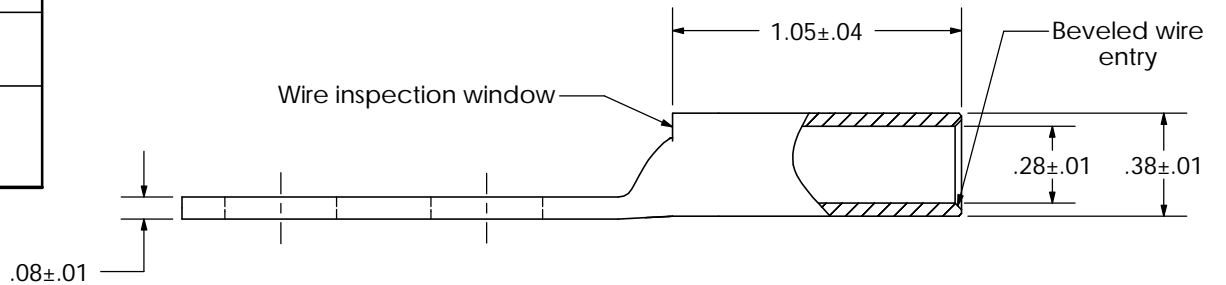
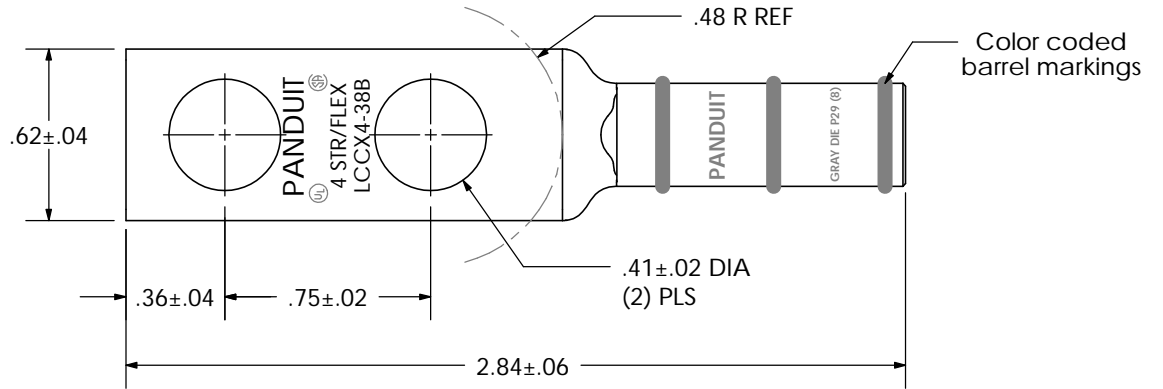


THIS COPY IS PROVIDED ON A RESTRICTED BASIS AND IS NOT TO BE USED IN ANY WAY DETRIMENTAL TO THE INTERESTS OF PANDUIT CORP.

| | |
|--|--|
| Material | High Conductivity Seamless Copper Tube |
| Plating | Electro-Tin |
| Wire Size | 4 STR/FLEX (ALL), 3 & 5 FLEX* |
| Wire Type | Stranded Copper: Class B & C Compact, Class G, H, I, K, M, Locomotive (*Locomotive only) |
| Wire Strip Length | 1-1/8 in. |
| Stud Size | 3/8 in. |
| UL Listed Wire Connector | Yes, for applications up to 35kv. Consult cable manufacturer for voltage stress relief instructions with applications greater than 2000 volts. |
| UL Temperature Rating | 90° C |
| C.S.A Certified Wire Connector | Yes |
| Panduit Color Code on Barrel | GRAY |
| Panduit Die Index No. on Barrel | P29 |
| Alternate Industry Die Index No. () on Barrel | (8) |



CERTIFIED



LISTED Wire Connector

PANDUIT CORP. TINLEY PARK, ILLINOIS

LCCX4-38B-L
Copper Lug - Two-Hole, Long Flex Barrel with Window

| | | | | | |
|----|------|------|------|---|-------|
| 03 | 1/05 | JHNU | TLCO | PANDUIT REPLACED WIRE RANGE ON BARREL MARKING | 12412 |
|----|------|------|------|---|-------|

| REV | DATE | BY | CHK | DESCRIPTION | ECN | SCALE | DRAWING NO / CAD FILE |
|-----|------|----|-----|-------------|-----|-------|-----------------------|
| | | | | | | N/A | LCCX4-38B-CUST |