

Model No: H26TG45-06
 Product Line: Tymphany

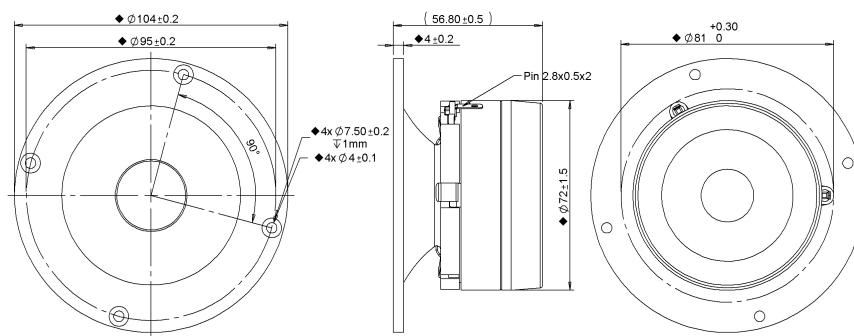
Rev: 1
 Last Update: 2017-04-21 12:39:42

Product Description

This H family tweeter features a 25 mm 6 ohm voice coil, a treated silk dome, a large rear chamber for low resonant frequency, and a ferrofluid-cooled ferrite motor. The large motor and rear chamber allows for robust power handling capacity. The tweeter comes with a faceplate with recessed mounting holes, for easy installation into the desired application. The faceplate has a horn geometry for increased sensitivity.



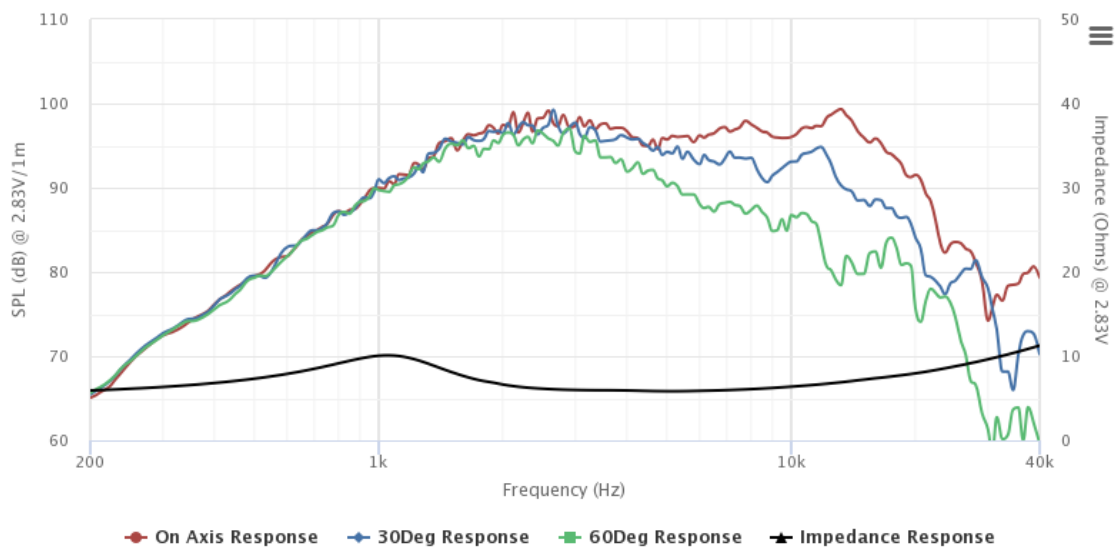
Mechanical Drawing



Specifications

DC Resistance	Revc	Ohms	4.69	5.0%	Energy Bandwidth Product	EBP	(1/Qes)*fs
Minimum Impedance	Zmin	Ohms	5.84	7.5%	Moving Mass	Mms	g
Voice Coil Inductance	Le	mH	0.02		Suspension Compliance	Cms	um/N
Resonant Frequency	Fs	Hz	1018.82	15%	Effective Cone diameter	D	cm
Mechanical Q Factor	Qms		0.98		Effective Piston Area	Sd	cm ²
Electrical Q Factor	Qes	1.13			Effective Volume	Vas	L
Total Q Factor	Qts	0.53			Motor Force Factor	BL	Tm
Ratio Fs/Qts	F	Fs/Qts	1940.6		Motor Efficiency Factor	β	(T*M ²)/Ohms
Half Space Sensitivity @2.83V	db@2.83V/1M	dB	95.98	+/- 1.0db	Voice coil former Material	VCfm	ASV
Half Space Sensitivity @1W/1M	db@1W/1M	dB	94.6	+/- 1.0db	Voice coil inner diameter	Vcd	mm
Gap Height	Gh	mm	2.5		Rated Noise Power	P	W
Maximum Linear Excursion	Xmax	mm	0.5		Test Spectrum Bandwidth		2.5KHz-20KHz
Ferrofluid Type	FF				Driver Size	Inch	25 mm
Driver Mass	Kg	0.53					

Frequency and Impedance Response



Highcharts.com