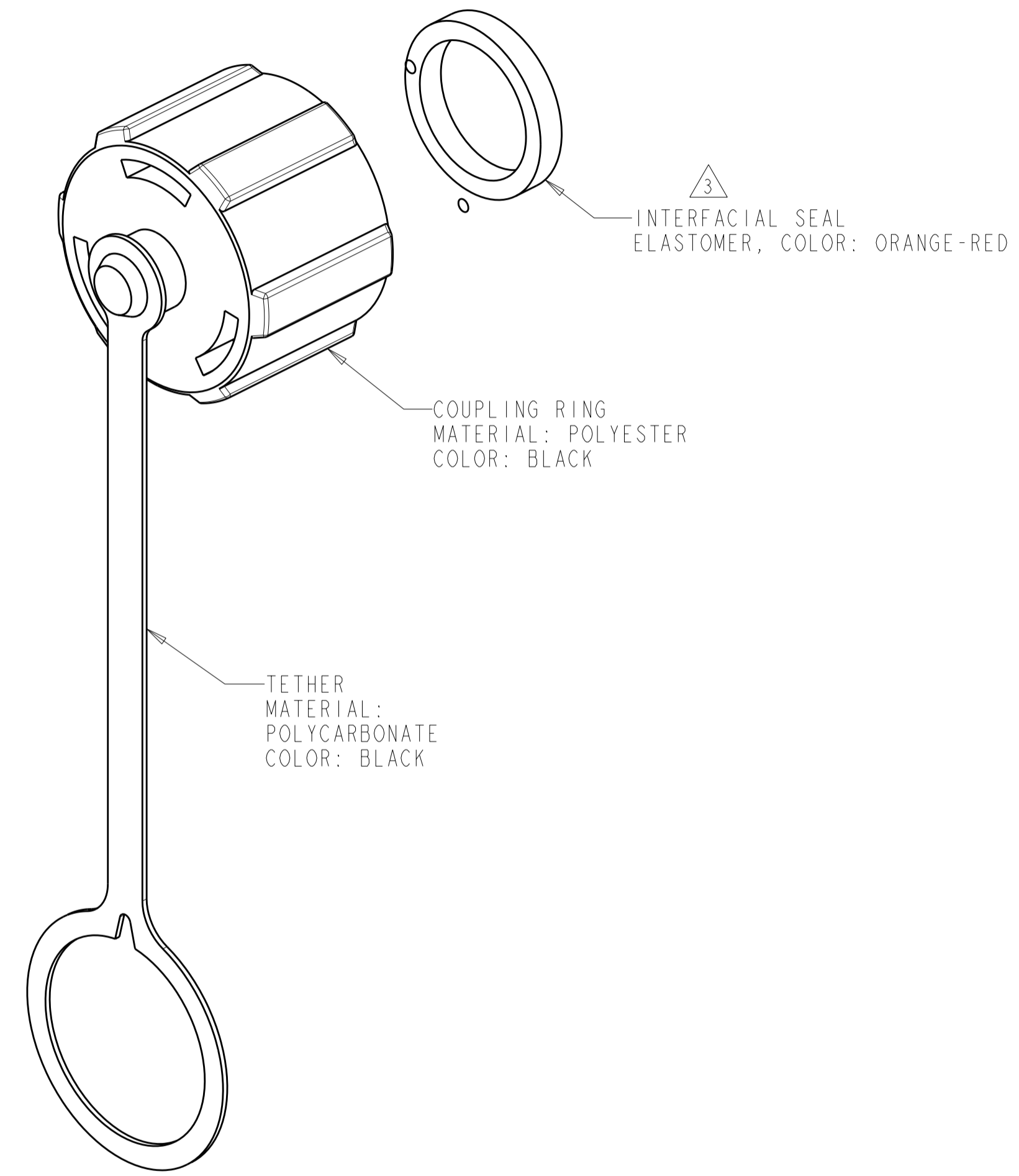
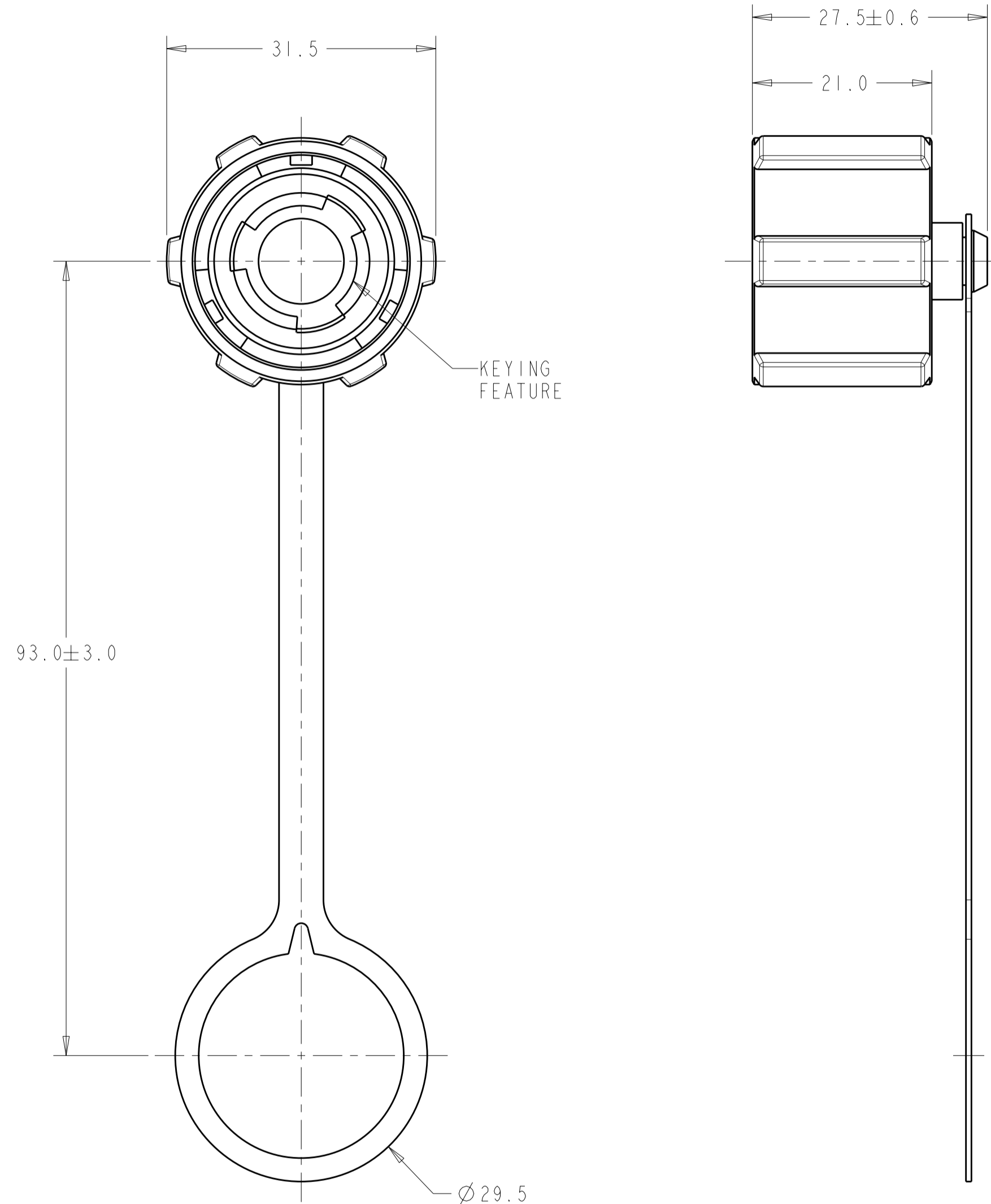


THIS DRAWING IS UNPUBLISHED. RELEASED FOR PUBLICATION 20
 © COPYRIGHT 20 ALL RIGHTS RESERVED.

LOC	DIST	REVISIONS			
P	LTR	DESCRIPTION	DATE	DWN	APVD
FT	0	B2	REVISED PER ECO-11-005027	18MAY2011	RK HMR



1. THIS PRODUCT HAS NOT COMPLETED VALIDATION TESTING.
 2. PACKAGED IN POLYBAG.
- 3 SEAL IS SECURED TO COUPLING RING WITH ADHESIVE.

1738611-1
 PART NUMBER

THIS DRAWING IS A CONTROLLED DOCUMENT.		DWN R.L. KOLLER 25MAR04	TE Connectivity	
DIMENSIONS: mm		CHK J. LANDIS 26MAR04		
TOLERANCES UNLESS OTHERWISE SPECIFIED:		APVD S. HEADER 17JUN05	NAME PROTECTIVE COVER ASSEMBLY, RECEPTACLE, INDUSTRIAL CIRCULAR ETHERNET CONNECTOR	
0 PLC ±0.3		PRODUCT SPEC	SIZE A2	
1 PLC ±0.2		APPLICATION SPEC	CAGE CODE 00779	DRAWING NO 1738611
2 PLC ±0.10		WEIGHT	RESTRICTED TO	
3 PLC ±		FINISH	-	
4 PLC ±		CUSTOMER DRAWING	SCALE 2:1	SHEET 1 OF 1
ANGLES ±1°			REV B2	