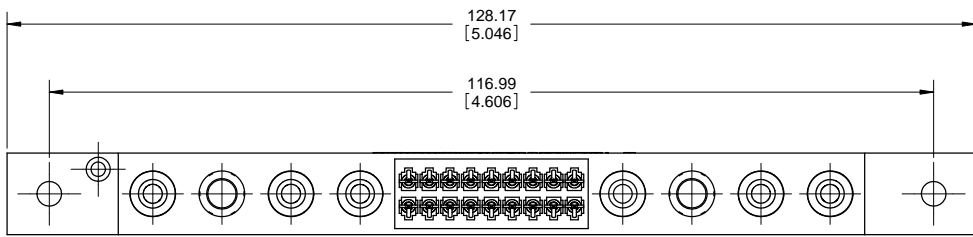
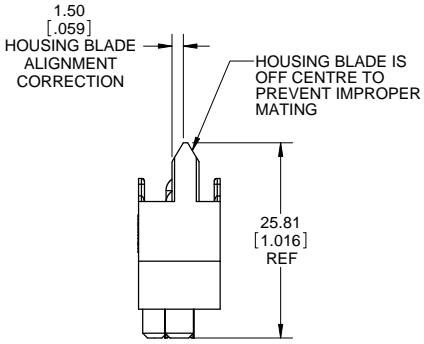
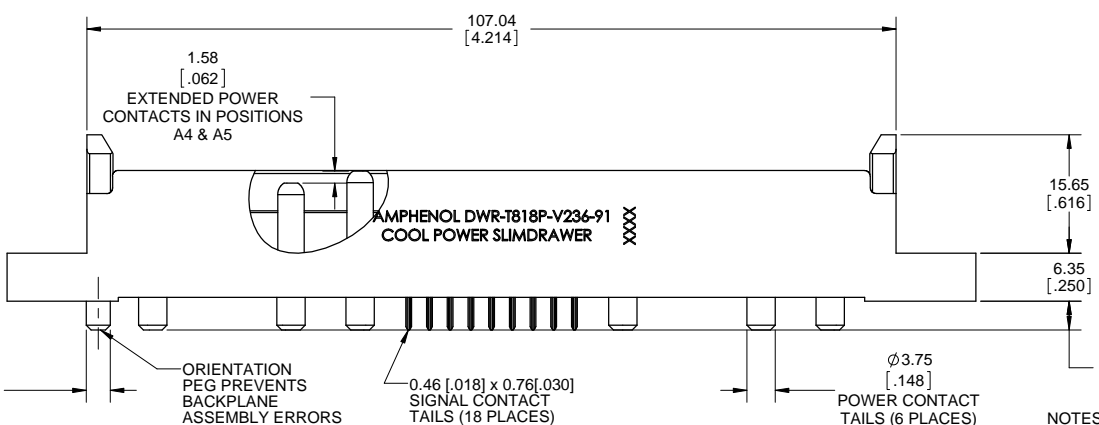
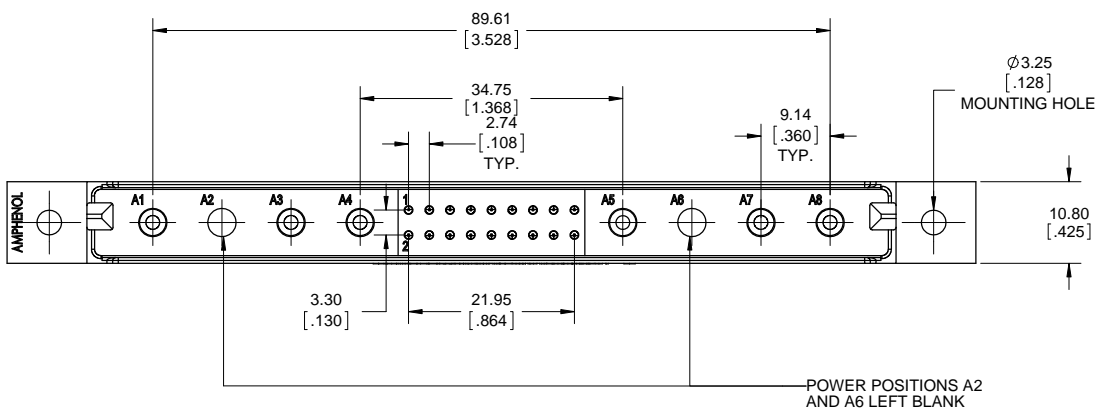


REVISIONS			
REV	DESCRIPTION, ECN, EAR NO.	DATE	APP'D
A	PROPOSAL DRAWING (EAR 13841)	MAR04/11	K.L
B	UPDATED AS PER PCN-C1087	MAR01/12	S.M
C	PINS IN POSITION A2 & A6 REMOVED	MAR07/16	S.M



NOTES:

- MATERIALS: ALL MATERIALS ARE RoHS COMPLIANT PER EU DIRECTIVE 2002/95/EC AND AMENDMENTS
 - HOUSING: HIGH TEMPERATURE RESISTANT NYLON, UL FLAMMABILITY RATING 94V-0, COLOUR BLACK
 - SIGNAL CONTACTS: PHOSPHOR BRONZE PLATED WITH 0.38µm (15µ") GOLD OVER 1.27µm (50µ") NICKEL ON THE MATING AREA AND 2.54µm (100µ") MATTE TIN OVER NICKEL ON THE TAILS.
 - POWER CONTACTS: COPPER ALLOY PLATED WITH 5.08µm (200µ") SILVER OVER 1.27µm (50µ") NICKEL DRY LUBRICANT APPLIED TO CONTACT SURFACE AFTER PLATING.
- WHEN MATED WITH SPECIAL SOCKET CONNECTOR P/N DWR-T818S-V236-90, THE ORDER OF MECHANICAL AND ELECTRICAL ENGAGEMENT IS A) HOUSING BLADES, B) HOUSING SHROUD, C) EXTENDED POWER CONTACTS (A4, A5), D) STANDARD POWER CONTACTS (A1, A3, A7, A8), E) STANDARD SIGNAL CONTACTS IN POSITIONS 3 TO 18 AND F) TWO "LAST MAKE" SIGNAL CONTACTS IN POSITIONS 1 & 2.
- RATINGS SUBJECT TO DESIGN QUALIFICATION TESTING
 - CURRENT RATING: 55A POWER, 5A SIGNAL
 - DIELECTRIC WITHSTANDING VOLTAGE: 1500VDC
 - INSULATION RESISTANCE: 5000 MEGAOHMS
 - OPERATING TEMPERATURE: -55C TO +105C

AMPHENOL PART NUMBER: DWR-T818P-V236-91

UNLESS SPECIFIED OTHERWISE	DRAWN	S.CAELERS	MAR04/11
PRIMARY UNITS MILLIMETERS	CHECKED	K.LAMBIE	MAR04/11
SECONDARY INCHES	M.E. APP'D		
REFERENCE IN PARENTHESES	Q.A. APP'D		
GENERAL TOLERANCES	DWG APPR.		
1 DECIMAL PLACE	ENG. REL. NO.	EAR 13841	
2 DECIMAL PLACES	REF.		
3 DECIMAL PLACES	THIRD ANGLE PROJECTION		
ANGULAR DEGREES	DO NOT SCALE DRAWING		

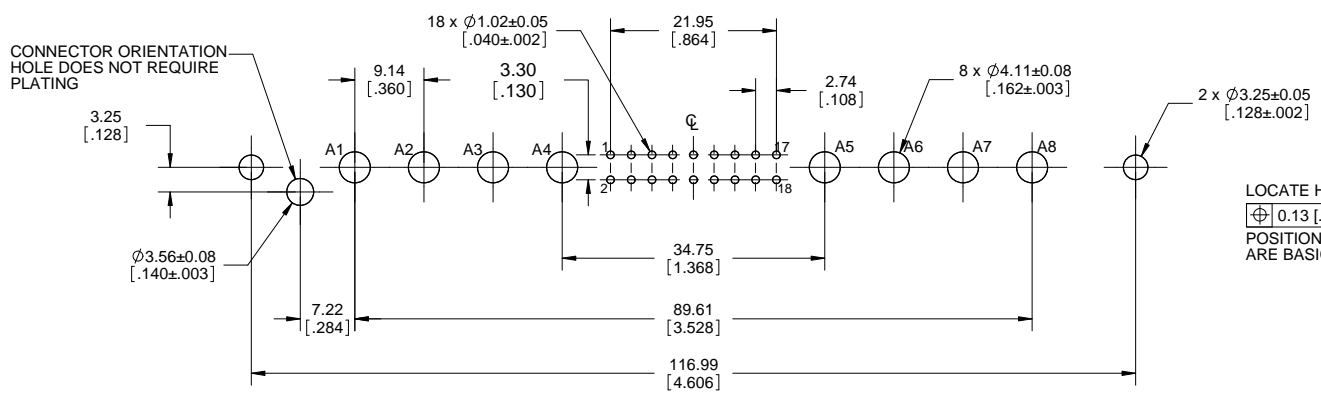
Amphenol Canada Corp.

DWR SERIES SLIM DRAWER 8 + 18 PIN (MINUS A2 & A6) CONNECTOR, PIN & SIGNAL CONTACTS, VERTICAL PCB TAILS, SPECIAL FIRST MAKE POWER CONTACTS, RoHS COMPLIANT

DWG. NO. **P-DWR-T818P-V236-91** REV **C**

CODE ID NO. 03554 DWG SIZE: C SCALE: 2:1 SHEET 1 OF 2

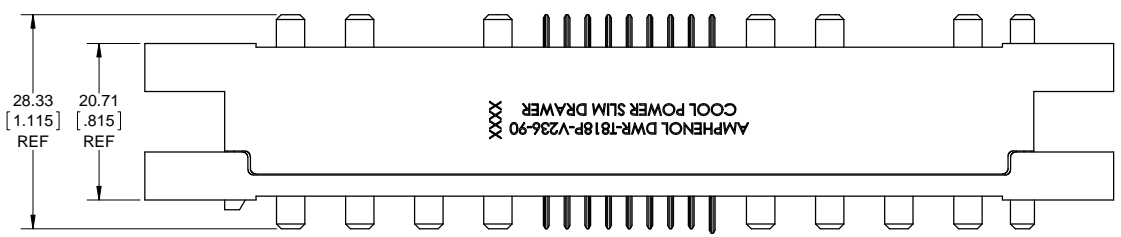
REVISIONS			
REV	DESCRIPTION, ECN, EAR NO.	DATE	APP'D
A	PROPOSAL DRAWING (EAR 13841)	MAR04/11	K.L
B	UPDATED AS PER PCN-C1087	MAR01/12	S.M
C	PINS IN POSITION A2 & A6 REMOVED	MAR07/16	S.M



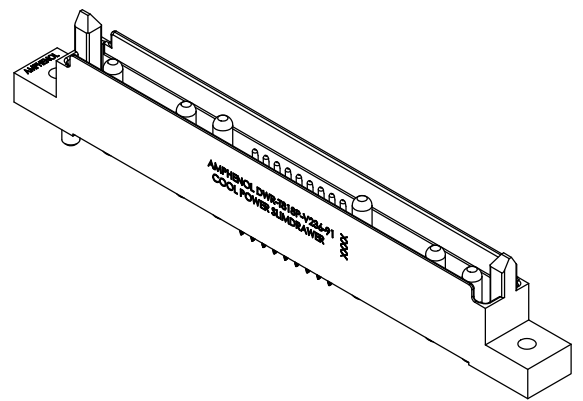
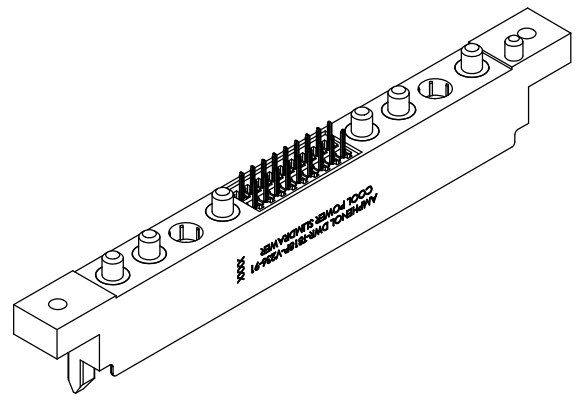
LOCATE HOLES
 $\varnothing 0.13$ [.005] DIA
 POSITION DIMENSIONS
 ARE BASIC



**RECOMMENDED PCB LAYOUT
 (COMPONENT SIDE OF BOARD)**



**PIN AND SOCKET MATED ASSEMBLY
 DWR-T818P-V236-91 AND
 DWR-T818S-V236-90**



UNLESS SPECIFIED OTHERWISE	DRAWN	S.CAELERS	MAR04/11
PRIMARY UNITS MILLIMETERS	CHECKED	K.LAMBIE	MAR04/11
SECONDARY INCHES	M.E. APP'D		
REFERENCE IN PARENTHESES	Q.A. APP'D		
GENERAL TOLERANCES	DWG APPR.		
1 DECIMAL PLACE	ENG. REL. NO.	EAR 13841	
2 DECIMAL PLACES	REF.		
3 DECIMAL PLACES	THIRD ANGLE PROJECTION		
ANGULAR DEGREES	DO NOT SCALE DRAWING		

Amphenol Canada Corp.

DWR SERIES SLIM DRAWER 8 + 18 PIN (MINUS A2 & A6) CONNECTOR, PIN & SIGNAL CONTACTS, VERTICAL PCB TAILS, SPECIAL FIRST MAKE POWER CONTACTS, RoHS COMPLIANT

DWG. NO.	REV
P-DWR-T818P-V236-91	C
CODE ID NO. 03554	DWG SIZE: C
SCALE: 2:1	SHEET 2 OF 2