

NOTES 1. 嵌合相手 : 502439-**00

MATE WITH : 502439-**00

2. 端子テール部 及び ネイルの平坦度: 0.1MAX.
TAIL AND NAIL COPLANARITY TO BE 0.1 MAX.

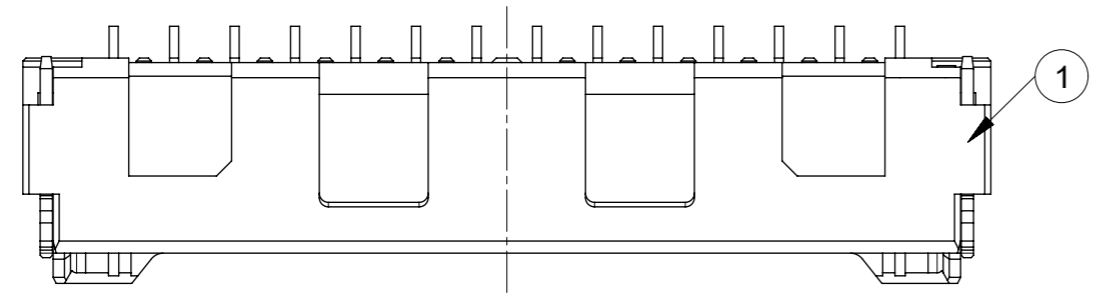
3. 偶数極に適用。

APPLY FOR CKT. SIZE = EVEN.

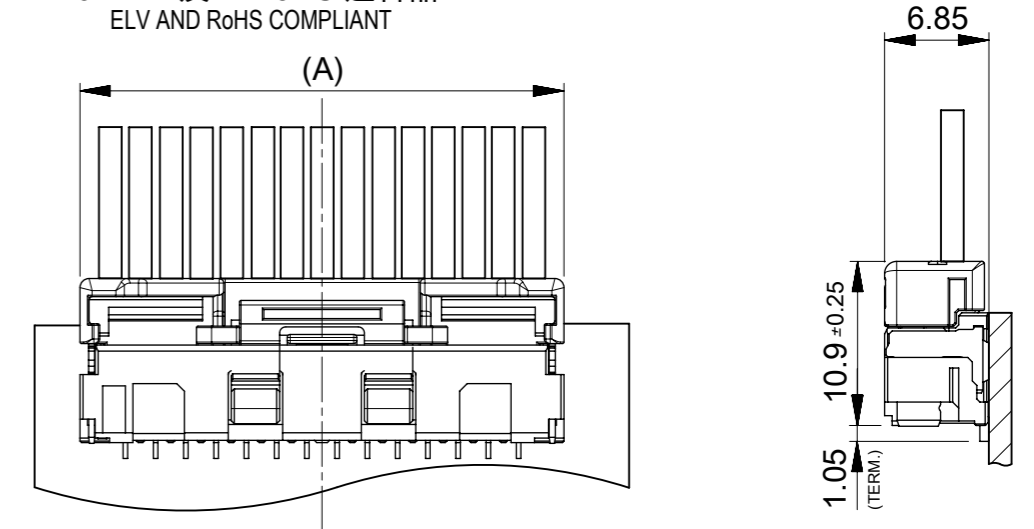
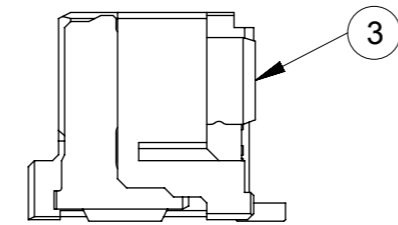
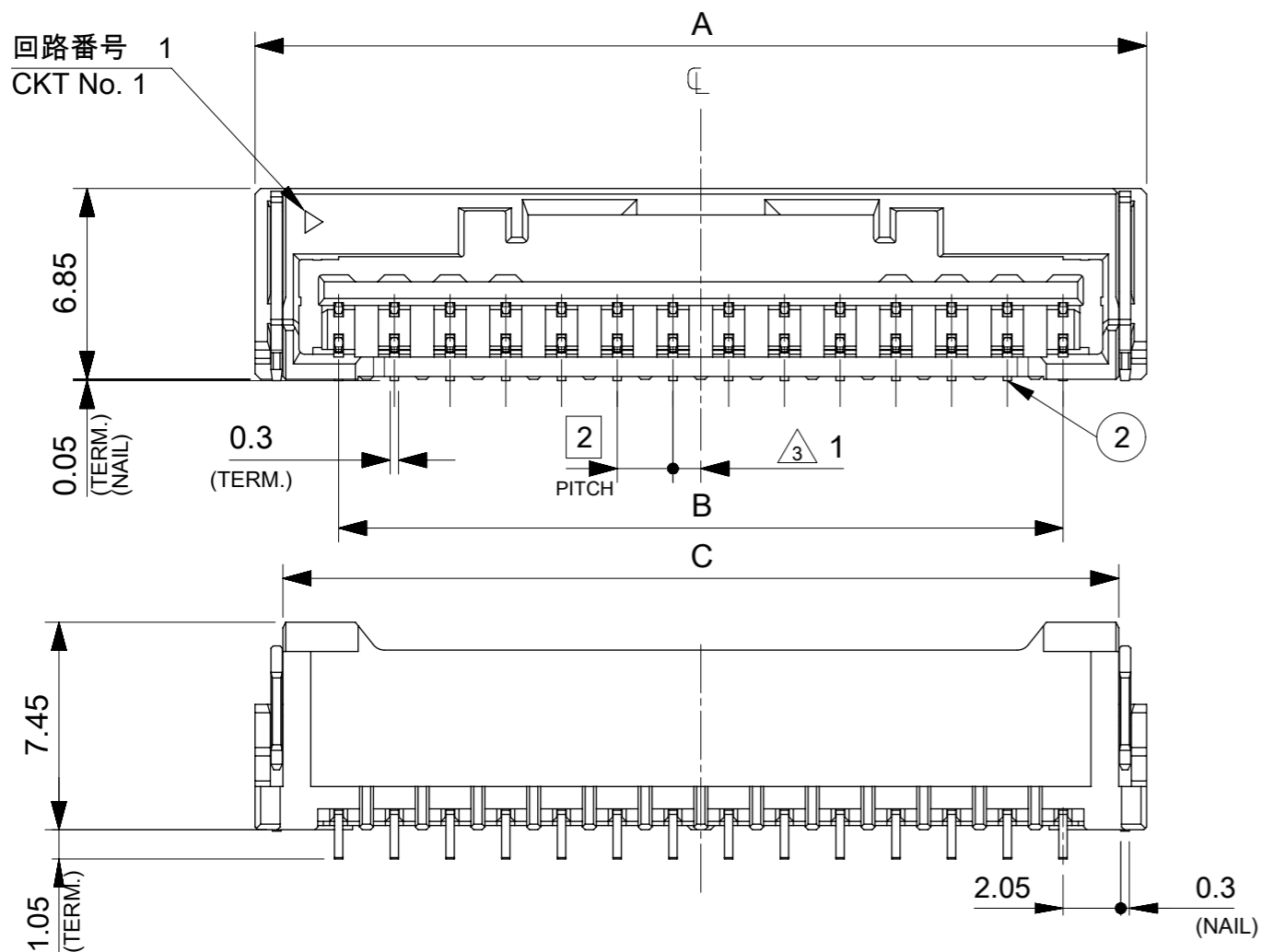
4. 端子テール部 及び ネイルに錫めっきを使用しているため、
外観に摺動痕が付く場合が御座います。
THE WOUND OF FRICTION MIGHT ADHERE TO EXTERNALS
BECAUSE THE TIN PLATING IS USED FOR THE TAIL AND NAIL.

5. 本製品のプラスチック部に黒点等が確認される場合や
色合いが異なる場合がありますが、製品性能に影響はありません。
THERE IS NO INFLUENCE IN THE PRODUCT PERFORMANCE THOUGH
THE BLACK SPOT ETC. MIGHT BE CONFIRMED TO THE PLASTIC PART
OF THIS PRODUCT AND THE SHADE MIGHT BE DIFFERENT.

6. ELV 及び RoHS 適合品
ELV AND RoHS COMPLIANT



回路番号 1
CKT No. 1



嵌合図 MATED CONNECTOR
(SCALE : 2-1)

9.2	32	28	34	502494-1570	15
5.2	30	26	32	502494-1470	14
5.2	28	24	30	502494-1370	13
5.2	26	22	28	502494-1270	12
5.2	22	18	24	502494-1070	10
5.2	18	14	20	502494-0870	8
4	14	10	16	502494-0670	6
7.6	10	6	12	502494-0470	4
4.8	8	4	10	502494-0370	3
2.8	6	2	8	502494-0270	2
D	C	B	A	EMBOSSED TAPE PACKAGE 注文番号 ORDER NO.	極数 CKT.NO.

番号 NO.	部品 PART	材質 MATERIAL
①	ハウジング HOUSING	耐熱性樹脂 UL94V-0 色 : ナチュラル HEATPROOF RESIN UL94V-0 COLOR:NATURAL
②	ターミナル TERMINAL	銅合金 COPPER ALLOY
		錫めっき : 1.0 micro-meter MIN. TIN (TAIL AREA) ニッケルめっき(下地) : 1.0micro-meter MIN. NICKEL (UNDER PLATING)
③	ネイル NAIL	銅合金 COPPER ALLOY
		錫めっき : 1.0 micro-meter MIN. TIN ニッケルめっき(下地) : 1.0micro-meter MIN. NICKEL (UNDER PLATING)

RELEASE STATUS	P1	RELEASE DATE	12.07.2016	06:58:54
----------------	----	--------------	------------	----------

THIS DRAWING CONTAINS INFORMATION THAT IS PROPRIETARY TO MOLEX ELECTRONIC TECHNOLOGIES, LLC AND SHOULD NOT BE USED WITHOUT WRITTEN PERMISSION

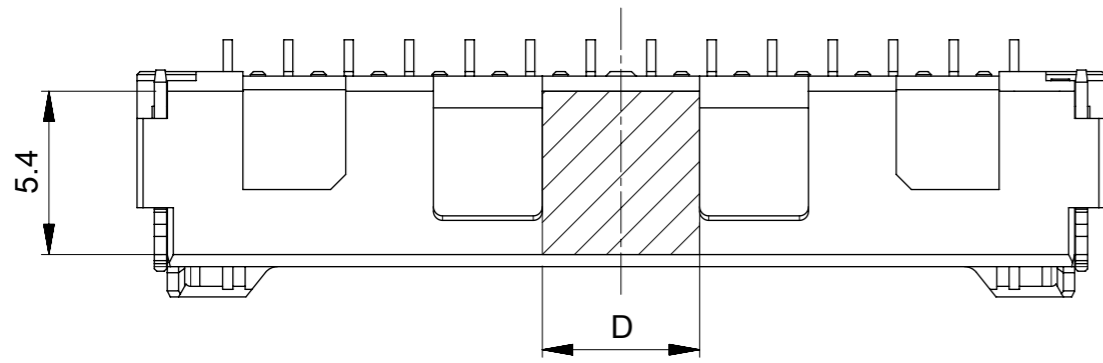
REVISED	2016/07/12	DRWN BY	QHE31	DATE	2016/04/19	
	2016/07/12	CHK'D BY	SAKIYAMA	DATE	2016/04/28	
	2016/07/12	APPR BY	TKANEKO	DATE	2016/04/28	
	EC NO. 106544	DRAWING SIZE	A3	THIRD ANGLE PROJECTION		
	B	REV	DRAFT WHERE APPLICABLE MUST REMAIN WITHIN DIMENSIONS			

molex[®]

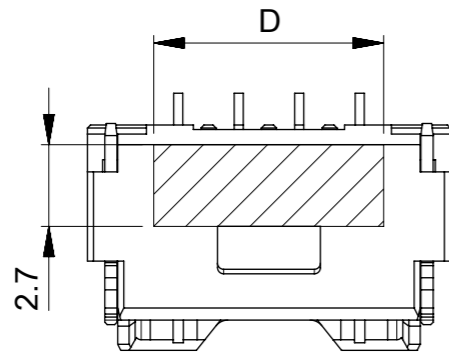
CLIK-MATE 2.0MM PITCH
W/B CONN. RA TYPE REC. ASSY 2-15CKT

PRODUCT CUSTOMER DRAWING

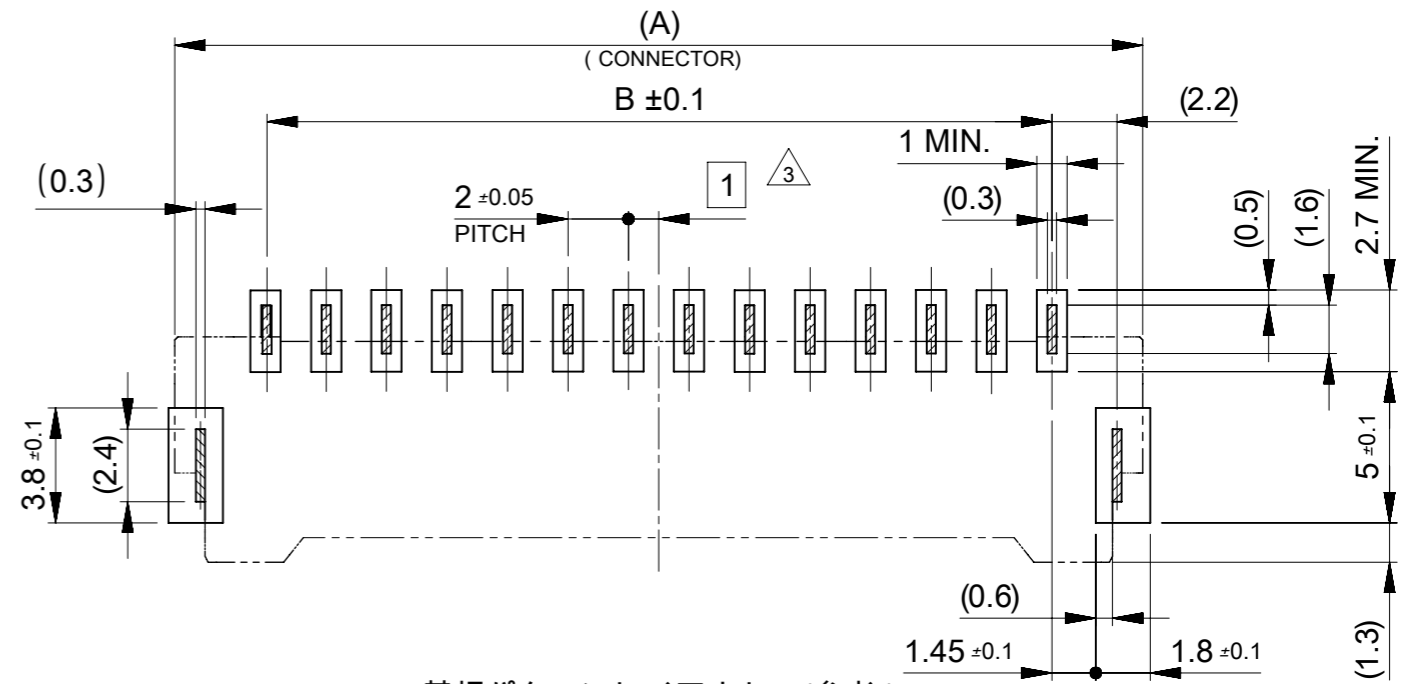
SERIES	MATERIAL NUMBER	CUSTOMER
502494	SEE TABLE	GENERAL
DOCUMENT NUMBER	DOC TYPE	DOC PART
5024941509	PSD	000
SHEET NUMBER		1 OF 2



吸着エリア 6~15極
VACUME AREA 6~15CKT



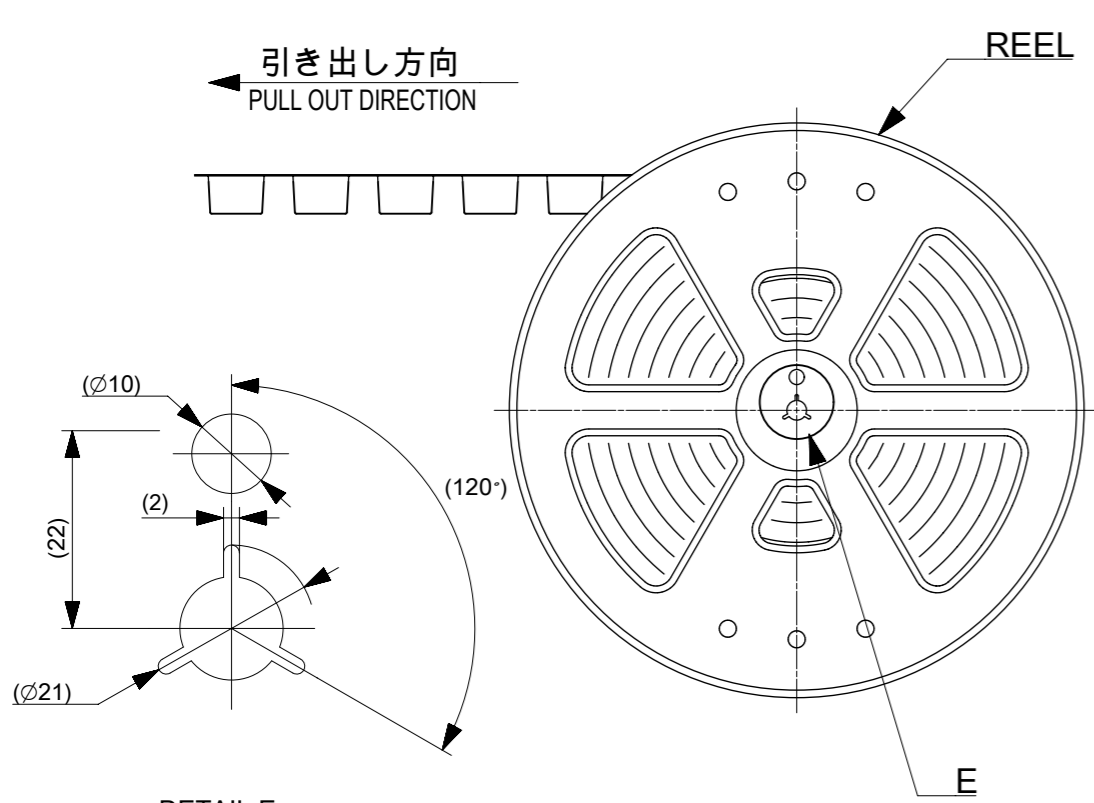
吸着エリア 2~4極
VACUME AREA 2~4CKT



基板パターンレイアウト (参考)
RECOMMENDED P.C.B PATTERN LAYOUT (REF.)

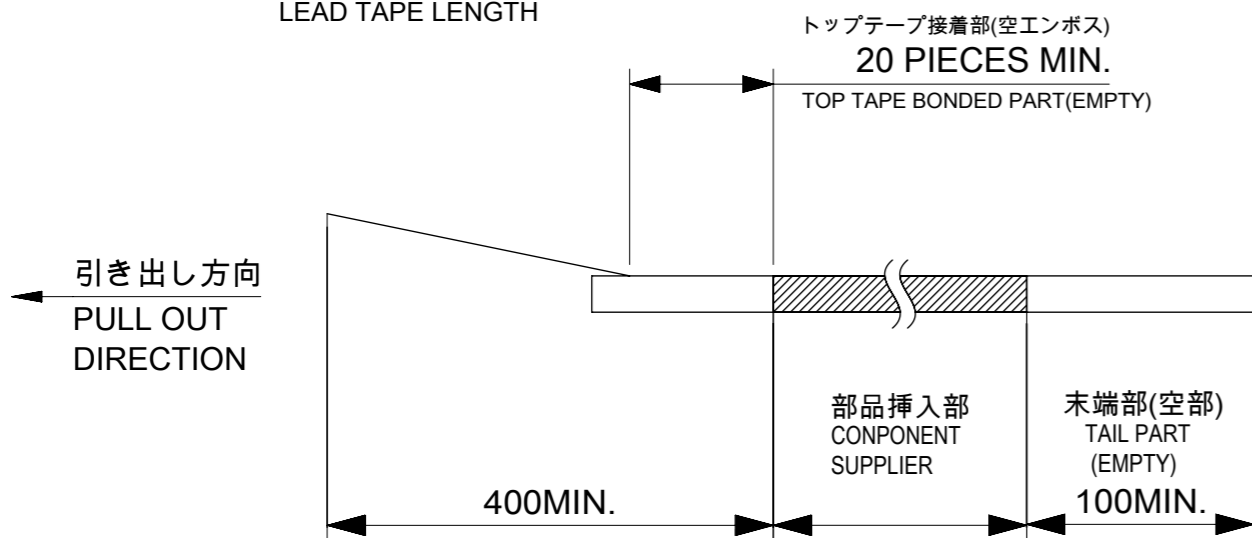
THIS DRAWING CONTAINS INFORMATION THAT IS PROPRIETARY TO MOLEX ELECTRONIC TECHNOLOGIES, LLC AND SHOULD NOT BE USED WITHOUT WRITTEN PERMISSION

REVISED EC NO: 106544 DRWN: QHE31 CHK'D: SAKIYAMA APPR: TKANEKO 2016/07/12 2016/07/12 2016/07/12	GENERAL TOLERANCES (UNLESS SPECIFIED)		DIMENSION UNITS MM	SCALE 4:1									
	ANGULAR TOL ± 3.0 °		DRWN BY AISHIKAWA	DATE 2016/04/19					CLIK-MATE 2.0MM PITCH W/B CONN. RA TYPE REC. ASSY 2-15CKT				
	4 PLACES ± 0.2	3 PLACES ± 0.2	2 PLACES ± 0.2	1 PLACE ± 0.2	0 PLACES ± 0.2	CHK'D BY KOMURAKAMI		DATE 2016/04/28		PRODUCT CUSTOMER DRAWING			
	DRAFT WHERE APPLICABLE MUST REMAIN WITHIN DIMENSIONS					APPR BY TKANEKO	DATE 2016/04/28			SERIES 502494	MATERIAL NUMBER SEE TABLE	CUSTOMER GENERAL	
	DRAWING SIZE A3		THIRD ANGLE PROJECTION 			DOCUMENT NUMBER 5024941509		DOC TYPE PSD	DOC PART 000	SHEET NUMBER 2 OF 2			
	RELEASE STATUS P1		RELEASE DATE 12.07.2016		06:58:54								



NOTE

- 製品詳細寸法については、5024941509PSD000を参照下さい。
PLEASE REFER TO 5024941509PSD000 FOR THE DETAILED DIMENSION OF THE CONNECTOR.
- 梱包数量：950個 / リール。
NUMBER OF CONNECTORS : 950 PIECES/REEL
- リードテープ長さ
LEAD TAPE LENGTH

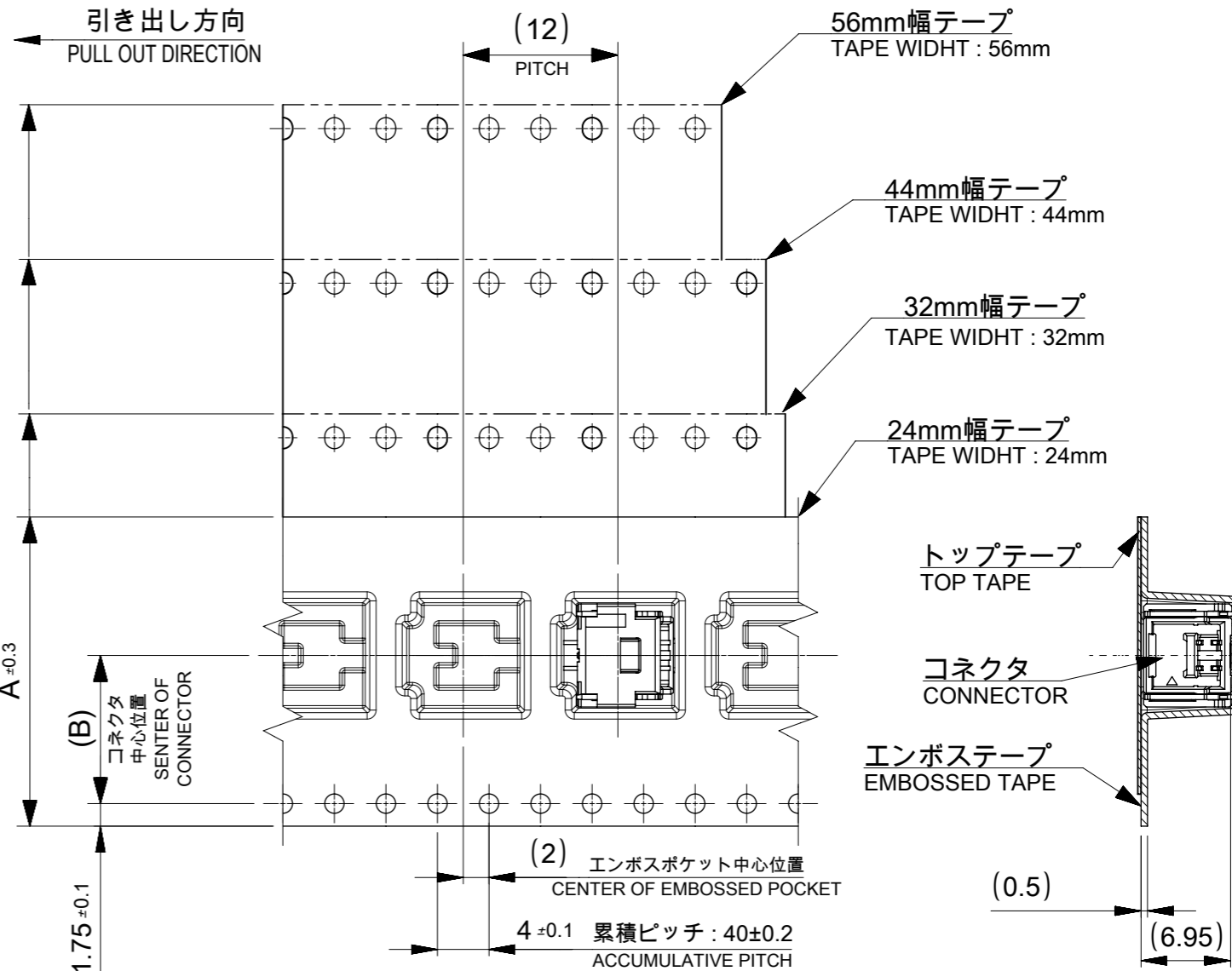


4. 材料

MATERIAL
 キャリアテープ : ポリスチレン
 CARRIER TAPE : POLYSTYRENE
 トップテープ : ポリエステル、ポリエチレン、ポリエチレンテレフタレート
 TOP TAPE : POLYESTER, POLYETHELENE, POLYETHYLENE TEREPHTHALATE
 リール : ポリスチレン <リサイクル材を含む>
 REEL : POLYSTYRENE <RECYCLE MATERIAL CONTAINED>

5. ELV 及び RoHS適合品

ELV AND RoHS COMPLIANT



57.5	26.2	56	502494-1570	15
57.5	26.2	56	502494-1470	14
45.5	20.2	44	502494-1370	13
45.5	20.2	44	502494-1270	12
45.5	20.2	44	502494-1070	10
45.5	20.2	44	502494-0870	8
33.5	14.2	32	502494-0670	6
25.5	11.5	24	502494-0470	4
25.5	11.5	24	502494-0370	3
25.5	11.5	24	502494-0270	2

C	B	エンボステープ幅A WIDTH OF TAPE	製品番号 MATERIAL NO.	極数 CKT. NO.
---	---	----------------------------	----------------------	----------------

QUALITY SYMBOLS ▽A = 0 ▽E = 0 ▽F = 0 ▼ = 0 ▽C = 0 ⊠ = 0 ■ = 0 ▽ = 0	THIS DRAWING CONTAINS INFORMATION THAT IS PROPRIETARY TO MOLEX ELECTRONIC TECHNOLOGIES, LLC AND SHOULD NOT BE USED WITHOUT WRITTEN PERMISSION				molex CLIK-MATE 2.0MM PITCH W/B CONN. EMBOSSED TAPE PACKAGE FOR 502494	
	REDRAWN AND REVISED EC NO: 104566 DRWN: AISHIKAWA CHK'D: KOMURAKAMI REV APPR: TKANEKO	2016/04/19 2016/04/28 2016/04/28	GENERAL TOLERANCES (UNLESS SPECIFIED) ANGULAR TOL ± 3.0 ° 4 PLACES ± 0.2 3 PLACES ± 0.2 2 PLACES ± 0.2 1 PLACE ± 0.2 0 PLACES ± 0.2	DIMENSION UNITS MM SCALE NTS		
			DRAFT WHERE APPLICABLE MUST REMAIN WITHIN DIMENSIONS	DRAWING SIZE A3	DATE 2016/04/28	
					APPR BY TKANEKO DATE 2016/04/28	
			PRODUCT CUSTOMER DRAWING			
		DRAWING SIZE A3		THIRD ANGLE PROJECTION		
RELEASE STATUS P1		RELEASE DATE 28.04.2016 09:56:11		SERIES 502494		
				MATERIAL NUMBER SEE TABLE		
				CUSTOMER GENERAL		
				DOCUMENT NUMBER 5024941570		
				DOC TYPE PSD		
				DOC PART 000		
				SHEET NUMBER 1 OF 1		