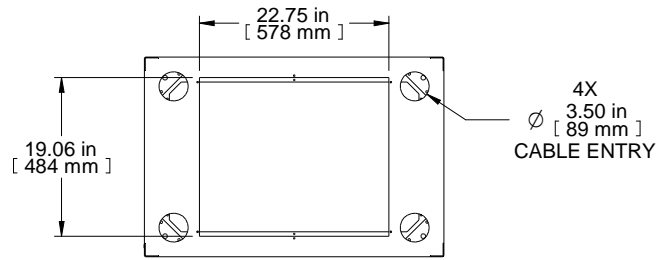
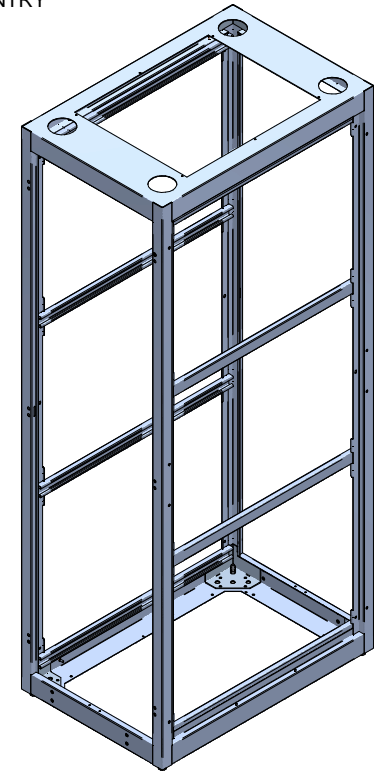


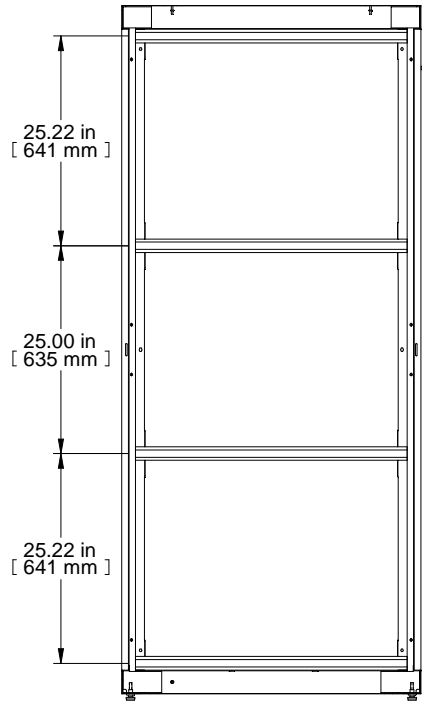
SECTION C-C



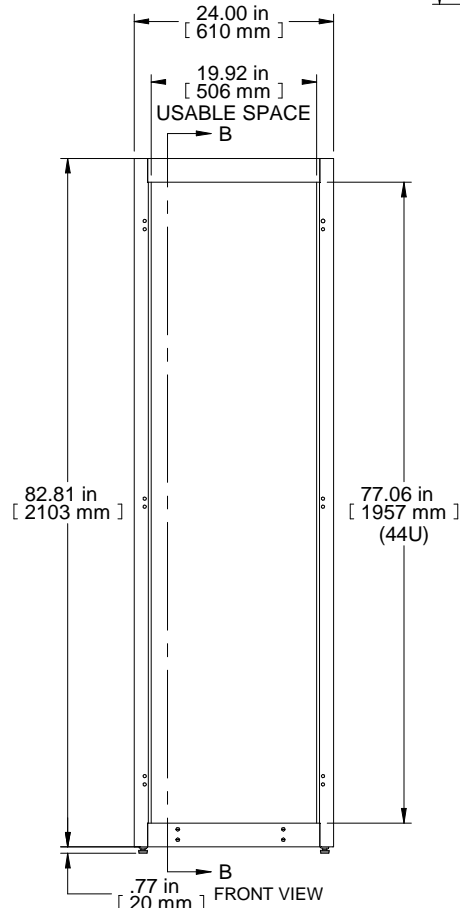
TOP VIEW
TOP OPENING



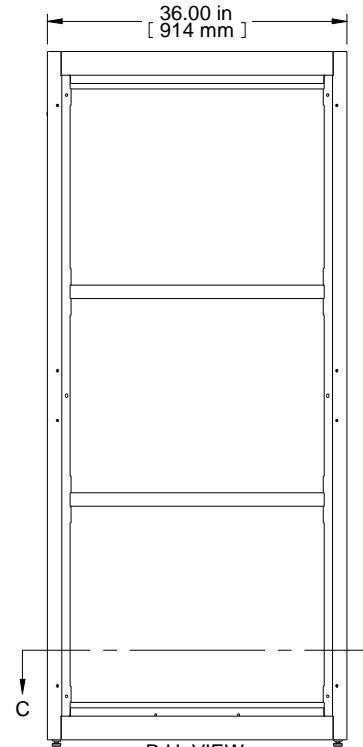
ISOMETRIC



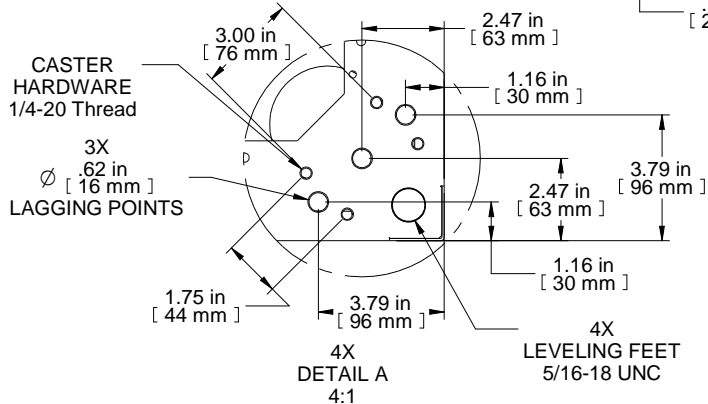
SECTION B-B



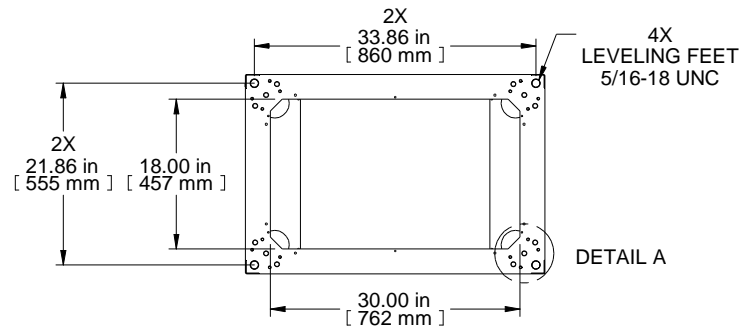
FRONT VIEW



R.H. VIEW



DETAIL A
4:1



BOTTOM VIEW
BOTTOM OPENING

| PART NUMBERS | |
|--|---|
| C4F247736BK1 | PAINTED BLACK TEXTURE |
| NOTES | |
| Welded Assembly. Cable entry plugs included. See Hammond Website for Frame Accessories. | |
| Français | |
| Pour tous les détails sur nos produits, svp veuillez consulter notre site www.hammondmfg.com | |
| Data subject to change without notice. Isometric drawing not to scale. Les données sont sujettes à changement sans préavis. | |
|  | HAMMOND MANUFACTURING® www.hammondmfg.com |
| PART NO. C4F247736 | |