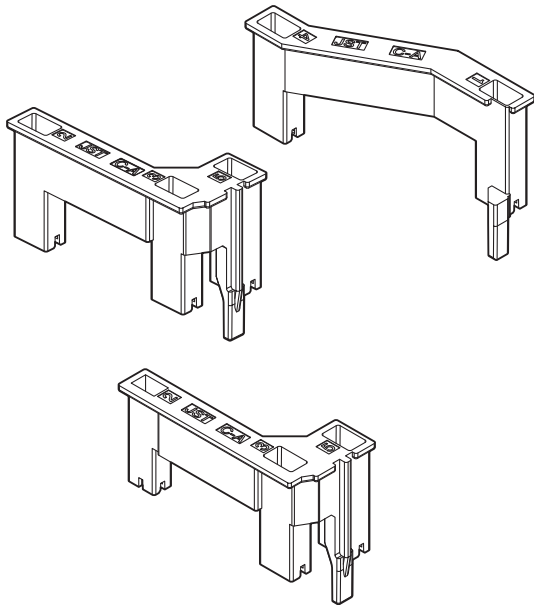




IS CONNECTOR

Connectors for Infinite Switch



- **Easy insertion, positive locking**

The combination of terminal and housing allows easy mating to a male tab. Un-mating is equally easy. Simply hold the housing and pull. The contact locking spring is depressed by the taper inside the housing. The locking mechanism prevents accidental disengagement of the contact from the mating tab.

- **Ultra low insertion force**

The contact is designed as a low insertion force with a large contact area to give stable performance, even when high current is applied.

- **Contact back out preventive design**

Innovative contact and housing design eliminates contact back out caused due to damaged locking lances during termination and harness assembly.

- **Polarizing rib**

Polarizing ribs in the housing eliminate miss mating of the housings.

Specifications

- Current rating: 20A AC, DC max. (AWG #12)
- Voltage rating: 250V AC, DC max.
- Temperature range: -40°C to +105°C
(including temperature rise in applying electrical current)
- Contact resistance: Initial value/ 3m Ω max.
After environmental testing/ 6m Ω max.
- Insulation resistance: 1,000M Ω min.
- Withstanding voltage: 2,000V AC/minute
- Applicable wire: AWG #22 to #12
- Applicable tab: 0.8mm thick

* Compliant with RoHS.

* Refer to "General Instruction and Notice when using Terminals and Connectors" at the end of this catalog.

* Contact JST for details.

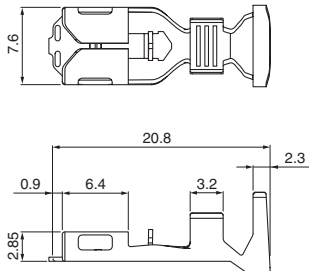
Standards

Recognized E60389

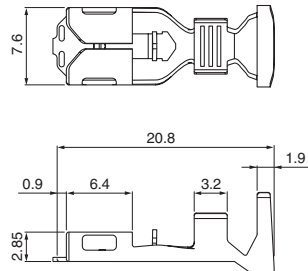
Contact

SRSF Series

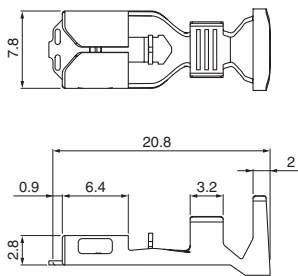
SRSF-21()-250A



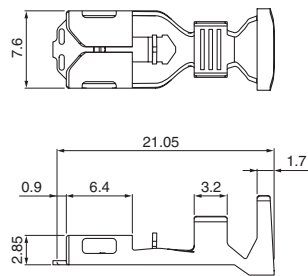
SRSF-61()-250A



SRSF-91-250A

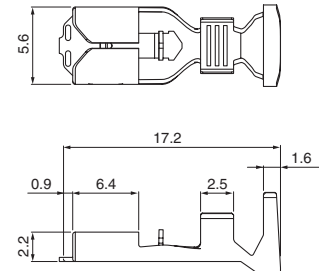


<Double wire crimp> SRSF-82()-250A



SPS Series

SPS-51T-187-8



Contact

Model No.	Applicable wire		Insulation O.D.(mm)	Material	Surface finish	Qty / reel
	mm ²	AWG #				
SRSF-21-250A	0.32~0.82	22~18	2.5~3.0	Barss	—	5,000
SRSF-21T-250A					Tin-plated	
SRSF-61-250A	0.82~2.08	18~14	3.0~3.9	Barss	—	5,000
SRSF-61T-250A					Tin-plated	
SRSF-91-250A	2.08~3.30	14~12	3.9~4.4	Barss	—	5,000
SRSF-82-250A	0.82+0.82, 1.31+1.31, 1.31+0.52, 1.31+2.08	18+18, 16+16, 16+20, 16+14	3.0+3.0, 3.4+3.4, 3.4+2.5, 3.4+3.9	Barss	—	5,000
SRSF-82T-250A					Tin-plated	
SPS-51T-187-8	0.52~2.0, 0.52+0.52	20~14, 20+20	1.9~3.6, 2.54+2.54	Barss	Tin-plated	7,500

RoHS compliance

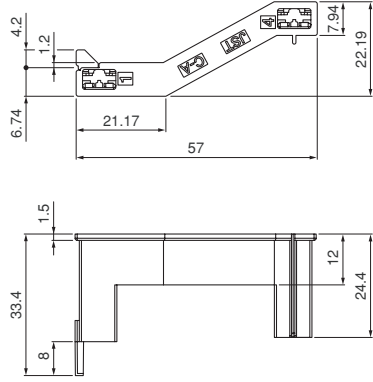
Contact	Applicator	
	Crimp applicator	Dies set
SRSF-21()-250A	MK-L-SPS	MKDSSPS21250
SRSF-61()-250A		MKDSSPS61250
SRSF-91-250A		MKDSSRSF82250A
SRSF-82()-250A		MKDSSPS91250
SPS-51T-187-8		MK/SPS-51-187

RoHS compliance

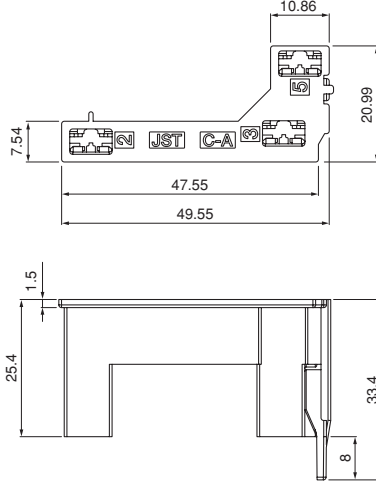
IS CONNECTOR

Housing

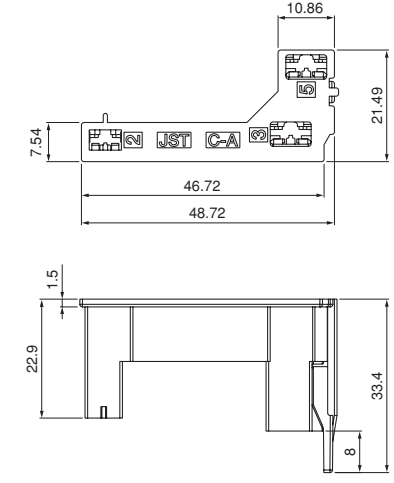
SRSF Series
RSFP-IS-2V-250



RSFP-IS-3V-250



SRSF/SPS Series
RSFP-IS-3VB-250-187-8



Series	Circuits	Model No	Q'ty / box	Applicable Contact
SRSF	2	RSFP-IS-2V-250	1,000	SRSF-21()-250A, SRSF-61()-250A, SRSF-91-250A, SRSF-82()-250A
	3	RSFP-IS-3V-250	800	
SRSF & SPS	3	RSFP-IS-3VB-250-187-8	800	SRSF-21()-250A, SRSF-61()-250A, SRSF-91-250A, SRSF-82()-250A, SPS-51T-187-8

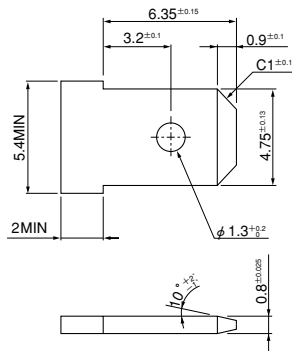
Material

Glass-filled PBT, UL94V-0

RoHS compliance

Applicable tab

#187
(for 0.8mm thick tabs)



#250
(for 0.8mm thick tabs)

