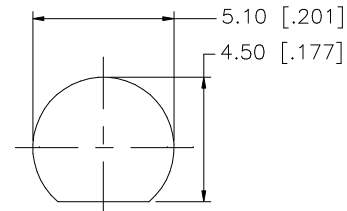
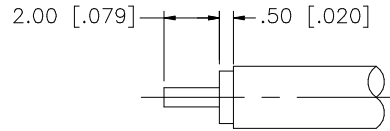


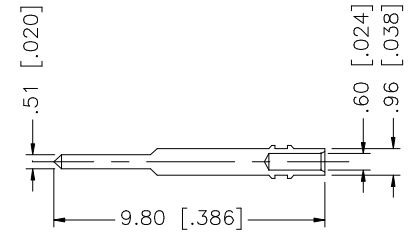
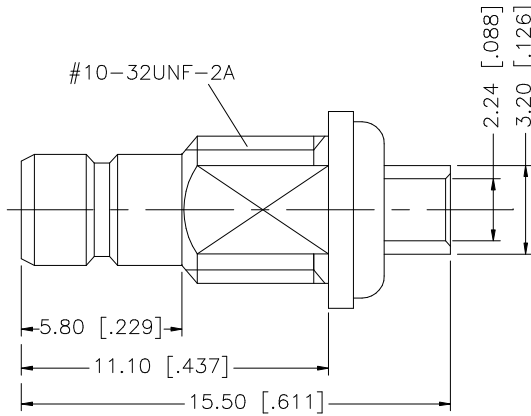
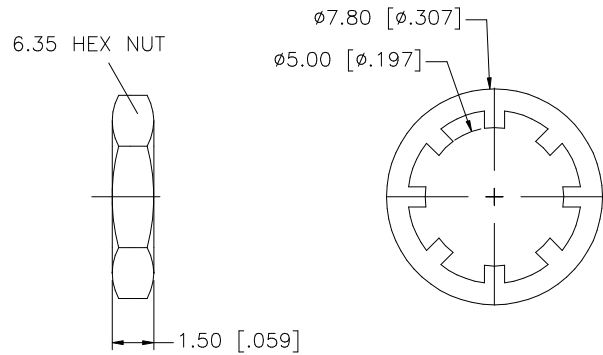
REV.	DATE	DESCRIPTION
A	01/25/04	UPDATE DRAWING FORMAT



RECOMMENDED MOUNTING HOLE



RECOMMENDED CABLE STRIPPING DIM'S



NOTE:

- CONTACT PIN TO SOLDER OR CRIMPED CONTACT PIN SQ. CRIMP SIZE 0.7(mm)
- MAX. PANEL THICKNESS = 2.4mm

REV.	DATE	DESCRIPTION
A	01/25/04	UPDATE DRAWING FORMAT
8		
7		
6		
5	HEX NUT	BRASS GOLD 1
4	LOCK WASHER	BRASS GOLD 1
3	CONTACT PIN	BRASS GOLD 1
2	INSULATOR	TEFLON NATURAL 2
1	BODY	BRASS GOLD 1
DESCRIPTION	MATERIAL	FINISH QTY
<small>UNLESS OTHERWISE SPECIFIED DIMENSIONS ARE IN MILLIMETERS. DIMENSIONS IN [ ] ARE IN INCHES AND FOR CUSTOMER REFERENCE ONLY.</small> <small>UNLESS OTHERWISE SPECIFIED TOLERANCES FOR MILLIMETERS ARE:  0.5 - 8mm ± 0.20mm  8 - 30mm ± 0.40mm  30 - 120mm ± 0.50mm</small> <small>UNLESS OTHERWISE SPECIFIED TOLERANCES FOR INCHES ARE:  .020 - .315 = ± 0.007"  .315 - 1.180 = ± 0.015"  1.180 - 4.724 = ± 0.020"</small>		
DO NOT SCALE DRAWING		
APPROVALS	DATE	<h1 style="color: blue; margin: 0;">Amphenol Connex</h1>
DRAWN G.R.S.	01/25/04	
CHECKED		
ISSUED		
SHEET 1 OF 1		
PART DESCRIPTION		<b>SMB BULKHEAD DIRECT SOLDER JACK (FOR 0.85", 0.86" CABLE)</b>
PART NO.		
142301		
DWG. NO.	142301.DWG	REV. A
SIZE	A	SCALE NA
CAD FILE C:/142/142301.DWG		