

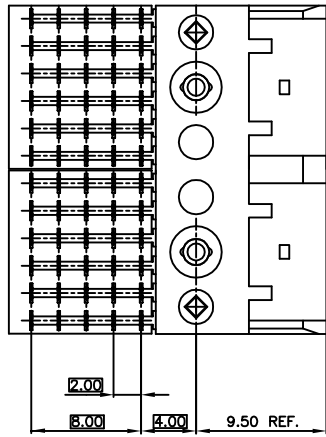
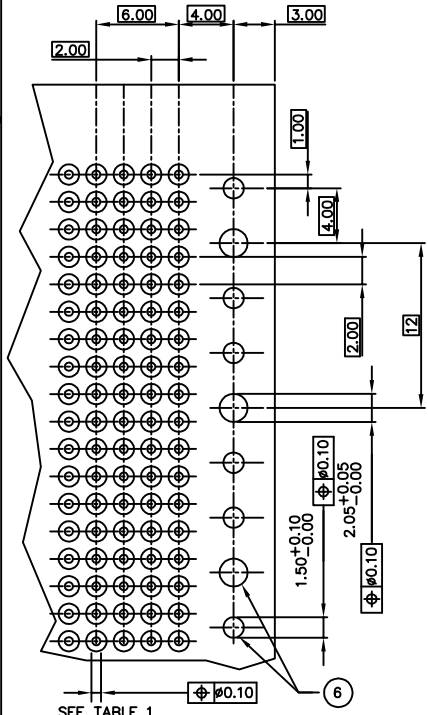
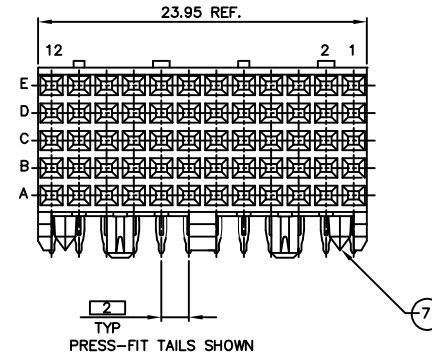
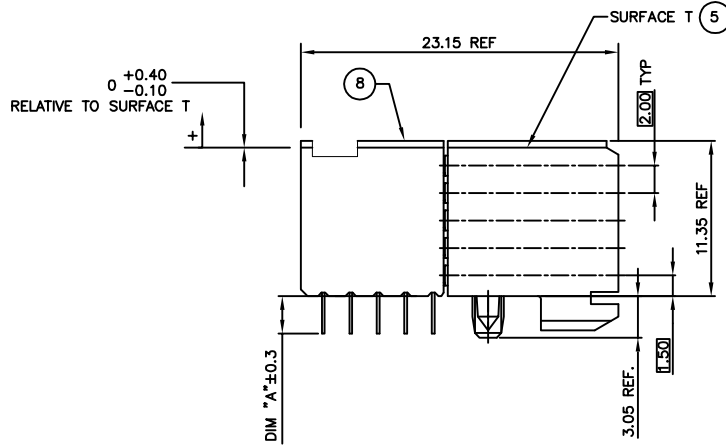
Tous droits strictement réservés. Reproduction ou communication a des tiers interdite sous quelque forme que ce soit sans autorisation écrite du propriétaire. Propriété de c FCI. Droits de reproduction FCI.



All rights strictly reserved. Reproduction or issue to third parties in any form whatever is not permitted without written authority from the proprietor. Property of FCI. Copyright FCI.

PRODUCT NUMBER	PEG TYPE	TAIL TYPE	TAIL LGTH. DIM "A"	PCB THICKNESS	LOADING CONFIGURATION
89093-X02	PRESS	PRESS-FIT	2.90	1.6	FULLY LOADED
89093-X12	PRESS	PRESS-FIT	3.53	2.4	FULLY LOADED
89093-X02LF	PRESS	PRESS-FIT	2.90	1.6	FULLY LOADED
89093-X12LF	PRESS	PRESS-FIT	3.53	2.4	FULLY LOADED

PLATING CONTACT AREA:	
DASH NR:	PERFORMANCE LEVEL
-1YY/1YYLF	TELCORDIA CO
-2YY/2YYLF	CUSTOMER SPECIAL
-3YY/3YYLF	CUSTOMER SPECIAL



HOLE DIAMETER AFTER PLATING	0.65-0.80
DRILLED HOLE	0.81-0.86 (0.85 DRILL)
COPPER PLATING	0.025 - 0.05
SnPb PLATING	0.005-0.015

- NOTES:
- CONNECTOR MATERIALS:
HOUSING: LCP, 30% GLASS FILLED, UL 94-V0 COMPLIANT
TERMINAL: PHOSPHOR BRONZE ALLOY
 - TAIL PLATING:
PRESS-FIT TYPE: 0.5-1.5 um TIN LEAD
 - PRODUCT SPECIFICATION:
GS-12-002
 - APPLICATION SPECIFICATIONS:
BUS-20-061
GS-20-001
TA-941
 - PRODUCT MARKING: (PART NUMBER & LOT CODE).
 - INDICATED HOLES ARE UNPLATED.
 - DIAMOND LOCATION PEG ARE ONLY EXISTED ON THE BOTH SIDES OF PRODUCT.
 - TOP SURFACE OF PRESS BLOCK MAY EXTEND UP TO 0.4MM HIGHER THAN HOUSING, THIS MAY AFFECT THE TAIL LENGTH BEFORE APPLICATION TO A BOARD.
 - THESE PRODUCTS WHERE THE PART NUMBER ENDS IN "LF" MEET THE EUROPEAN UNION DIRECTIVES AND OTHER COUNTRY REGULATIONS AS DESCRIBED IN GS-22-008.
- ALL PRODUCTS WILL WITHSTAND EXPOSURE TO 240°C FOR 60 SECONDS IN A CONVECTION, INFAR-RED OR VAPOR PHASE REFLOW OVEN.
10. FOR LEAD FREE PART NUMBERS ADD "LF" SUFFIX. EXAMPLE: 89093-XYLF.

RECOMMENDED PC BOARD LAYOUT, COMPONENT SIDE.

mat'l. code				tolerances unless otherwise specified				CUSTOMER COPY		www.fciconnect.com	
NOTE 1											
ltr	ecn no	dr	date	linear				projection	title		
N	DG06-0510	Cenh	12/06/06						B SERIES R/A SIGNAL RECEPT ASSY, 5 ROW, 2 MOD, PF		
P	DG07-0168	Cenh	05/10/07	angles					product family METRAL code 213		
R	DG08-0171	TER	8/26/08						size		sheet 1 of 1
S	DG09-0068	Cenh	06/06/09	dr	C. DAILY	06/18/02	MM		89093		
L	V05-0074	LP	4/12/05	enrg	M. GRAY	06/18/02	scale 1:1	A			
M	J05-0320	TAB	6/08/05	chr	M. GRAY	06/18/02					
		appd		M. GRAY	06/18/02						
sheet index	revision sheet	S	1								

cage code 22526

ACAD

PDM: Rev:S

STATUS: Released

Printed: May 19, 2011