

4

3

2

1

THIS DRAWING IS UNPUBLISHED.

RELEASED FOR PUBLICATION

© COPYRIGHT

ALL RIGHTS RESERVED.

LOC

DIST


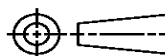
REVISIONS

P	LTR	DESCRIPTION	DATE	DWN	APVD

REPLACED BY OCEAN STYLE APPLICATOR PART NUMBER

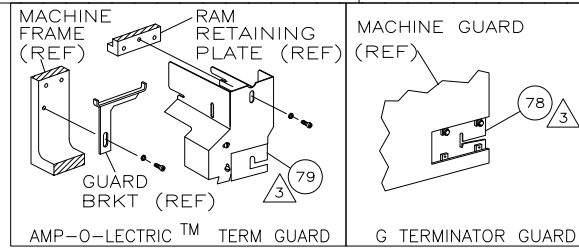
FOR REPLACEMENT PARTS FOR APPLICATOR REFER TO ADDITIONAL PAGE(S). SPARE PARTS KIT (IF LISTED) WILL REMAIN AVAILABLE.

THE REPLACEMENT OCEAN STYLE APPLICATOR HAS THE SAME TERMINATOR/PRESS INTERFACE AS APPLICATOR

THIS DRAWING IS A CONTROLLED DOCUMENT.		DWN	 TE Connectivity			
DIMENSIONS:		CHK				
		APVD	NAME			
TOLERANCES UNLESS OTHERWISE SPECIFIED:		PRODUCT SPEC	APPLICATION SPEC			
0 PLC ± 1 PLC ± 2 PLC ± 3 PLC ± 4 PLC ± ANGLES ±		WEIGHT	SIZE	CAGE CODE	DRAWING NO	RESTRICTED TO
MATERIAL	FINISH		A3		C-	
		SCALE	SHEET	OF	REV	

THIS DRAWING IS UNPUBLISHED. RELEASED FOR PUBLICATION
 BY TYCO ELECTRONICS CORPORATION. ALL RIGHTS RESERVED.

PART NUMBER	REV	FIRST USED
1385896-1	B	122500-1
1385896-2	B	565435-5
1385896-3	B	354500-1
7-1385896-7	B	-



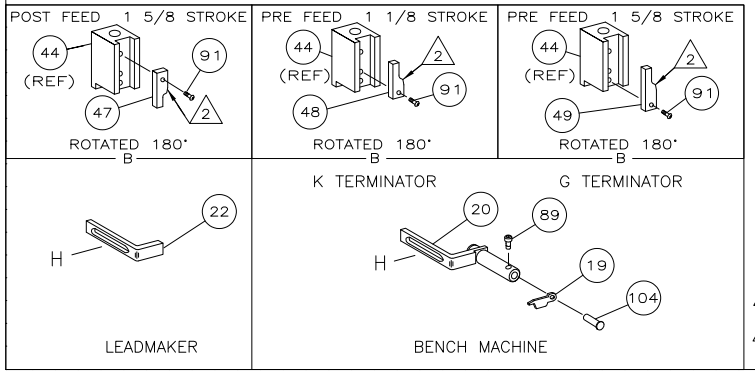
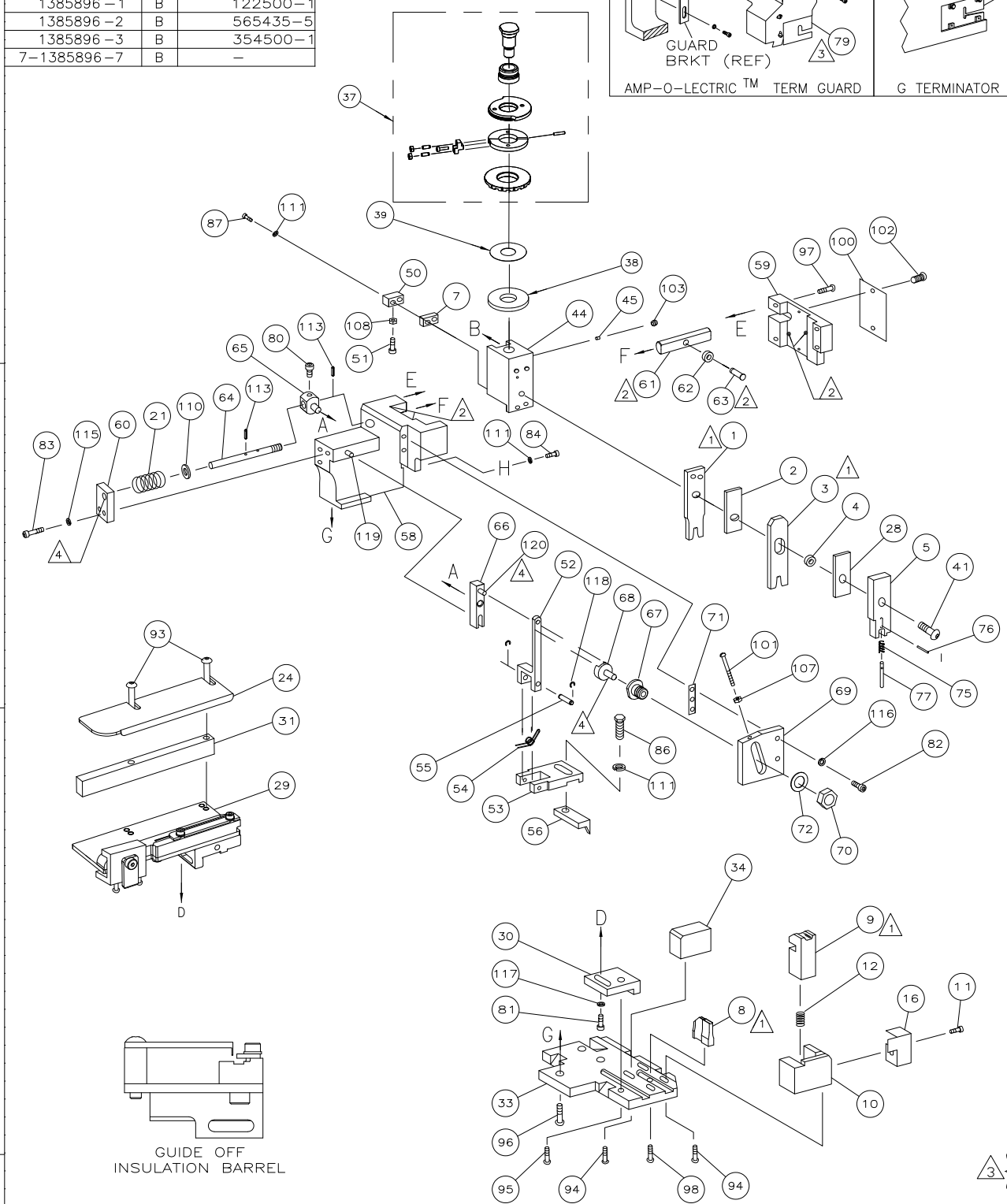
TERMINAL NAME: .070 SERIES RECEPTACLE		AMP TERMINAL	AMP CRIMP SPECS		
PIN	SOCKET	CRIMP HEIGHT	WIRE SIZE		
173645	173631	C-0	1.52 ±0.05mm [.060 ±.002]		
175191	345208	D-1	1.37 ±0.05mm [.054 ±.002]		
345212	345261-1	E-0	1.25 ±0.05mm [.049 ±.002]		
345263					
776129-6					
776129-2					
		NOT USED			
CRIMP	SIZE	TYPE	RANGE		
WIRE	2.29mm [.090]	F	0.5-1.25mm²		
INSUL	2.6mm [1.00]	F	Ø 2.0-2.6mm		
WIRE STRIP LENGTH	TERM APPL SPEC	FEED	APPL INSTRUCTION	SET UP GAGE	LAYOUT
4.9-5.5mm	114-5091	11.9mm[.468]	408-8040	458637-1	11382

LOC	DIST	REVISIONS	
A	66	DESCRIPTION	DATE
		B1	4-2008
		MY	TE

REV	DESCRIPTION
-1	LEADMAKER
-2	BENCH MODEL K
-3	BENCH MODEL G
-77	SPARE PARTS KIT

REV	DESCRIPTION	QTY	ITEM NO
-	REF REF REF	-	22594-8
-	REF REF REF	-	240628-1
-	REF REF REF	-	240626-1
-	REF REF REF	-	240633-1
-	REF REF REF	-	455680-1
-	REF REF REF	-	240629-1
-	REF REF REF	-	240632-2
-	REF REF REF	-	240659-3
-	REF REF REF	-	240658-1
-	REF REF REF	-	454398-2
-	REF REF REF	-	454178-1
-	REF REF REF	-	454220-1
-	REF REF REF	-	454485-1
-	1 1 1	-	458537-2
-	REF REF REF	-	240624-1
-	REF REF REF	-	691499-1
-	REF REF REF	-	690541-1
-	REF REF REF	-	455679-2
-	1 1 1	-	811242-2
-	1 1 1	-	690753-1
-	1 - -	-	690602-6
-	- 1 -	-	690602-5
-	- - 1	-	690501-4
-	1 1 1	-	459456-2
-	1 1 1	-	690191-1
-	1 1 1	-	455673-1
-	1 1 1	-	7-21002-9
-	1 1 1	-	690125-1
-	1 1 1	-	469367-1
-	1 1 1	-	879103-2
-	1 1 1	-	690786-1
-	REF REF REF	-	455675-1
-	1 1 1	-	1320908-8
-	REF REF REF	-	455689-1
-	1 1 1	-	1633091-1
-	1 1 1	-	455888-9
-	1 1 1	-	1320928-3
-	- - 1	-	690472-2
-	REF REF REF	-	4-22284-9
-	1 1 -	-	679218-1
-	1 1 -	-	458949-1
-	1 1 1	-	691667-1
-	1 1 1	-	5-22280-0
-	1 1 1	-	690461-1
-	1 1 1	-	690459-1
-	1 1 1	-	462006-1
-	1 1 1	-	854014-1
-	1 1 1	-	5-240641-2
-	1 1 1	-	854772-1
-	1 1 1	-	238011-9
-	1 1 1	-	4-683453-7
-	1 1 1	-	455888-1
-	1 1 1	-	1-456406-8
-77	-3 -2 -1 U/M		

QTY	REQD	PER	ASSY	PART NO	DESCRIPTION	ITEM NO
-	-	-	-	129		
-	-	-	-	128		
-	-	-	-	127		
-	-	-	-	126		
-	1 1 1	-	-	217238-1	GENERAL INSTRUCTION PACKAGE	124
-	1 1 1	-	-	4088040	SF APPL INST 408-8040	123
-	-	-	-	122		
-	-	-	-	121		
-	REF REF REF	-	-	1-21030-1	PIN,DOWEL(Ø.187x.50)LEVER	120
-	REF REF REF	-	-	1-21030-6	PIN,DOWEL(Ø.187x1.25)HOUSING	119
-	REF REF REF	-	-	21045-3	RING,RET "C"(Ø.187)FD FING PIN	118
-	1 1 1	-	-	21024-5	WASHER, LOCK(#10)ADJ BLOCK	117
-	REF REF REF	-	-	21024-5	WASHER,LOCK(#10)ADJ PLATE	116
-	REF REF REF	-	-	21024-5	WASHER,LOCK(#10)FEED GDE ROD	115
-	REF REF REF	-	-	5-21028-1	PIN,SLT SPR(Ø.125x.50)ADJ ROD	113
-	-	-	-	112		
-	4 4 4	-	-	21024-4	WASHER,LOCK(#8)STRIPPER	111
-	REF REF REF	-	-	21899-4	WASHER,FLAT(Ø 5/16)SCREW ADJ	110
-	-	-	-	109		
-	1 1 1	-	-	21018-5	NUT,HEX(NO.6)HOLDDOWN	108
-	REF REF REF	-	-	21068-5	NUT,HEX(6-32)FEED ADJ	107
-	-	-	-	106		
-	1 1 -	-	-	992031-1	PIN, CLEVIS	104
-	1 1 1	-	-	21009-2	SCR,SKT SET(1/4-20x.25 LW)RAM	103
-	2 2 2	-	-	21017-2	SCR,DRIVE(#2x.19)ID PLATE	102
-	REF REF REF	-	-	6-23715-5	SCR,PAN HD(6-32x1.50)FEED ADJ	101
-	1 1 1	-	-	461264-1	PLATE, IDENTIFICATION	100
-	-	-	-	99		
-	1 1 1	-	-	22733-8	SCR,BHC(8-32x.38 LW)ANVIL	98
-	REF REF REF	-	-	2-21002-9	SCR,BHC(10-32x.75)CAP	97
-	REF REF REF	-	-	2-22733-8	SCR,BHC(1/4-20x.82)HOUSING	96
-	REF REF REF	-	-	2-21002-7	SCR,BHC(10-32x.50)SG ADJ BLOCK	95
-	4 4 4	-	-	2-21002-2	SCR,BHC(8-32x.50)TERM H DWN	94
-	2 2 2	-	-	2-21002-4	SCR,BHC(8-32x.75)R STP GDE	93
-	-	-	-	92		
-	1 1 1	-	-	1-21002-7	SCR,BHC(6-32x.38)CAM	91
-	1 1 -	-	-	7-21000-9	SCR,SHC(4-40x.19)STRIPPER	89
-	-	-	-	88		
-	2 2 2	-	-	2-21000-8	SCR,SHC(8-32x.62)	87
-	1 1 1	-	-	2-22603-0	SCR,HEX HD(8-32x.31)FEED FINGER	86
-	-	-	-	85		
-	1 1 1	-	-	2-21000-7	SCR,SHC(8-32x.50)STRIPPER	84
-	REF REF REF	-	-	3-21000-7	SCR,SHC(10-32x.75)FEED ROD GD	83
-	REF REF REF	-	-	3-21000-6	SCR,SHC(10-32x.62)FD ADJ BLK	82
-	1 1 1	-	-	3-21000-4	SCR,SHC(10-32x.38)SG ADJ BL	81
-	REF REF REF	-	-	3-21000-4	SCR,SHC(10-32x.38)PIVOT BLK	80
-	REF - -	-	-	455749-1	GUARD, WINDOW	79
-	REF - -	-	-	679532-1	INSERT, GUARD	78
-	1 1 1	-	-	854769-1	DEPRESSOR, PIN	77
-	1 1 1	-	-	21028-2	PIN, SPRING	76
-	1 1 1	-	-	1-22278-0	SPRING, HOLD DOWN	75
-	-	-	-	74		
-	-	-	-	73		
-	REF REF REF	-	-	458109-1	WASHER, SPECIAL	72
-	REF REF REF	-	-	690517-1	SPACER	71
-77	-3 -2 -1 U/M					



- 1 RECOMMENDED SPARE PARTS.
- 2 GREASE LIGHTLY.
- 3 GUARD MUST BE IN PLACE WHEN OPERATING APPLICATOR IN A BENCH MACHINE.
- 4 LUBRICATE DAILY USING NO. 20 MACHINE OIL.
- 5. ITEMS WITH QTY OF REF SPECIFIED (EXCEPT ITEMS 78 AND 79) ARE USED ON ITEM 46.
- 6 LUBRICATE REQUIRED WITH GOLD PLATED TERMINALS
- 7 ITEM 29 MUST BE ADJUSTED TO AQUIRE PROPER CUT-OFF TABS

*** WARNING:**
 ON INSTALLATION, SET WIRE DISC TO LARGEST WIRE SIZE SETTING. USE OF SETTINGS BELOW MIN REQUIRED CRIMP HEIGHT SETTING WILL CAUSE DAMAGE TO CRIMP TOOLING.

DIMENSIONS:		TOLERANCES UNLESS OTHERWISE SPECIFIED:	
INCHES	0 PLC ± .005	1 PLC ± .005	2 PLC ± .005
	3 PLC ± .005	4 PLC ± .005	ANGLES ± .005
MATERIAL		FINISH	