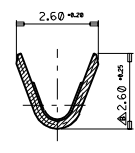
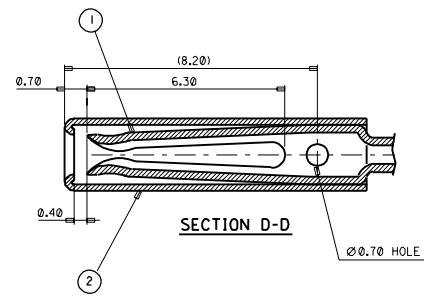


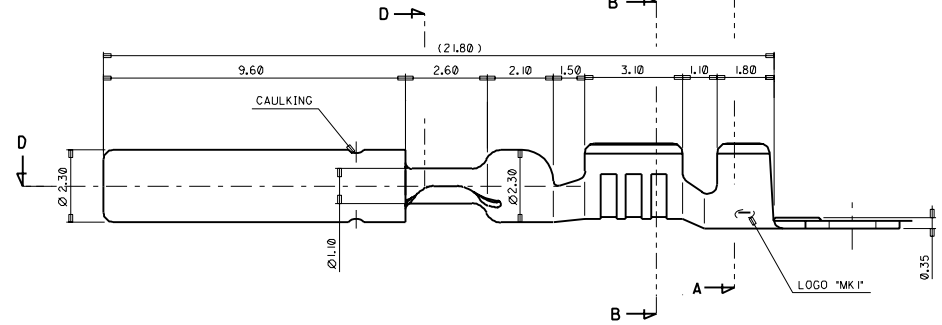
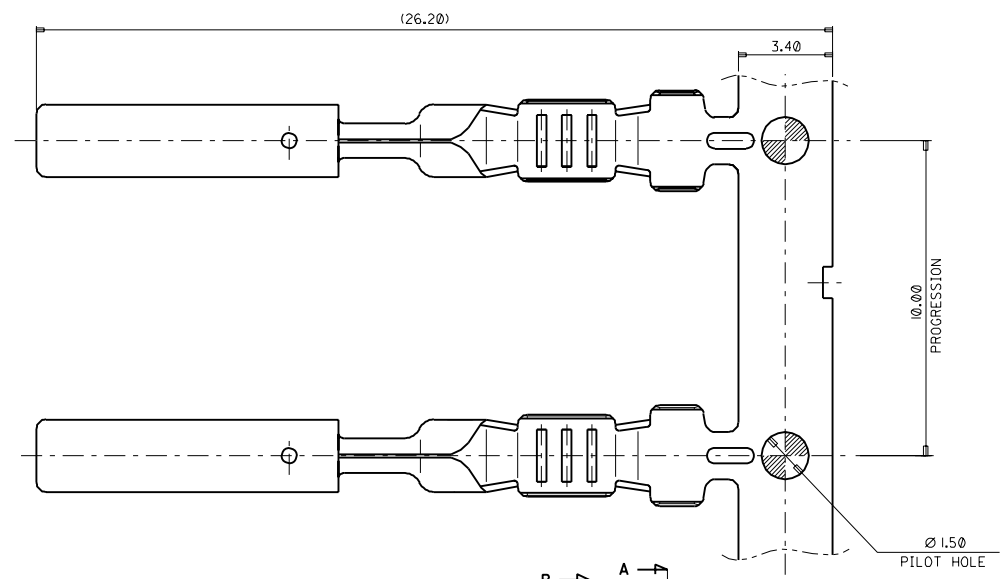
SECTION A-A



SECTION B-B



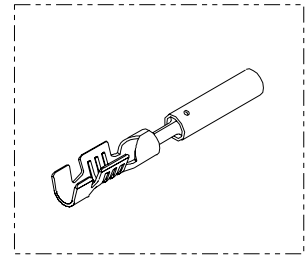
SECTION D-D



NOTE

1. RECOMMENDED LENGTH OF WIRE STRIP: 4.0-4.6.
2. FINISH: CIRCULOLOCK F/TER'L BODY(TIN PLATING), SLEEVE(TIN PLATING).
3. WIRE RANGE(mm): AVS(AVSS) 0.3 - 0.85
4. MATERIAL

NO.	ENG. NO.	PART NAME	MATERIAL
1	35402-0002	CIRCULOLOCK F/TER'L BODY	COPPER ALLOY THICKNESS 0.25
2	35401-9102	SLEEVE	BRASS (THICKNESS: 0.25)



REVISION RECORD		MATERIAL		SEE NOTE		MOLEX MOLEX-KOREA CO.,LTD.	
NO.	DATE	DESCRIPTION	ECN	DATE	DESCRIPTION	APP'D BY	SCALE
1	96.12.24	NEW RELEASED	96-132	97.02.14	ASS'Y PART	B.C.YOON	10/1
REVISION RECORD				GENERAL TOLERANCE DIMENSION ±0.30 ANGLE F		DRAWN BY	
REVISION RECORD				DIMENSION CLASSIFICATION 1: CRITICAL 2: MAJOR 3: REFERENCE		CHK'D BY	
REVISION RECORD				ASS'Y PART DESCRIPTION		TITLE: CIRCULOLOCK FEMALE TER'L	
REVISION RECORD				ASS'Y PART DESCRIPTION		SHEET	
REVISION RECORD				ASS'Y PART DESCRIPTION		REV D	
REVISION RECORD				ASS'Y PART DESCRIPTION		ENG. NO. SD35403-1002	
REVISION RECORD				ASS'Y PART DESCRIPTION		THIS DRAWING CONTAINS INFORMATION THAT IS PROPRIETARY TO MOLEX(KOREA) AND SHOULD NOT BE USED WITHOUT WRITTEN PERMISSION MX-A2(ANSI:420,580)	