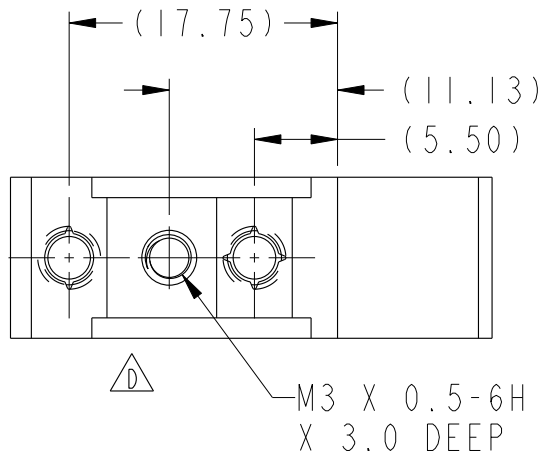
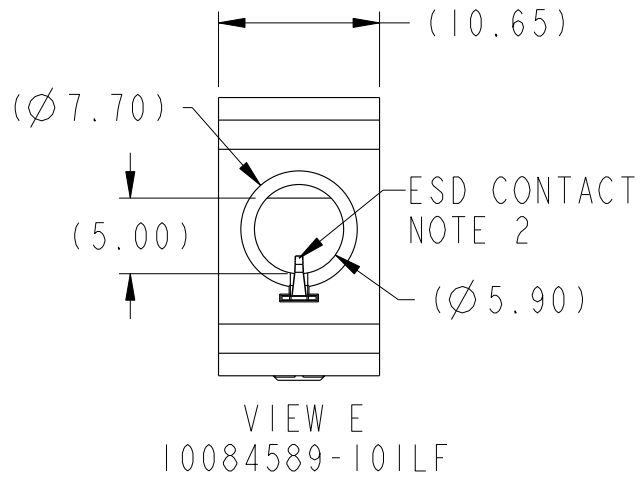
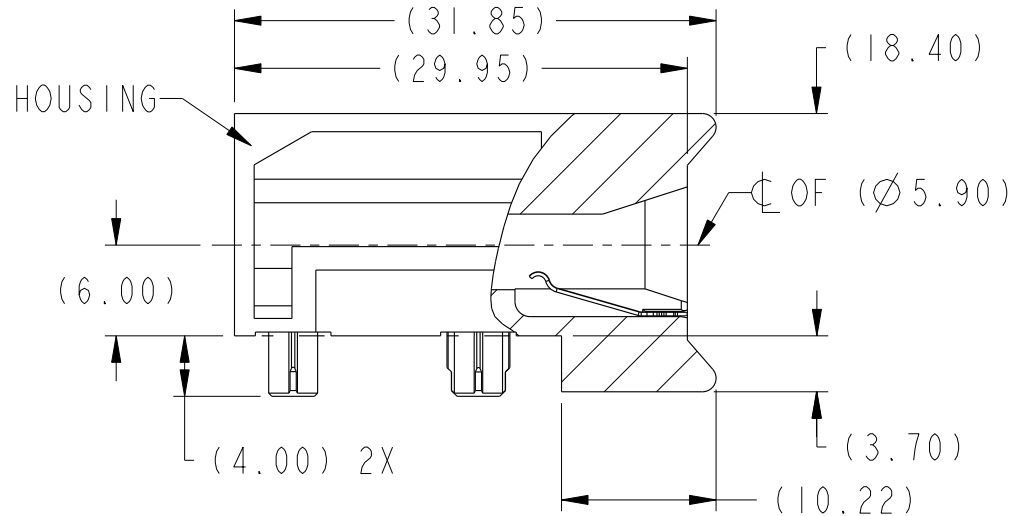




PRODUCT NUMBER	REMARKS
10084589-101LF	WITH ESD CONTACT (VIEW E)
10084589-111LF	WITHOUT ESD CONTACT (VIEW F)



Copyright FCI.


rev	ecn no	dr	date
A	S08-0174	CH	2008-06-02
B	S08-0187	CH	2008-06-13
C	S08-0192	CH	2008-06-20
D	S10-0118	YK	2010-06-02
-	-	-	-
-	-	-	-
-	-	-	-

www.fciconnect.com		surface 3.2 ASME Y14.5	tolerance std ASME Y14.5	projection MM
Dr C. H. TAN 2008-06-20		TOLERANCES UNLESS OTHERWISE SPECIFIED		size A4 Scale 1:1
Eng Y. K. LIM 2010-06-02	Chr C. H. TAN 2010-06-02	ANGULAR 0° ±2°	LINEAR 0.X ±.3 0.XX ±.10 0.XXX ±.050	ECN S10-0118
Appr JOEY NG 2010-06-02		Product family AirMax Accessories		Spec ref
 title 10.8mm GUIDE MODULE ASSY WITH KEYING OPTIONS		dwg no 10084589	Rev. D	
catalog no		CUSTOMER	sheet 1 of 3	

REV E - 2008-03-28

1

2

3

4

A

B

C

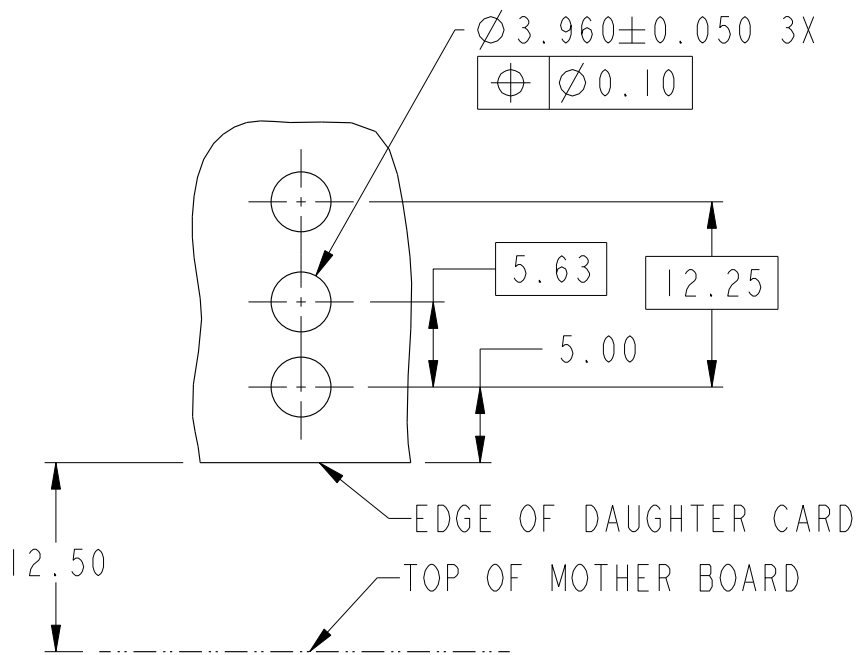
D

A

B

C

D



SCALE 2:1

RECOMMENDED PCB LAYOUT NOTES 4 & 5



Copyright FCI.

	TITLE 10.8mm GUIDE MODULE ASSY WITH KEYING OPTIONS	dwg no 10084589	Rev. D
	catalog no -	CUSTOMER	sheet 2 of 3

1

2

3

4

A

B

C

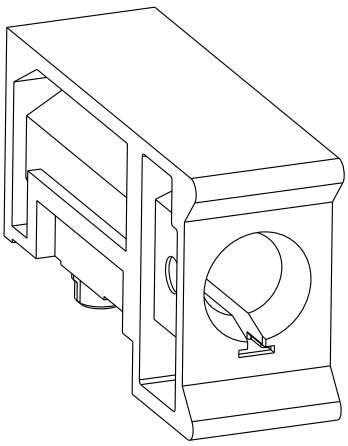
D


A

B

C

D



- ①. MATERIAL: ZINC ALLOY
- ②. FINISH: HOUSING; TRIVALENT CHROMATE IRIDESCENT
ESD CONTACT; 1.27um MINIMUM NICKEL ALL OVER
- 3. APPLICATION SPEC: GS-20-045
- ④. THRU HOLE PLATING AND ANNULAR RINGS MUST BE ADDED AS APPROPRIATE FOR APPLICATIONS WITH THE ESD GROUNDING OPTION. FINISHED HOLE SIZE IS THE SAME REGARDLESS OF PLATED BARREL OR NOT
- ⑤. REFER TO CUSTOMER DRAWING 10035911 FOR INFORMATION REGARDING PCB LAYOUT OF POWER AND GUIDE MODULES RELATIVE TO SIGNAL MODULES
- 6. THIS PRODUCT MEETS EUROPEAN UNION DIRECTIVES AND OTHER COUNTRY REGULATIONS AS DESCRIBED IN GS-22-008.
- 7. PACKAGING MEETS GS-14-920 LEAD FREE LABELING SPECIFICATION.
- 8. A  SYMBOL WOULD BE NEXT TO DIMENSIONS, VIEW OR NOTE WHICH HAS BEEN MODIFIED WITH THE CURRENT DRAWING REVISION



Copyright FCI.

	10.8mm GUIDE MODULE ASSY	dwg no	10084589	Rev.	D
	WITH KEYING OPTIONS	-	CUSTOMER	sheet 3 of 3	
catalog no					