

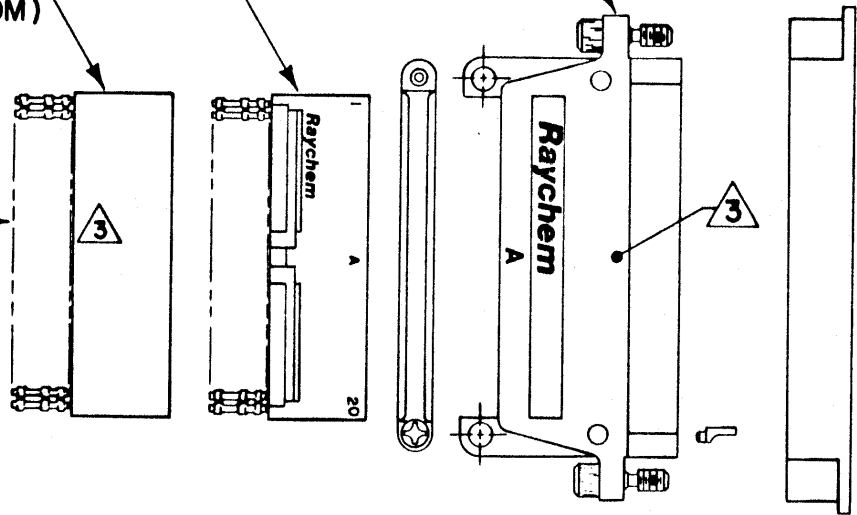
REVISIONS			
LTR	DESCRIPTION	DATE	APPROVED
N/C	INITIAL RELEASE, ECN* T-4029	2-23-83	gβ

HOUSING ASSEMBLY

A WAFER (TOP)

B WAFER (BOTTOM)

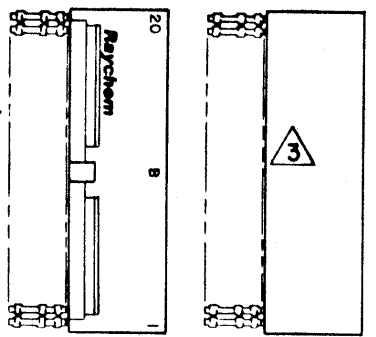
TYPICAL WAFER INSERTION INTO HOUSING



NOTES:

- THIS KIT CONSIST OF THE FOLLOWING ITEMS:
 - MTC100-JH2-P22 HOUSING
 - MTC100-JA2-SI4 A SKT WAFER
 - MTC100-JB2-SI4 B SKT WAFER
 - FOR DETAIL DATA, REFER TO THE APPLICABLE RAYCHEM SPECIFICATION CONTROL DRAWING.
- △ 3 PART NUMBER AND DATE CODE MARKED ON THIS SIDE

REVERSE SIDE OF WAFERS



SPECIFICATION CONTROL DRAWING © Raychem Corporation 1983

DRAWN	<i>Samal</i>	2-23-83	Raychem RAYCHEM CORPORATION 300 CONSTITUTION DRIVE MENLO PARK, CALIFORNIA 94025		
CHECKED					
APPROVED	<i>[Signature]</i>	2-23-83	TITLE KIT, 2", PLUG, SOCKET WAFERS WITH PRE-ASSEMBLED SOLDER-SLEEVE® TERMINATOR, FOR 20-26 AWG ROUND WIRE, 125° C OPERATING TEMPERATURE, MTC100		
APPROVED	<i>[Signature]</i>	2-24-83			
UNLESS OTHERWISE SPECIFIED DIMENSIONS ARE IN INCHES. METRIC DIMENSIONS ARE IN PARENTHESIS			SIZE	CODE IDENT. NO.	DWG. NO.
DO NOT SCALE THIS DRAWING			B	06090	MTC100-KT2-0080
			WEIGHT	SHEET 1 OF 1	

If this document is printed it becomes uncontrolled. Check with the web for latest revision.