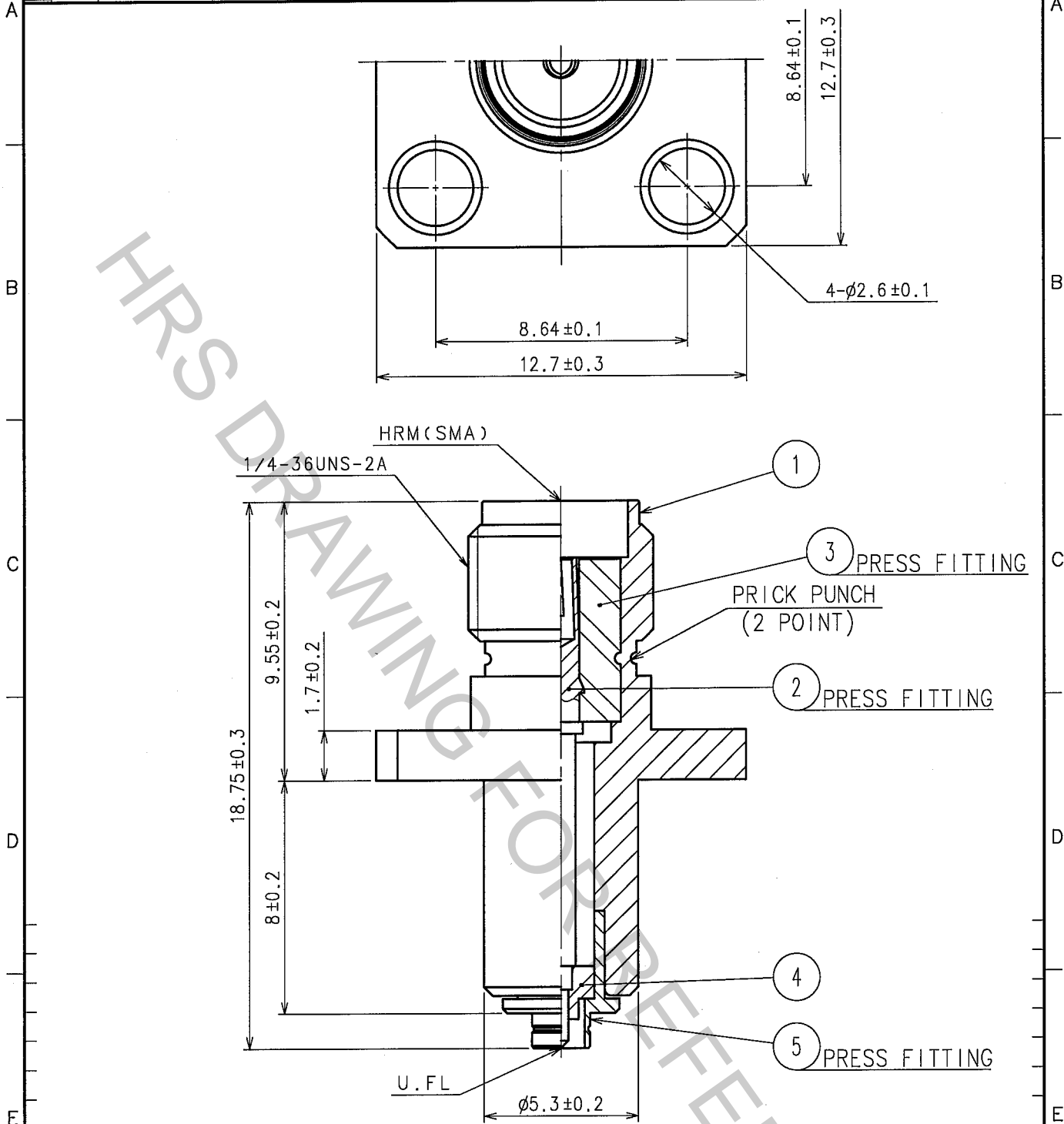


1		2			3			4		
COUNT	DESCRIPTION OF REVISIONS	BY	CHKD	DATE	COUNT	DESCRIPTION OF REVISIONS	BY	CHKD	DATE	
△					△					
△					△					
△					△					



3	PTFE			5	BRASS	NICKEL PLATING
2	BERYLLIUM COPPER	GOLD PLATING		4	PTFE	
1	BRASS	NICKEL PLATING				
NO.	MATERIAL	FINISH, REMARKS		NO.	MATERIAL	FINISH, REMARKS

CODE NO. (OLD)		DRAWN	DESIGNED	CHECKED	APPROVED	RELEASED
RoHS COMPLIANT		R.KIMURA	R.KIMURA	M. Yamane	J. Mitani	
		05.08.11	05.08.11	05.08.23	05.08.26	

TO
RF

 SCALE 5 : 1 UNITS mm	DRAWING NO.	PART NO.
	EDC4-300041-40	HRMJ-U.FLJ-PA-1(40)
 HIROSE ELECTRIC CO.,LTD.	CODE NO.	
	CL311-0364-5-40	1/1