

NOTE 1 THIS PRODUCT IS DELIVERED SEPARATELY.  
 2 AS SHOWN IN THE FIGURE, THIS PRODUCT SHALL BE USED ASSEMBLED TO A CONNECTOR UNIT 'DH3+B-17S'.  
 A CLAMP 'DH-17-CMB(6.3)' IS NEEDED WHEN ASSEMBLING THE UNIT.  
 3 A RECOMMENDED SCREW TIGHTENING FOR COVERS TO BE FROM 0.1 TO 0.15 N · m.

NO.	MATERIAL	FINISH . REMARKS	NO.	MATERIAL	FINISH . REMARKS
3	STAINLESS STEEL	PLATING : NICKEL 0.1 μm MIN.	6	STEEL	TRIVALENT BLACK CHROMATE
2	PC	UL94V-0 BLACK	5	PC	UL94V-0 BLACK
1			4	STAINLESS STEEL	

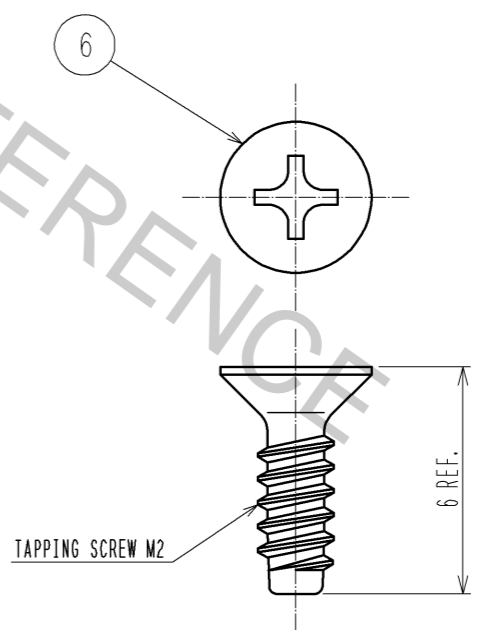
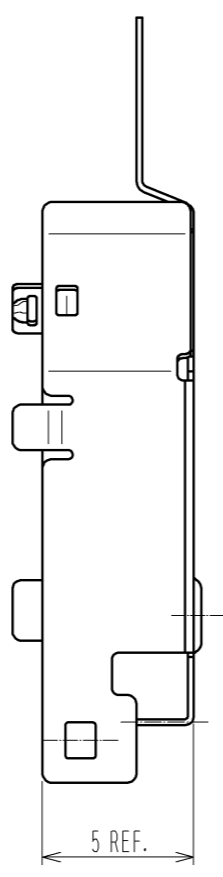
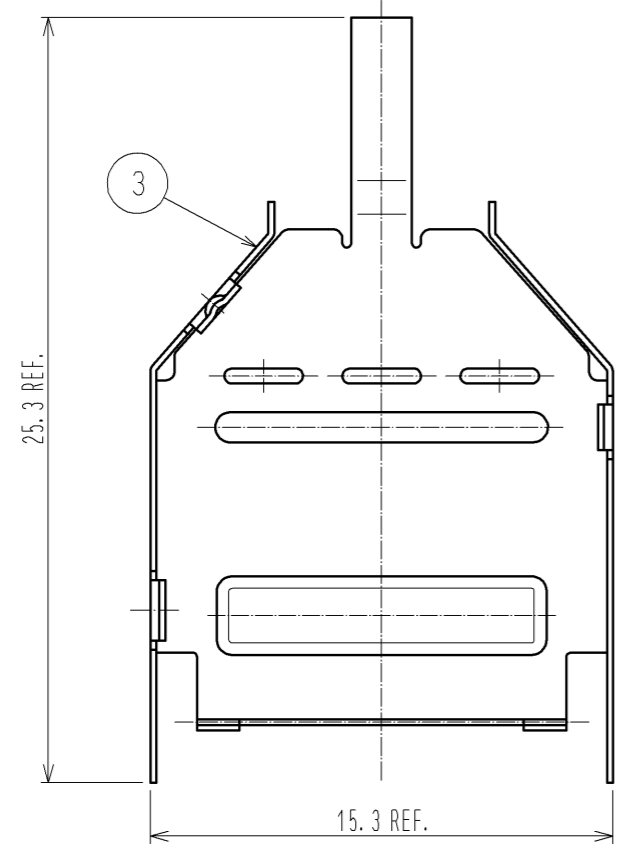
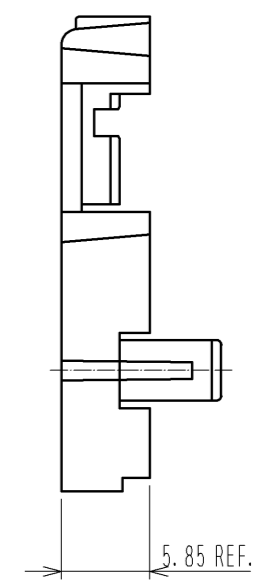
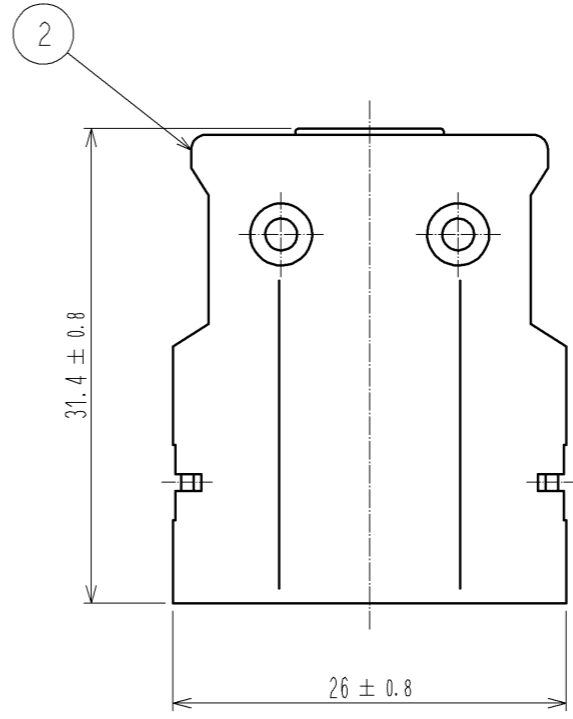
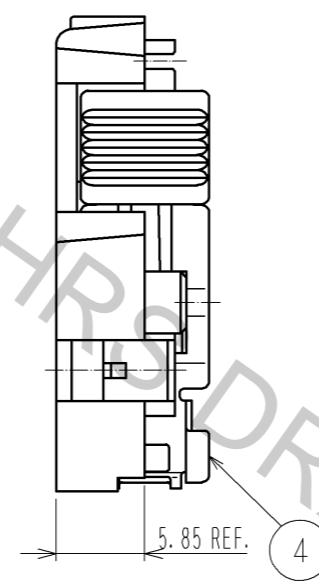
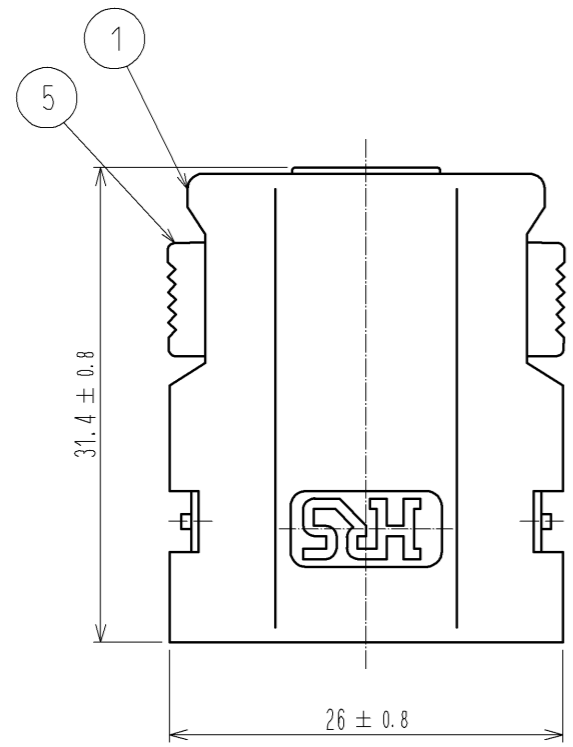
  

UNITS	SCALE	COUNT	DESCRIPTION OF REVISIONS	DESIGNED	CHECKED	DATE
mm	2 : 1	△				
APPROVED : A0. SUZUKI			09.05.11	DRAWING NO. EDC3-126946-00		
CHECKED : KN. ICHIKAWA			09.05.11	PART NO. DH-17-CT2B		
DESIGNED : MO. SHIMOYAMA			09.05.11	CODE NO. CL244-0047-5-00		
DRAWN : MO. SHIMOYAMA			09.05.11	△ 1/2		

1 2 3 4 5 6 7 8

A  
B  
C  
D  
E  
F

A  
B  
C  
D  
E  
F



<b>HRS</b>	DRAWING NO.	EDC3-126946-00	
	PART NO.	DH-17-CT2B	
	CODE NO.	CL244-0047-5-00	